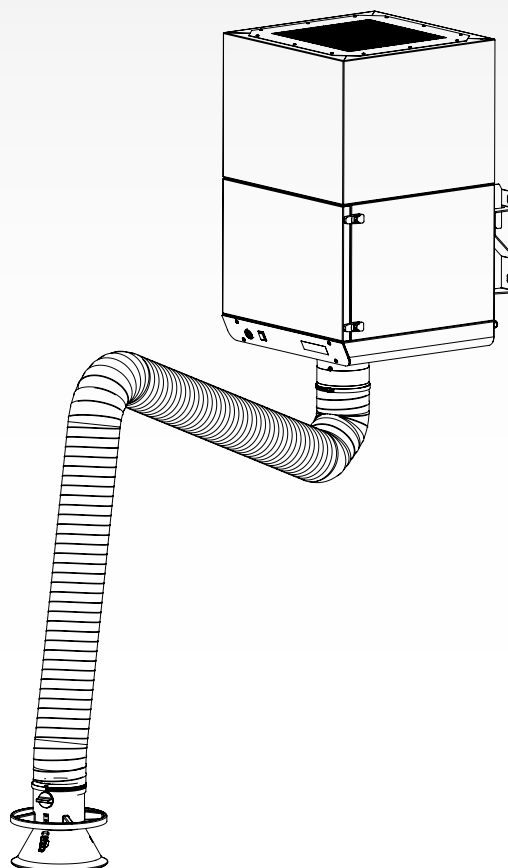


- EN** Stationary welding fume extractor with flexible arm
- NL** Stationaire lasrookafzuiger met flexibele afzuigarm
- DE** Stationärer Schweißrauchabsauger mit flexiblem Arm
- FR** Epurateur fixe des fumées de soudure avec bras flexible
- ES** Aspirador fijo para humos de soldadura con brazo flexible
- PL** Stacjonarny odciąg dymów spawalniczych z ramieniem elastycznym

## MONOGO | MONOGO<sup>PLUS</sup>



- EN** Installation and user manual
- NL** Installatie- en gebruikershandleiding
- DE** Installations- und Betriebsanleitung
- FR** Manuel d'installation et d'utilisation
- ES** Manual de instalación y de uso
- PL** Instrukcja użytkowania i montażu

## **EN – ORIGINAL INSTRUCTION**

All rights reserved. The information given in this document has been collected for the general convenience of our clients. It has been based on general data pertaining to construction material properties and working methods known to us at the time of issue of the document and is therefore subject at any time to change or amendment and the right to change or amend is hereby expressly reserved. The instructions in this publication only serve as a guideline for installation, use, maintenance and repair of the product mentioned on the cover page of this document. This publication is to be used for the standard model of the product of the type given on the cover page. Thus the manufacturer cannot be held responsible for any damage resulting from the application of this publication to the version actually delivered to you. This publication has been written with great care. However, the manufacturer cannot be held responsible, either for any errors occurring in this publication or for their consequences.

*To improve comprehension for people whose first language is not English, we have written parts of this manual in Simplified Technical English (STE). STE is a controlled language originally developed for aerospace industry maintenance manuals. It offers a carefully limited and standardized subset of English, along with specific writing rules.*

## **NL – VERTALING VAN DE OORSPRONKELIJKE GEBRUIKSAANWIJZING**

Alle rechten voorbehouden. De in deze handleiding verstrekte informatie is gebaseerd op algemene gegevens aangaande de ons ten tijde van verschijnen bekende constructies, materiaaleigenschappen en werkmethoden, zodat wijzigingen worden voorbehouden. Om deze reden dienen de gegeven instructies slechts als richtlijn voor het installeren, gebruiken, onderhouden en repareren van het op de voorzijde van dit document vermelde product. Deze handleiding is geldig voor het product in de standaard uitvoering. De fabrikant kan derhalve niet aansprakelijk worden gesteld voor eventuele schade voortvloeiend uit de van de standaard uitvoering afwijkende specificaties van het aan u geleverde product. Deze handleiding is met alle mogelijke zorg samengesteld, maar de fabrikant kan geen verantwoording op zich nemen voor eventuele fouten in deze handleiding of voor de gevolgen daarvan.

## **DE – ÜBERSETZUNG DER ORIGINALBETRIEBSANLEITUNG**

Alle Rechte vorbehalten. Die in dieser Anleitung enthaltenen Informationen basieren auf allgemeinen Daten bezüglich der Konstruktion, der Materialeigenschaften und der Arbeitsmethoden, die uns zur Zeit der Veröffentlichung bekannt waren; Änderungen werden somit vorbehalten. Aus diesem Grunde dienen die gegebenen Vorschriften nur als Leitfaden für das Installieren, Benutzen, Warten und Reparieren des auf der Vorderseite dieser Anleitung angegebenen Produktes. Diese Ausgabe gilt für die Standardausführung des Produktes. Der Hersteller haftet daher nicht für eventuelle Schäden, die sich aus der Anwendung dieser Ausgabe auf Ihr von der Standardausführung abweichendes Produkt ergeben. Diese Ausgabe wurde mit größter Sorgfalt zusammengestellt. Der Hersteller haftet jedoch nicht für eventuelle Fehler in dieser Ausgabe oder für daraus resultierende Folgen.

## **FR – TRADUCTION DE LA NOTICE ORIGINALE**

Tous droits réservés. Le présent manuel a été mis au point à partir de données relatives à la construction, aux caractéristiques des matériaux et aux méthodes de production dont nous étions au courant à la parution du manuel. Le manuel est donc sujet à modification à tout moment et nous nous réservons explicitement le droit à une telle modification. Pour la même raison, ce manuel servira simplement de guide à l'installation, l'emploi, l'entretien et la réparation du produit figurant en première page de couverture de ce document. Le présent manuel s'applique au modèle standard du produit. Par conséquent, le fabricant n'est pas responsable pour les dommages éventuels découlant de l'application de ce document aux modèles non standard des produits livrés. Nous avons apporté tous nos soins à la rédaction de ce manuel, mais le fabricant ne peut pas accepter la responsabilité pour les erreurs éventuelles ni pour les dommages qui en découlent.

## **ES – TRADUCCIÓN DEL MANUAL ORIGINAL**

Todos los derechos reservados. La información proporcionada en este documento se ha recopilado para el interés general de nuestros clientes. Se ha basado en datos generales referentes a las propiedades del material de construcción y los métodos de trabajo que conocemos en el momento de la publicación del documento y, por consiguiente, están sujetos en cualquier momento a cambios o correcciones, por lo que por la presente nos reservamos el derecho a hacer cambios o correcciones. Las instrucciones de esta publicación sólo sirven como pauta para la instalación, uso, mantenimiento y reparación del producto mencionado en la portada de este documento. Esta publicación se deberá usar para el modelo estándar del producto de la clase indicada en la portada. Por tanto, no se podrá responsabilizar al fabricante de ningún daño derivado de la utilización de esta publicación en la versión que se le ha entregado a Ud. Esta publicación se ha escrito con sumo cuidado. Sin embargo, no se podrá responsabilizar al fabricante ni por los errores que haya en esta publicación ni por sus consecuencias.

## **PL – TŁUMACZENIE ORYGINALNEJ INSTRUKCJI**

Wszelkie prawa zastrzeżone. Informacje zawarte w niniejszym dokumencie zostały zebrane dla ogólnej wygody naszych klientów. Został on oparty na ogólnych danych dotyczących właściwości użytych materiałów konstrukcyjnych i metod pracy znanych nam w momencie wystawienia dokumentu i może podlegać zmianie. Prawo do zmiany lub uzupełnienia zostaje niniejszym wyraźnie zastrzeżone. Instrukcje zawarte w niniejszej publikacji służą jedynie jako wytyczne dla instalacji, eksploatacji, konserwacji i napraw produktu wymienionego na stronie tytułowej niniejszego dokumentu. Instrukcja ta ma być stosowana do standardowego modelu produktu, typu podanego na pierwszej stronie. W ten sposób producent nie może ponosić odpowiedzialności za szkody wynikłe ze stosowania niniejszej instrukcji do wersji faktycznie dostarczonej do użytkownika. Niniejsza instrukcja została napisana z wielką starannością. Jednak producent nie może być pociągnięty do odpowiedzialności za jakiegokolwiek błędy zawarte w niniejszej instrukcji lub ich konsekwencje.












## PREFACE

### Using this manual

This manual is intended to be used as a work of reference for professional, well trained and authorised users to be able to safely install, use, maintain and repair the product mentioned on the cover of this document.

### Pictograms and symbols

The following pictograms and symbols are used in this manual:

	<b>TIP</b> Suggestions and recommendations to simplify carrying out tasks and actions.
	<b>ATTENTION</b> A remark with additional information for the user. A remark brings possible problems to the user's attention.
	<b>CAUTION!</b> Procedures, if not carried out with the necessary caution, could damage the product, the workshop or the environment.
	<b>WARNING!</b> Procedures which, if not carried out with the necessary caution, may damage the product or cause serious personal injury.
	<b>CAUTION!</b> Denotes risk of electric shock.
	<b>WARNING!</b> Fire hazard! Important warning to prevent fire.
	<b>WARNING!</b> Explosion hazard! Important warning to prevent explosions.
	<b>Personal protective equipment (PPE)</b> Instruction to use respiratory protection when you do service, maintenance and repair jobs, as well as during functional testing. We recommend to use a half-face respirator according to EN 149:2001 + A1:2009, classe FFP3 (Directive 89/686/EEC).
	<b>Personal protective equipment (PPE)</b> Instruction to use protective gloves when you do service, maintenance and repair jobs.

### Text indicators

Listings indicated by “-” (hyphen) concern enumerations.  
Listings indicated by “•” (bullet point) describe steps to perform.

### Service and technical support

For information about specific adjustments, maintenance or repair jobs which are not dealt with in this manual, please contact the supplier of the product. He will always be willing to help you. Make sure you have the following specifications at hand:

- product name
- serial number

You can find these data on the identification plate.

### Product indications

Unless specifically stated, the contents of this manual applies to the MonoGo as well as the MonoGo<sup>plus</sup>.

## 1 INTRODUCTION

### 1.1 Identification of the product

The identification plate contains, among other things, the following data:

- product name
- serial number
- supply voltage and frequency
- power consumption

### 1.2 General description

The MonoGo is a stationary filter unit with an integrated fan and an extraction arm. It features a pre filter cassette and a HEPA filter cassette (both disposable).

#### 1.2.1 Intensity of use

We recommend to use the MonoGo for occasional welding<sup>1</sup> and TIG welding. The MonoGo<sup>plus</sup> is suitable for occasional to regular welding activities<sup>2</sup>.

### 1.3 Options and accessories

The following products can be obtained as an option and/or accessory:

- Outlet flange for duct connection Ø 250 mm (10 in.)

### 1.4 Technical specifications

	MonoGo	MonoGo <sup>plus</sup>		
<b>Physical dimensions and properties</b>				
Material (housing)	electro-zinc coated steel			
Weight (excl. arm)	78 kg (172 lbs)	79,5 kg (175 lbs)		
<b>Filters</b>				
Pre filter cassette:				
- material	polyester	polyester		
- filter surface	1 m <sup>2</sup> (10.8 ft <sup>2</sup> )	1 m <sup>2</sup> (10.8 ft <sup>2</sup> )		
- filter classification	ISO Coarse 70% according to ISO 16890	ISO Coarse 70% according to ISO 16890		
HEPA filter cassette:				
- material	glass fibre	glass fibre		
- filter surface	15 m <sup>2</sup> (161 ft <sup>2</sup> )	26 m <sup>2</sup> (280 ft <sup>2</sup> )		
- efficiency class	E12 according to EN 1822-1:2009	E12 according to EN 1822-1:2009		
Washable	no	no		
<b>Extraction arm</b>				
Type	hose tube arm (EconomyArm)	metal tube arm (KUA)		
Length	2, 3 or 4 m		2, 3 or 4 m	
Diameter	Ø 160 mm (6.3 in.)			
Weight	<b>Type</b>	<b>Weight</b>	<b>Type</b>	<b>Weight</b>
	EA-2	11 kg (24.3 lbs)	KUA-2	13,5 kg (29.8 lbs)
	EA-3	13 kg (28.7 lbs)	KUA-3	17 kg (37.5 lbs)
	EA-4	15 kg (33.1 lbs)	KUA-4	18 kg (39.7 lbs)
<b>Fan</b>				
Fan type	radial			
Extraction capacity	max. 850 m <sup>3</sup> /h (500 CFM)			
Fan speed	2800 rpm			

1. approx. 1 coil of solid wire or 7,5 kg (16.5 lbs) of electrodes per month

2. approx. 2 coils of solid wire or 15 kg (33 lbs) of electrodes per month



Noise level	67 dB(A) according to ISO 3746
<b>Electrical data</b>	
Power consumption	1,1 kW (1.5 HP)
Available connection voltages	- 115V/1ph/50Hz - 230V/1ph/50Hz
Switch box	24V
Motor design	IEC
Energy efficiency	n.a.
Mains cord	not included
Plug	not included
<b>Welding fume class</b>	
W3	according to ISO 15012-1:2013

#### 1.4.1 Dimensions

Refer to Fig. I on page 52.

#### 1.5 Working range

Refer to Fig. II on page 52.

#### 1.6 Ambient and process conditions

Process temperature:	
- min.	5°C (41°F)
- nom.	20°C (68°F)
- max.	70°C (158°F)
Max. relative humidity	90%
Suitable for outdoor use	no

#### 1.7 Transport of the unit

You cannot hold the manufacturer liable for any transportation damage after delivery of the product.

- Handle the filter unit and the accompanying extraction arm with care.
- Completely dismount the extraction arm before transport. Dismount the arm by executing the mounting procedure in reverse order. Subsequently the filter unit and the arm can be transported on a pallet in the original packing.
- To prevent damage, make sure that the filter unit and the arm cannot shift on the pallet.

## 2 PRODUCT DESCRIPTION

### 2.1 Components

The product consists of the following main components and elements:

Fig. 2.1

- A fan + motor
- B HEPA filter cassette
- C pre filter cassette
- D extraction arm (shown: hose tube arm)
- E switch box
- F shut-off damper

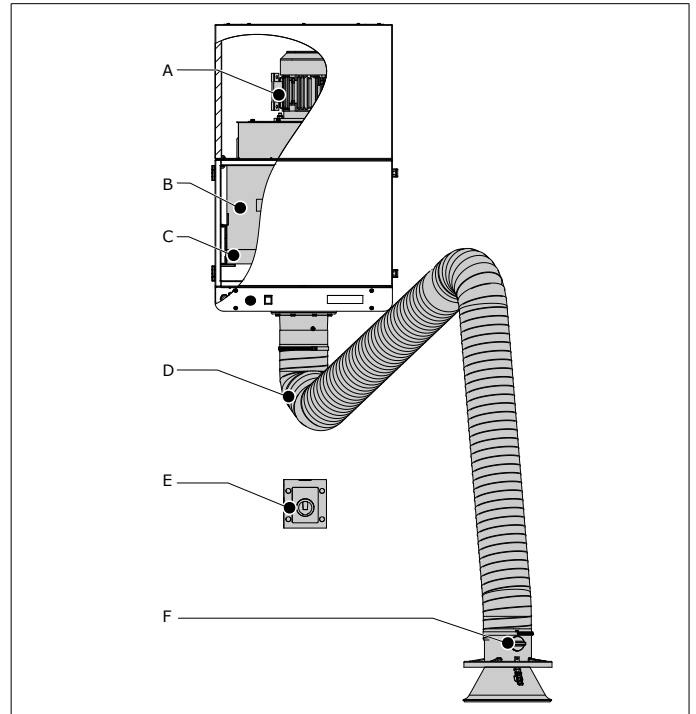


Fig. 2.1 Main components and elements

### 2.2 Operation

The MonoGo works in accordance with the recirculation principle. Welding fume is extracted through the hood of the connected extraction arm by the built-in fan. The polluted air passes the pre filter cassette and is cleaned by the HEPA filter cassette.

The cleaned air is returned in the workshop through the outlet grid on top of the unit.

#### 2.2.1 Indication of filter replacement

The MonoGo has a service indicator that monitors the airflow. It gives an acoustic signal to replace the filter(s).

## 3 SAFETY INSTRUCTIONS

### General

The manufacturer does not accept any liability for damage to the product or personal injury caused by ignoring of the safety instructions in this manual, or by negligence during installation, use, maintenance, and repair of the product mentioned on the cover of this document and any corresponding accessories.

Specific working conditions or used accessories may require additional safety instructions. Immediately contact your supplier if you detect a potential danger when using the product.

**The user of the product is always fully responsible for observing the local safety instructions and regulations. Observe all applicable safety instructions and regulations.**

### User manual

- Everyone working on or with the product, must be familiar with the contents of this manual and must strictly observe the instructions therein. The management should instruct the personnel in accordance with the manual and observe all instructions and directions given.
- Do not change the order of the steps to perform.
- Keep the manual with the product.

## Users

- The use of this product is exclusively reserved to authorised, trained and qualified users. Temporary personnel and personnel in training can only use the product under supervision and responsibility of skilled engineers.
- Stay alert and keep your attention to your work. Do not use the product when you are under the influence of drugs, alcohol or medicine.
- The product is not to be used by children or persons with reduced physical, sensory or mental capabilities, or lack of experience and knowledge, unless they have been given supervision or instruction.
- Children must be supervised not to play with the product.

## Intended use<sup>3</sup>

The product has been designed exclusively for extracting and filtering gases and particles which are released during the most common welding processes. Using the product for other purposes is considered contrary to its intended use. The manufacturer accepts no liability for any damage or injury resulting from such use. The product has been built in accordance with state-of-the-art standards and recognised safety regulations. Only use this product when in technically perfect condition in accordance with its intended use and the instructions explained in the user manual.

## Technical specifications

Do not change the specifications given in this manual.

## Modifications




Modification of (parts of) the product is not allowed.

## Installation

- The installation of this product is exclusively reserved to authorised, trained and qualified engineers.
- The electric connection must be executed in accordance with the local codes and requirements. Ensure compliance with the EMC regulatory arrangements.
- During installation, always use Personal Protective Equipment (PPE) to avoid injury. This also applies to persons who enter the work area during installation.
- Use sufficient climbing gear and safety guards when working on a higher level than 2 metres (local restrictions may apply).
- Do not install the product in front of entrances and exits which must be used for emergency services.
- Mind any gas and water pipes and electric cables.
- Make sure that the workspace is well illuminated.
- Stay alert and keep your attention to your work. Do not install the product when you are under the influence of drugs, alcohol or medicine.
- Air containing particles such as chromium, nickel, beryllium, cadmium, lead etc., should never be recycled. This air must always be brought outside the working area.

3. "Intended use" as explained in EN-ISO 12100-1 is the use for which the technical product is suited as specified by the manufacturer, inclusive of his directions in the sales brochure. In case of doubt it is the use which can be deduced from the construction, the model and the function of the technical product which is considered normal use. Operating the machine within the limits of its intended use also involves observing the instructions in the user manual.





## Use

	<b>WARNING!</b> Fire hazard! Do <b>not</b> use the product for: <ul style="list-style-type: none"><li>- polishing applications in combination with grinding, welding or any other application that generate sparks (fibers from polishing or abrasive flap disks are highly flammable and pose a high risk of filter fires when exposed to sparks)</li><li>- arc-air gouging</li><li>- extracting and/or filtering flammable, glowing or burning particles or solids or liquids</li><li>- extracting and/or filtering of aggressive fumes (such as hydrochloric acid) or sharp particles</li><li>- extracting and/or filtering dust particles which are released when welding surfaces treated with primer</li><li>- sucking cigarettes, cigars, oiled tissues, and other burning particles, objects, and acids</li></ul>
	<b>WARNING!</b> Explosion hazard! Do <b>not</b> use the product for explosion-hazardous applications, e.g.: <ul style="list-style-type: none"><li>- aluminium laser cutting</li><li>- grinding aluminium and magnesium</li><li>- explosive environments or explosive substances/gases</li></ul>
	<b>WARNING!</b> Do <b>not</b> use the product for: <ul style="list-style-type: none"><li>- extraction of hot gases (more than 70°C/158°F continuously)</li><li>- flame spraying</li><li>- oil mist</li><li>- heavy oil mist in welding fume</li><li>- extraction of cement, saw dust, wood dust etc.</li></ul>


- Inspect the product and check it for damage. Verify the functioning of the safety features.
- During use, always use Personal Protective Equipment (PPE) to avoid injury. This also applies for persons who enter the work area.
- Check the working environment. Do not allow unauthorised persons to enter the working environment.
- Protect the product against water and humidity.
- Make sure the room is always sufficiently ventilated; this applies especially to confined spaces.
- Make sure that the workshop, in the vicinity of the product, contains sufficient approved fire extinguishers (suitable for fire classes ABC).
- Do not leave any tools or other objects in or on the unit.
- The welding current return circuit between the workpiece and the welding machine has a low resistance. Thus avoid connection between the workpiece and the MonoGo, so that there is no possibility of the welding current flowing back to the welding machine via the protective earth conductor of the MonoGo.

## Service, maintenance and repairs

- Obey the maintenance intervals given in this manual. Overdue maintenance can lead to high costs for repair and revisions and can render the guarantee null and void.
- Always use Personal Protective Equipment (PPE) to avoid injury. This also applies for persons who enter the work area.
- Make sure the room is sufficiently ventilated.
- Use tools, materials, lubricants and service techniques which have been approved by the manufacturer. Never use worn tools and do not leave any tools in or on the product.
- Use sufficient climbing gear and safety guards when working on a higher level than 2 metres (local restrictions may apply).
- Clean the area afterwards.

	<b>ATTENTION</b> Service, maintenance and repairs must be performed in accordance with directive TRGS 560 and TRGS 528 by authorised, qualified and trained persons (skilled) using appropriate work practices.
	<b>ATTENTION</b> Before you carry out service, maintenance and/or repair jobs: - fully disconnect the unit from the mains
	<b>Personal protective equipment (PPE)</b> Wear respiratory protection and protective gloves during service, maintenance and repairs.
	<b>WARNING</b> The industrial vacuum cleaner that you use during service and maintenance must meet dust class H according to EN 60335-2-69 or HEPA class (efficiency $\geq 99.97\%$ at $0.3 \mu\text{m}$ ).

### 4.3 Stationary filter unit

	<b>ATTENTION!</b> Before you install the unit, make sure that the wall is strong enough. Refer to section 1.4 for the weight of the unit.
---	--

- Refer to Fig. III on page 52 for the recommended installation height and the hole pattern of the wall bracket.

To install the wall bracket, do the following.

Fig. 4.1

- The wall bracket is temporarily attached to the unit by a cable tie. Cut the cable tie.
- Install the wall bracket (B) to the wall. Use all 4 mounting points.
- Lift the unit and insert the hooks (A) in the slots of the wall bracket.
- Attach the unit to the wall bracket with the bolts, locknuts and washers (C).

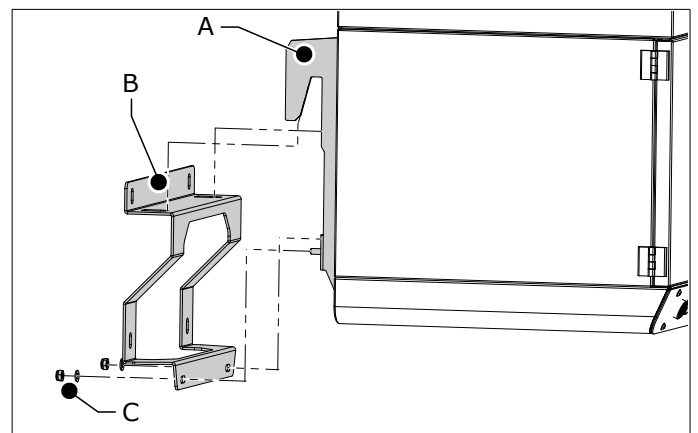


Fig. 4.1 Mounting of the wall bracket

## 4 INSTALLATION

### 4.1 Tools and requirements

You need the following tools and requirements to install the unit:

- basic tools
- fork-lift truck

#### 4.1.1 To be sourced locally

- wall mounting hardware<sup>4</sup>
- mains cord 3G1.5 (3x1,5 mm<sup>2</sup>)
- cable gland M20 (2)
- option: plug<sup>5</sup>

### 4.2 Unpacking

Make sure that the product is complete. The package contains:

#### Filter unit

- stationary filter unit, incl. wall bracket
- bolt M10x30 (2) + locknut M10 (2) + washer (4)
- washer M6 (8)
- bolt M6x25 (8)

#### Extraction arm

##### In case of MonoGo: hose tube arm

- extraction arm (pre-assembled; excl. hose tube)
- hose tube
- hose clamp (2)
- rotating flange
- arm swivel ring, incl. rubber collar
- extraction hood
- hood collar with safety mesh
- washer M20
- hexagon bolt M6x25 (4)

##### In case of MonoGo<sup>plus</sup>: metal tube arm

- extraction arm (pre-assembled)
- rotating flange
- arm swivel ring, incl. rubber collar
- extraction hood
- hood collar with safety mesh
- washer M20
- hexagon bolt M6x25 (4)

#### Control equipment

- switch box

### 4.4 Arm to stationary unit

To install the extraction arm, do the following.


	<b>TIP</b> Do a balance check of the arm before you fasten the hoses. Refer to section 6.3.
---	--

Fig. 4.2

- Remove the locknut M20 (A) from the hinge rod (E).
- In case of a hose tube arm: put the hose tube over the internal rods of the arm.
- Move the hose clamp (F) and the arm swivel ring (incl. rubber collar) (D) over the hinge rod (E).
- Put the washer M20 (C) on the arm swivel ring (D).
- Put the hinge rod (E) in the rotating flange (B).
- Put the hose (G) over the arm swivel ring (D).
- Use the rubber collar to make the connection airtight.
- Attach the hose (G) to the swivel ring (D) with the hose clamp (F).
- Put the locknut M20 (A) on the hinge rod (E) and tighten it.
- Install the assembly to the filter unit with the 8 bolts M6x25 + washers M6.

4. The type of hardware depends on the wall type

5. Alternative: direct connection to the mains + additional main switch

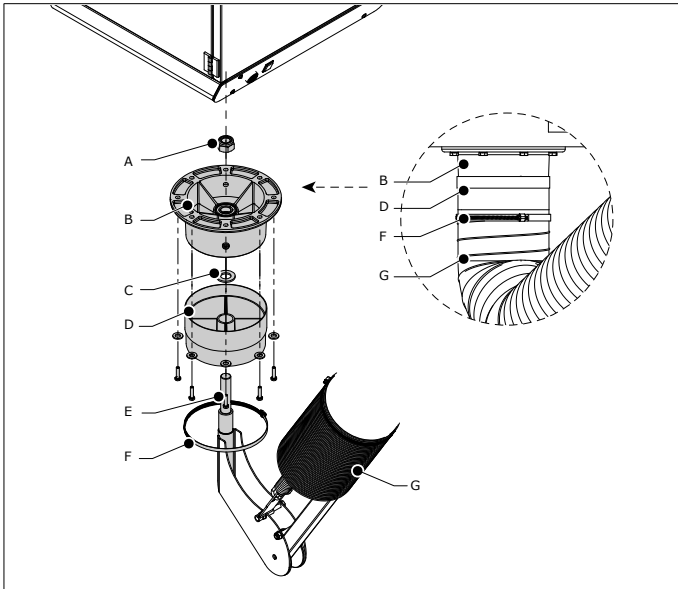


Fig. 4.2 Arm to stationary unit

#### 4.5 Mounting of the hood

To install the extraction hood, do the following.

*Hose tube arm (EconomyArm): refer to Fig. 4.3*

*Metal tube arm (KUA): refer to Fig. 4.4*

- Loosen the mounting material that is attached to the hood hinge.
- Install the extraction hood (G) with the bolt (F), 2 washers (E), 2 spring washers (D) and a locknut (C).
- Install the hood collar (H) to the hood (G). Fasten it with the clip.
- Install the hose tube (A) to the hood.
- Fasten the hose tube with a hose clamp (B).

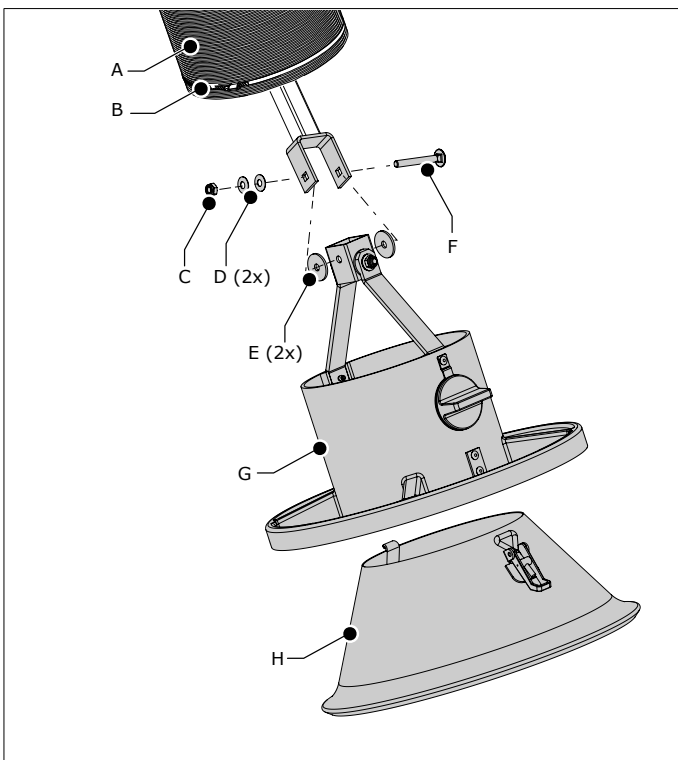


Fig. 4.3 Hood mounting (hose tube arm)

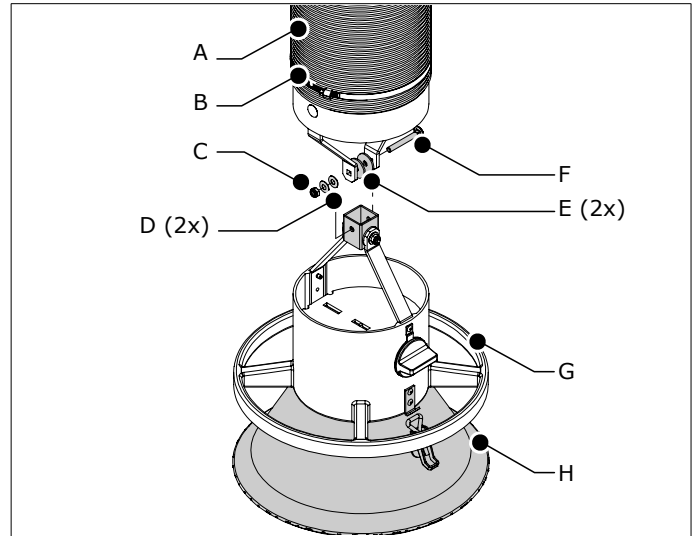


Fig. 4.4 Hood mounting (metal tube arm)

#### 4.6 Switch box

- Install the switch box at an appropriate position.
- Connect the switch box to the filter unit and to the mains in accordance with the separately supplied electrical diagram.

## 5 USE



#### WARNING!

Fire hazard! Do **not** use the product for polishing applications in combination with grinding, welding or any other application that generate sparks.  
**Refer to chapter 3 / Safety instructions / Use.**

#### 5.1 Control panel

The MonoGo has a separate switch box to put the unit on and off. Controls and indicators:

Fig. 5.1

- A Buzzer (service indicator)
- B Indicator light
- C Switch box with rotary switch 0-1

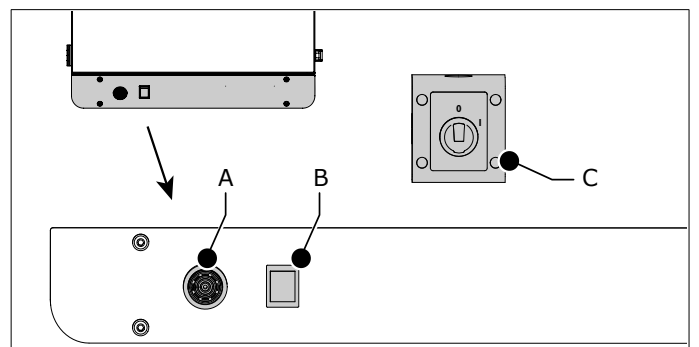



Fig. 5.1 Controls and indicators

#### 5.2 Use


- Position the hood of the connected extraction arm at 400-800 mm (16-32 in.) from the source of pollution. Refer to Fig. IV on page 53 for the correct position.
- Make sure that the shut-off damper (ref. Fig. 2.1F) is open.
- Put the unit on (ref. Fig. 5.1C).
- Start welding.

- When the welding position changes, move the hood to the correct position in relation to the weld.

	<b>WARNING</b> To keep the welding fume away from the breathing zone of the welder, make sure that all fume is extracted through the hood.

- Put the unit off approx. 20 seconds after you have finished welding.


When the airflow is too low during use, the buzzer (ref. Fig. 5.1A) emits an acoustic alarm. Refer to chapter 7 to find the possible cause and the solution.

	<b>ATTENTION</b> If you do not replace the pre filter and/or the HEPA filter cassette in time, the airflow (extraction capacity) further drops.

## 6 MAINTENANCE

### 6.1 Periodic maintenance

The product has been designed to function without problems for a long time with a minimum of maintenance. In order to guarantee this some simple, regular maintenance and cleaning activities are required which are described in this chapter. If you observe the necessary caution and carry out the maintenance at regular intervals, any problems occurring will be detected and corrected before they lead to a total breakdown.

	<b>WARNING</b> Overdue maintenance can cause fire.


The indicated maintenance intervals can vary depending on the specific working and ambient conditions. Therefore we recommend to thoroughly inspect the complete product once every year beside the indicated periodic maintenance. For this purpose contact your supplier.

Component	Action	Frequency: every X months	
		X=6	X=12
<b>Filter unit</b>			
Housing	Clean the outside with a non-aggressive detergent		X
	Clean the inside with an industrial vacuum cleaner and remove dust from the filter compartment		X
	Check sealing material of the door. Replace if necessary		X
Extraction fan	Check for encrusted particles. Clean if necessary		X
Mains cord	Check for damage. Repair or replace if necessary	X *)	
<b>Extraction arm</b>			
Tubes	Clean the outside with a non-aggressive detergent	X	
	Clean the inside thoroughly	X	
Flexible hoses	Check for cracks or damages. Replace if necessary	X	
Hood	Check the movement of the hood. If necessary, adjust the friction; refer to section 6.3	X	

Component	Action	Frequency: every X months	
		X=6	X=12
Arm movement	Check horizontal, vertical and diagonal arm movement. If necessary, adjust the friction; refer to section 6.3	X	
*) Before every use			





### 6.2 Filter replacement

The buzzer emits an acoustic signal when the airflow is too low.

	Make sure that:
	- the shut-off damper is open - the extraction arm is not fully folded

When the buzzer still continues, you must replace the filter cassette(s).

As the pre filter is smaller and becomes more quickly saturated than the HEPA filter, you can replace the pre filter cassette several times before you finally need to replace the HEPA filter cassette.

		<b>Personal protective equipment (PPE)</b> Wear respiratory protection and protective gloves when you replace the filter cassettes.
	<b>WARNING</b> Do <b>not</b> replace the filter cassettes while the fan is running.	
	<b>WARNING</b> Do <b>not</b> shake out or (vacuum) clean the used filter cassettes to avoid the release of particles.	

#### 6.2.1 Pre filter cassette

To replace the pre filter cassette, do the following.

Fig. 6.1

- De-energize the unit.
- Open the door (A).
- Remove the pre filter cassette (B).
- Dispose of the used filter cassette in accordance with state or local regulations.
- Put a new pre filter cassette in the unit. Make sure that the arrow on the frame points upwards<sup>6</sup>.
- Close and lock the door.

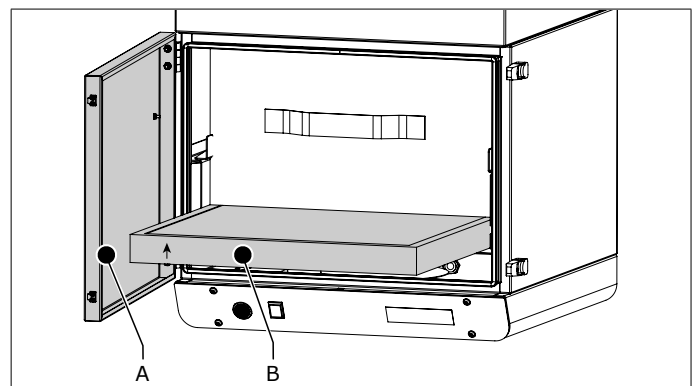
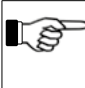


Fig. 6.1 Replacement of the pre filter cassette

6. The arrow indicates the airflow direction

 When the buzzer continues to beep after you have replaced the pre filter cassette, it is time to replace the HEPA filter cassette.

### 6.2.2 HEPA filter cassette

To replace the HEPA filter cassette, do the following.

Fig. 6.2

- De-energize the unit.
- Open the front door (A).
- Remove the pre filter cassette.
- Loosen the wingnuts (C) and put the clips (B) in the upright position. Make sure that the handle of the wingnut is in a vertical position.
- Gently pull and remove the HEPA filter cassette (D).
- Dispose of the used HEPA filter cassette in accordance with state or local regulations.

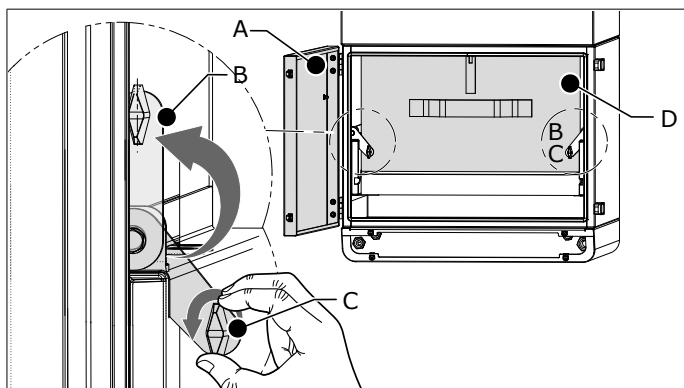


Fig. 6.2 Removal of the HEPA filter cassette

Fig. 6.2

- Put a new HEPA filter cassette in the unit. The side pins exactly fit in the slits (A) inside the housing.
- Lock the HEPA filter cassette with the clips (B). Make sure to push the clips in the slits (angle 45°).
- Tighten the wingnuts.
- Put the pre filter cassette back in the housing. Make sure that the arrow on the frame points upwards<sup>7</sup>.
- Close and lock the door.

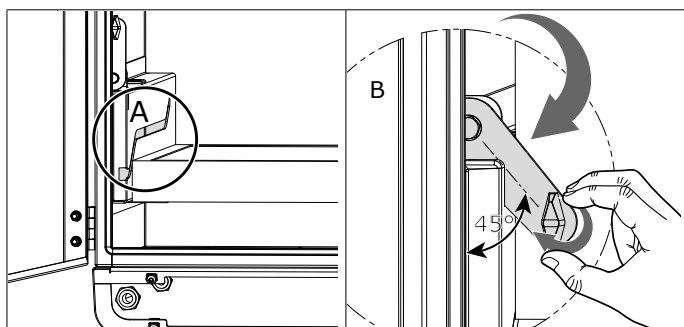


Fig. 6.3 Slits + clips (left + right)

## 6.3 Arm adjustment

If the extraction arm, or a part of it, does not stay in the desired position, you must adjust the friction.

### 6.3.1 Hose tube arm (EconomyArm)

- Determine which joint needs more or less friction.
- Loosen the hose tube to get access to the hinges.
- Pull the arm in a horizontal position.
- Adjust the friction; refer to Fig. VI on page 54 for the adjustment points.

### 6.3.2 Metal tube arm (KUA)

- Determine which joint needs more or less friction.
- Loosen the hose at that position to get access to the hinge.
- Pull the arm in a horizontal position.
- Adjust the friction; refer to Fig. VI on page 54 for the adjustment points.

## 7 TROUBLESHOOTING

If the unit does not function (correctly), consult the checklist below to see if you can remedy the error yourself. Should this not be possible, contact your supplier.



### WARNING

Obey the safety regulations that are written in chapter 3 when you carry out the activities below.

Symptom	Problem	Possible cause	Solution
The fan does not start	The unit does not function	No mains voltage	Connect the mains voltage
		Thermal overload protection is activated	- Examine the fan and motor to find the cause and remedy the problem - Push the red button behind the front panel to reset. Refer to Fig. V on page 53
		The mains cord is defective	Repair or replace the mains cord
		Loose contacts	Repair the contacts
The green LED is on but the fan does not run	The unit does not function	Motor defective	Repair or replace the motor
		Relay is defective	Replace the relay
		Thermal relay is defective	Replace the thermal relay
Poor extraction capacity	The unit does not function properly	Motor defective	Repair or replace the motor
		The shut-off damper in the hood of the extraction arm is (partly) closed	(Fully) open the shut-off damper
		Clogged filters & loose connection of pressure sensor	Repair the connection of the pressure tubes
The buzzer emits an acoustic signal	Poor extraction capacity	Clogged filters & defective pressure sensor	Replace the pressure sensor & the pre filter cassette
		The HEPA filter is clogged	Replace the HEPA filter cassette as well
The buzzer emits an acoustic signal	Poor extraction capacity	The pre filter is clogged	Replace the pre filter cassette
		The HEPA filter is clogged	Replace the HEPA filter cassette

7. The arrow indicates the airflow direction. An incorrectly placed pre filter cassette affects the filter lifetime.

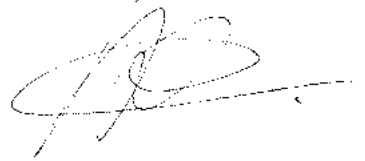


Symptom	Problem	Possible cause	Solution
The extraction arm does not stay in the desired position	Escape of fume; no proper extraction	Friction setting is not correct	Adjust the friction; refer to Fig. VI on page 54 for the adjustment points
You cannot get the arm in the desired position			

which this declaration refers to, are in accordance with the conditions of the following Directives:

- Machine Directive 2006/42 EC
- EMC 2014/30 EU
- LVD 2014/35 EU
- ErP Directive 2009/125 EC

Signature:



Name: M.S.J. Ligthart  
 Position: Product Manager  
 Date of issue: 1st May 2018

## 8 SPARE PARTS

### 8.1 Filter unit

The following spare filters are available for the filter unit;  
 - refer to exploded view Fig. IX on page 59

### 8.2 Extraction arm



The following spare parts are available for the extraction arms;  
 - hose tube arm (EconomyArm): refer to exploded view Fig. VII on page 55  
 - metal tube arm (KUA): refer to exploded view Fig. VIII on page 57

## 9 ELECTRICAL DIAGRAM

Refer to the separately supplied electrical diagram.

## 10 DISPOSAL

Dismantling and disposal of the unit must be done by qualified persons.

 	<p><b>Personal protective equipment (PPE)</b>          Wear respiratory protection and protective gloves when you dismantle and dispose of the unit.</p>
--	--

### 10.1 Dismantling

To safely dismantle the unit, obey the safety instructions that follow.

Before dismantling of the unit:

- disconnect it from the mains
- clean the outside

During dismantling of the unit:

- make sure that the area is sufficiently ventilated, e.g. by a mobile ventilation unit

After dismantling of the unit:

- clean the dismantling area

### 10.2 Disposal

Dispose of the pollutants and dust, together with the used filters, in a professional manner in accordance with federal, state or local regulations.

## CE DECLARATION

### CE declaration of conformity for machinery

We, Plymovent Manufacturing B.V., Koraalstraat 9, 1812 RK Alkmaar, Netherlands, herewith declare, on our own responsibility, that the products:

- MonoGo
- MonoGo<sup>plus</sup>

## VOORWOORD

### Gebruik van deze handleiding

Deze handleiding is bedoeld als naslagwerk waarmee professionele, geschoolde en daartoe bevoegde gebruikers het aan de voorzijde van dit document vermelde product op veilige wijze kunnen installeren, gebruiken, onderhouden en repareren.

### Pictogrammen en symbolen

In deze handleiding worden de volgende pictogrammen en symbolen gebruikt:

	<b>TIP</b> Suggesties en adviezen om de betreffende taken of handelingen gemakkelijker te kunnen uitvoeren.
	<b>LET OP!</b> Een opmerking met aanvullende informatie voor de gebruiker. Een opmerking maakt de gebruiker attent op mogelijke problemen.
	<b>VOORZICHTIG!</b> Procedures die -wanneer ze niet met de nodige voorzichtigheid worden uitgevoerd- schade aan het product, de omgeving of het milieu tot gevolg kunnen hebben.
	<b>WAARSCHUWING!</b> Procedures die -wanneer ze niet met de nodige voorzichtigheid worden uitgevoerd- ernstige schade aan het product of lichamelijk letsel tot gevolg kunnen hebben.
	<b>VOORZICHTIG!</b> Gevaar voor elektrische spanning.
	<b>WAARSCHUWING!</b> Brandgevaar! Belangrijke waarschuwing ter voorkoming van brand.
	<b>WAARSCHUWING!</b> Explosiegevaar! Belangrijke waarschuwing ter voorkoming van explosies.
	<b>Persoonlijke beschermingsmiddelen (PBM)</b> Instructie voor het gebruik van adembescherming bij het uitvoeren van service-, onderhouds- en reparatiewerkzaamheden. Dit geldt tevens tijdens het uitvoeren van een functionele test. Wij adviseren een halfgelaatsmasker volgens EN 149:2001 + A1:2009, klasse FFP3 (Richtlijn 89/686/EEC).
	<b>Persoonlijke beschermingsmiddelen (PBM)</b> Instructie voor het gebruik van beschermende handschoenen bij het uitvoeren van service-, onderhouds- en reparatiewerkzaamheden.

### Tekstaanduidingen

Tekst aangegeven met een "-" (koppelteken) betreft een opsomming.

Tekst aangegeven met een "•" (bulletpoint) beschrijft de te verrichten stappen.

### Service en technische ondersteuning

Voor informatie betreffende specifieke afstellingen, onderhouds- of reparatiewerkzaamheden die buiten het bestek van deze handleiding vallen, gelieve contact op te nemen met de leverancier van het product. Deze is altijd bereid u te helpen. Zorg ervoor dat u de volgende gegevens bij de hand heeft:

- productnaam
- serienummer

Deze gegevens vindt u op het identificatieplaatje.

## Productaanduidingen

Tenzij specifiek vermeld, is de inhoud van deze handleiding van toepassing op zowel de MonoGo als de MonoGo<sup>plus</sup>.

## 1 INLEIDING

### 1.1 Identificatie van het product

Het identificatieplaatje bevat o.a. de volgende gegevens:

- productnaam
- serienummer
- aansluitspanning en frequentie
- vermogen

### 1.2 Algemene beschrijving

De MonoGo is een stationaire filterunit met ingebouwde ventilator en afzuigarm. De unit bevat een voorfiltercassette en een HEPA filtercassette (beide disposable).

#### 1.2.1 Gebruiksintensiteit

Wij adviseren om de MonoGo te gebruiken voor incidentele laswerkzaamheden<sup>1</sup> en voor TIG-lassen. De MonoGo<sup>plus</sup> is geschikt voor incidentele tot regelmatige laswerkzaamheden<sup>2</sup>.

### 1.3 Opties en accessoires

De volgende producten zijn als optie en/of accessoire verkrijgbaar::

- Flens voor kanaalaansluiting Ø 250 mm

### 1.4 Technische specificaties

	MonoGo	MonoGo <sup>plus</sup>		
<b>Afmetingen en eigenschappen</b>				
Materiaal (behuizing)	elektrolytisch verzinkt staal			
Gewicht (excl. arm)	78 kg	79,5 kg		
<b>Filters</b>				
Voorfiltercassette:				
- materiaal	polyester	polyester		
- filteroppervlakte	1 m <sup>2</sup>	1 m <sup>2</sup>		
- filterclassificatie	ISO Coarse 70% volgens ISO 16890	ISO Coarse 70% volgens ISO 16890		
HEPA filtercassette:				
- materiaal	glasvezel	glasvezel		
- filter oppervlakte	15 m <sup>2</sup>	26 m <sup>2</sup>		
- efficiëntieklasse	E12 volgens EN 1822-1:2009	E12 volgens EN 1822-1:2009		
Wasbaar	nee	nee		
<b>Afzuigarm</b>				
Type	slangarm (EconomyArm)	metalen arm (KUA)		
Lengte	2, 3 of 4 m	2, 3 of 4 m		
Diameter	Ø 160 mm			
Gewicht	<b>Type</b>	<b>Gewicht</b>	<b>Type</b>	<b>Gewicht</b>
	EA-2	11 kg	KUA-2	13,5 kg
	EA-3	13 kg	KUA-3	17 kg
	EA-4	15 kg	KUA-4	18 kg
<b>Ventilator</b>				
Type ventilator	radiaal			
Afzuigcapaciteit	max. 850 m <sup>3</sup> /h			
Ventilatorsnelheid	2800 rpm			

1. ca. 1 spoel massieve draad of 7,5 kg elektrodes per maand

2. ca. 2 spoelen massieve draad of 15 kg elektrodes per maand



Geluidsniveau	67 dB(A) volgens ISO 3746
<b>Elektrische gegevens</b>	
Opgenomen vermogen	1,1 kW
Beschikbare aansluitspanningen	- 115V/1ph/50Hz - 230V/1ph/50Hz
Bedieningselement	24V
Bouwworm motor	IEC
Efficiencyklasse	n.v.t.
Voedingskabel	niet inbegrepen
Netstekker	niet inbegrepen
<b>Lasrookklasse</b>	
W3	volgens ISO 15012-1:2013

#### 1.4.1 Afmetingen

Zie Fig. I op pag. 52.

#### 1.5 Werkbereik

Zie Fig. II op pag. 52.

#### 1.6 Omgevings- en procescondities

Procestemperatuur:	
- min.	5°C
- nom.	20°C
- max.	70°C
Max. relatieve vochtigheid	90%
Geschikt voor buitengebruik	nee

#### 1.7 Transport van de unit

De fabrikant kan op geen enkele wijze verantwoordelijk worden gesteld voor transportschade na aflevering.

- Ga altijd voorzichtig met de filterunit en de bijbehorende afzuigarm om.
- Voordat eventueel transport plaatsvindt, moet de afzuigarm volledig losgekoppeld worden. Koppel de afzuigarm los door de montageprocedure in omgekeerde volgorde uit te voeren. Hierna kunnen de filterunit en de afzuigarm in de originele verpakking op een pallet vervoerd worden..
- Let erop dat de filterunit en de afzuigarm niet van de pallet kunnen schuiven ter voorkoming van beschadigingen.

## 2 PRODUCTBESCHRIJVING

### 2.1 Componenten

Het product bestaat uit de volgende hoofdcomponenten en -elementen:

Fig. 2.1

- A ventilator + motor
- B HEPA filtercassette
- C voorfiltercassette
- D afzuigarm (afgebeeld: slangarm)
- E bedieningselement
- F regel-/afsluitklep

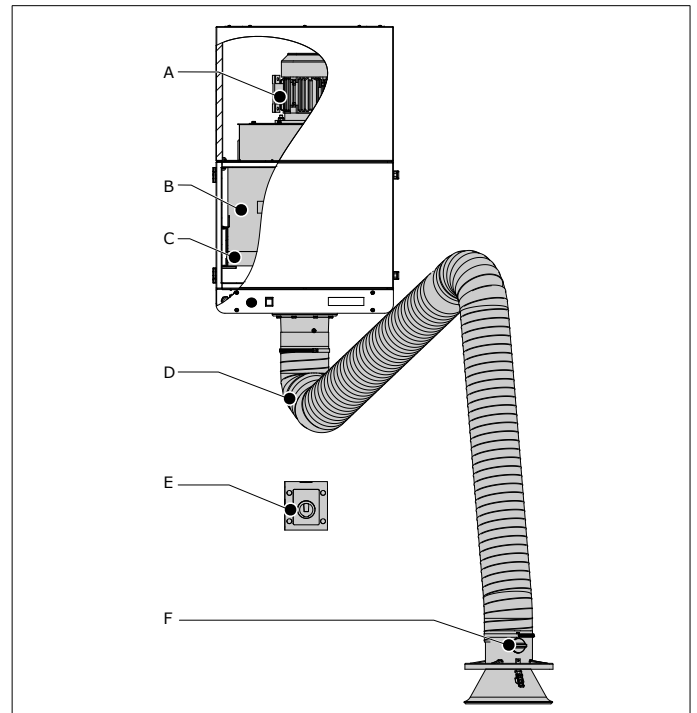


Fig. 2.1 Hoofdcomponenten en -elementen

### 2.2 Werking

De MonoGo werkt op basis van het recirculatieprincipe. De ingebouwde ventilator zuigt de lasrook via de kap van de aangesloten afzuigarm aan. De vervuilde lucht passeert de voorfiltercassette en wordt verder gereinigd door de HEPA filtercassette.

De schone lucht wordt via het uitblaasrooster aan de bovenkant van de unit weer in de ruimte teruggevoerd.

#### 2.2.1 Signalering voor het vervangen van de filters

De MonoGo is voorzien van een service-indicator die de luchtstroom controleert. De service-indicator geeft een akoestisch signaal wanneer het nodig is de filters te vervangen.

## 3 VEILIGHEIDSVOORSCHRIFTEN

### Algemeen

De fabrikant aanvaardt geen enkele aansprakelijkheid voor schade of letsel veroorzaakt door het niet (strikt) naleven van de veiligheidsvoorschriften en -instructies in deze handleiding, dan wel door onachtzaamheid tijdens installatie, gebruik, onderhoud en reparatie van het op de voorzijde van dit document vermelde product en de eventuele bijbehorende accessoires.

Afhankelijk van de specifieke werkomstandigheden of gebruikte accessoires kunnen aanvullende veiligheidsinstructies nodig zijn. Neem s.v.p. direct contact op met uw leverancier indien u bij het gebruik van het product een potentieel gevaar hebt geconstateerd.

**De gebruiker van het product is te allen tijde volledig verantwoordelijk voor de naleving van de plaatselijk geldende veiligheidsvoorschriften en -richtlijnen. Respecteer dan ook alle veiligheidsvoorschriften en -richtlijnen die van toepassing zijn.**

### Gebruikershandleiding

- Een ieder die aan of met het product werkt, dient van de inhoud van deze handleiding op de hoogte te zijn en de instructies daarin nauwgezet op te volgen. De bedrijfsleiding dient het personeel aan de hand van de handleiding te

onderrichten en alle voorschriften en aanwijzingen in acht te nemen.

- Wijzig nooit de volgorde van de te verrichten handelingen.
- Bewaar de handleiding steeds in de nabijheid van het product.

### Gebruikers

- Gebruik van het product is uitsluitend voorbehouden aan daartoe opgeleide en bevoegde gebruikers. Tijdelijke werkkrachten en personen in opleiding mogen het product uitsluitend onder toezicht en verantwoording van vaklui gebruiken.
- Blijf voortdurend opletten en houd uw aandacht bij het werk. Gebruik het product niet als u onder invloed bent van drugs, alcohol of medicijnen.
- Het product mag niet worden gebruikt door kinderen of personen met beperkte fysieke, zintuiglijke of mentale vermogens, tenzij onder toezicht of instructie.
- Kinderen moeten onder toezicht staan om te voorkomen dat ze met het product gaan spelen.

### Gebruik volgens bestemming<sup>3</sup>

Het product is uitsluitend ontworpen voor het afzuigen en filteren van rook en gassen die vrijkomen tijdens de meest voorkomende lasprocessen. Elk ander of verdergaand gebruik geldt niet als conform de bestemming. Voor schade of letsel dat hiervan het gevolg is, aanvaardt de fabrikant geen enkele aansprakelijkheid. Het product is in overeenstemming met de vigerende normen en richtlijnen. Gebruik het product uitsluitend in technisch perfecte conditie, conform de hierboven beschreven bestemming.

### Technische specificaties

De in deze handleiding vermelde specificaties mogen niet worden gewijzigd.

### Modificaties

Modificatie van (onderdelen van) het product is niet toegestaan.

### Installatie

- Installatie van het product is uitsluitend voorbehouden aan daartoe opgeleide en bevoegde installateurs.
- Elektrische aansluiting moet geschieden in overeenstemming met de ter plaatse geldende voorschriften. Zorg voor naleving van de EMC-voorschriften.
- Draag tijdens installatie altijd persoonlijke beschermingsmiddelen (PBM) ter voorkoming van letsel. Dit geldt ook voor personen die tijdens installatie in het werkgebied aanwezig zijn.
- Gebruik bij werkzaamheden hoger dan 2 meter goedgekeurd klimmateriaal voor werken op de desbetreffende hoogte (houd rekening met eventuele lokale voorschriften).
- Installeer het product nooit voor in-, uit- en doorgangen die zijn bedoeld voor hulpdiensten.
- Houd rekening met eventuele gas-, water- en elektraleidingen..
- Zorg voor voldoende verlichting.
- Blijf voortdurend opletten en houd uw aandacht bij het werk. Installeer het product niet als u onder invloed bent van drugs, alcohol of medicijnen.
- Lucht die chroom-, nikkel-, beryllium-, cadmium- of looddeeltjes etc. bevat, mag nooit worden gerecycled. Deze lucht moet altijd buiten de werkruimte worden gebracht.

### Gebruik



#### WAARSCHUWING!

Brandgevaar! Gebruik het product **niet** voor:

- polijsten in combinatie met slijpen, lassen of andere toepassingen die vonken veroorzaken (vezels van polijst- of slijpschijven zijn zeer brandbaar en vormen een hoog risico op filterbrand bij blootstelling aan vonken)
- booggutsen
- afzuiging en/of filtratie van ontvlambare, gloeiende of brandende deeltjes of vloeistoffen
- afzuiging en/of filtratie van agressieve rook en gassen (bv. van zuren en alkaline) of scherpe voorwerpen
- afzuiging en/of filtratie van deeltjes die vrijkomen bij het lassen aan oppervlakten die met primer zijn behandeld
- afzuiging van sigaretten, sigaren, tissues of andere brandende deeltjes, voorwerpen of zuren



#### WAARSCHUWING!

Explosiegevaar! Gebruik het product **niet** voor explosiegevaarlijke toepassingen, zoals:

- aluminium lasersnijden
- slijpen van aluminium en magnesium
- alle situaties waarin explosies kunnen voorkomen; explosieve stoffen/gassen



#### WAARSCHUWING!

Gebruik het product **niet** voor:

- afzuiging van hete gassen (hoger dan 70°C continue)
- vlamspuiten
- olienevel
- lasrook met zware olienevel
- afzuiging van cement, zaagsel, houtsnippers etc.

- Inspecteer het product en controleer het op beschadigingen. Verifieer de werking van de veiligheidsvoorzieningen.
- Draag tijdens gebruik altijd persoonlijke beschermingsmiddelen (PBM) ter voorkoming van letsel. Dit geldt ook voor personen die tijdens installatie in het werkgebied aanwezig zijn.
- Controleer de werkomgeving. Laat onbevoegden niet in de werkomgeving toe.
- Bescherm het product tegen water of vocht.
- Zorg altijd voor voldoende ventilatie, met name in kleine ruimten.
- Zorg ervoor dat op de werkplek, in de nabijheid van het product, voldoende goedgekeurde brandblussers (geschikt voor brandklassen ABC) aanwezig zijn.
- Laat geen gereedschap op of in de unit achter.
- De retourstroom tussen het werkstuk en de lasmachine heeft een lage weerstand. Zorg daarom dat er géén contact is tussen het werkstuk en de MonoGo, om te voorkomen dat er lasstroom via de aardleiding van de MonoGo naar de lasmachine terugstroomt.

### Service, onderhoud en reparatie

- Respecteer de in deze handleiding gegeven onderhoudsintervallen. Achterstallig onderhoud kan leiden tot hoge kosten voor reparaties en revisies en kan aanspraken op garantie doen vervallen.
- Draag altijd persoonlijke beschermingsmiddelen (PBM) ter voorkoming van letsel. Dit geldt ook voor personen die in het werkgebied aanwezig zijn.
- Zorg voor voldoende ventilatie.
- Gebruik altijd door de fabrikant goedgekeurde gereedschappen, onderdelen, materialen en service-technieken. Gebruik nooit versleten gereedschap en laat geen gereedschap in of op het product achter.
- Gebruik bij werkzaamheden hoger dan 2 meter goedgekeurd klimmateriaal voor werken op de desbetreffende hoogte (houd rekening met eventuele lokale voorschriften).
- Maak het werkgebied na het afronden van de werkzaamheden schoon.

3. "Gebruik volgens bestemming" zoals vastgelegd in de EN-ISO 12100-1 is het gebruik waarvoor het technisch product volgens de opgave van de fabrikant -inclusief diens aanwijzingen in de verkoopbrochure- geschikt is. Bij twijfel is dat het gebruik dat uit de constructie, uitvoering en functie van het product als gebruikelijk naar voren komt. Tot het gebruik volgens bestemming behoort ook het in acht nemen van de instructies in de gebruikershandleiding.


	<b>LET OP!</b> Service, onderhoud en reparatie mag alleen worden uitgevoerd conform de richtlijnen TRGS 560 en TRGS 528 door daartoe bevoegd, gekwalificeerd en getraind personeel, dat gebruik maakt van de juiste werkmethoden.
	<b>LET OP!</b> Alvorens service-, onderhouds- en/of reparatiewerkzaamheden uit te voeren: - schakel de machine uit en ontkoppel deze van het net
 	<b>Persoonlijke beschermingsmiddelen (PBM)</b> Draag adembescherming en beschermende handschoenen bij het uitvoeren van service-, onderhouds- en reparatiewerkzaamheden.
	<b>WAARSCHUWING</b> De industriële stofzuiger die gebruikt wordt tijdens service- en onderhoudswerkzaamheden, moet voldoen aan stofklasse H volgens de norm EN 60335-2-69.

- sluitring M20
- zeskantbout M6x25 (4)

#### Besturingsapparatuur

- bedieningselement

### 4.3 Stationaire filterunit

	<b>LET OP!</b> Voordat u de unit installeert, controleer of de muur/wand sterk genoeg is. Zie par. 1.4 voor het gewicht van de unit.
---	---

- Zie Fig. III op pagina 52 voor de aanbevolen montagehoogte en het gatenpatroon van de wandbeugel.

Installeer de wandbeugel als volgt.

Fig. 4.1

- De wandbeugel is met een tie-wrap aan de filterunit bevestigd. Knip de tie-wrap los.
- Bevestig de wandbeugel (B) aan de muur. Gebruik alle 4 de bevestigingspunten.
- Til de filterunit op en steek de haken (A) in de sleuven van de wandbeugel.
- Bevestig de filterunit aan de wandbeugel met de bouten, borgmoeren en sluitringen (C).

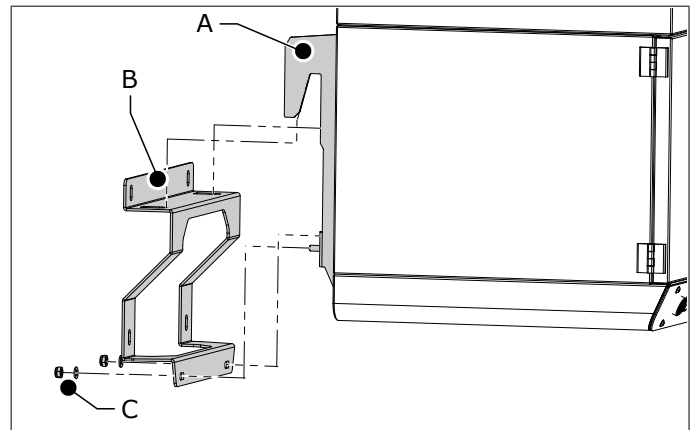


Fig. 4.1 Montage van de wandbeugel

## 4 INSTALLATIE

### 4.1 Gereedschappen en benodigheden

Om de unit te installeren, zijn de volgende gereedschappen en benodigheden nodig:

- basisgereedschap
- heftruck

#### 4.1.1 Apart aan te schaffen

- bevestigingsmateriaal voor wandmontage<sup>4</sup>
- voedingskabel 3G1.5 (3x1,5 mm<sup>2</sup>)
- wartel M20 (2)
- optie: netstekker<sup>5</sup>

### 4.2 Uitpakken

Controleer of het product compleet is. De inhoud van de verpakking bestaat uit:

#### Filterunit

- stationaire filterunit, incl. wandbeugel
- bout M10x30 (2) + borgmoer M10 (2) + sluitring (4)
- sluitring M6 (8)
- bout M6x25 (8)

#### Afzuigarm

##### In geval van een MonoGo: slangarm

- afzuigarm (voorgemonteerd; excl. slang)
- slang
- slangklem (2)
- draaiflens
- draaischarnier, incl. manchet
- kap
- kraag kap met beschermgaas
- sluitring M20
- zeskantbout M6x25 (4)

##### In geval van een MonoGo<sup>plus</sup>: metalen arm

- afzuigarm (voorgemonteerd)
- draaiflens
- draaischarnier, incl. manchet
- kap
- kraag kap met beschermgaas

### 4.4 Arm aan stationaire unit

Monteer de afzuigarm als volgt.


	<b>TIP</b> Controleer de balansinstelling van de arm voordat u de slangen bevestigt. Zie par. 6.3.
---	---

Fig. 4.2

- Verwijder de borgmoer M20 (A) van de scharnierstang (E).
- In geval van een slangarm: schuif de slang over de interne stangen van de arm.
- Schuif de slangklem (F) en het draaischarnier (incl. manchet) (D) over de scharnierstang (E).
- Leg de sluitring M20 (C) op het draaischarnier (D).
- Steek de scharnierstang (E) in de draaiflens (B).
- Schuif de slang (A) over het draaischarnier (D).
- Maak de aansluiting luchtdicht met de manchet.
- Bevestig de slang (G) aan het draaischarnier (D) met de slangklem (F).
- Schuif de borgmoer M20 (A) over de scharnierstang (E) en draai deze vast.
- Monteer de afzuigarm aan de filterunit met de 8 bouten M6x25 + sluitringen M6.

4. Het bevestigingsmateriaal is afhankelijk van de type muur

5. Alternatief: directe aansluiting op het net + additionele hoofdschakelaar

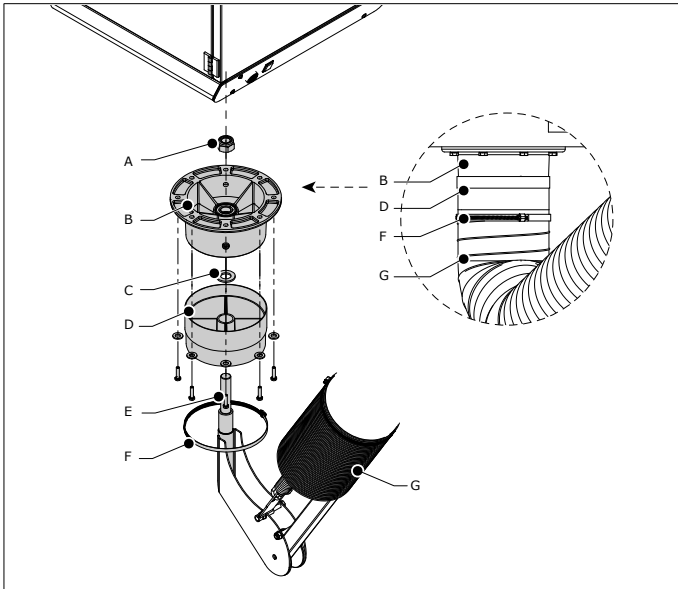


Fig. 4.2 Montage arm aan stationaire unit

#### 4.5 Montage van de kap

Installeer de kap als volgt.

*Slangarm (EconomyArm): zie Fig. 4.3*

*Metalen arm (KUA): zie Fig. 4.4*

- Maak het bevestigingsmateriaal los van het kapscharnier.
- Monteer de kap (A) met de bout (F), 2 sluitringen (E), 2 veerringen (D) en een borgmoer (C).
- Monteer de kraag (H) aan de kap (G) en bevestig deze met de clip.
- Schuif de slang (A) over de kap.
- Bevestig de slang met een slangklem (B).

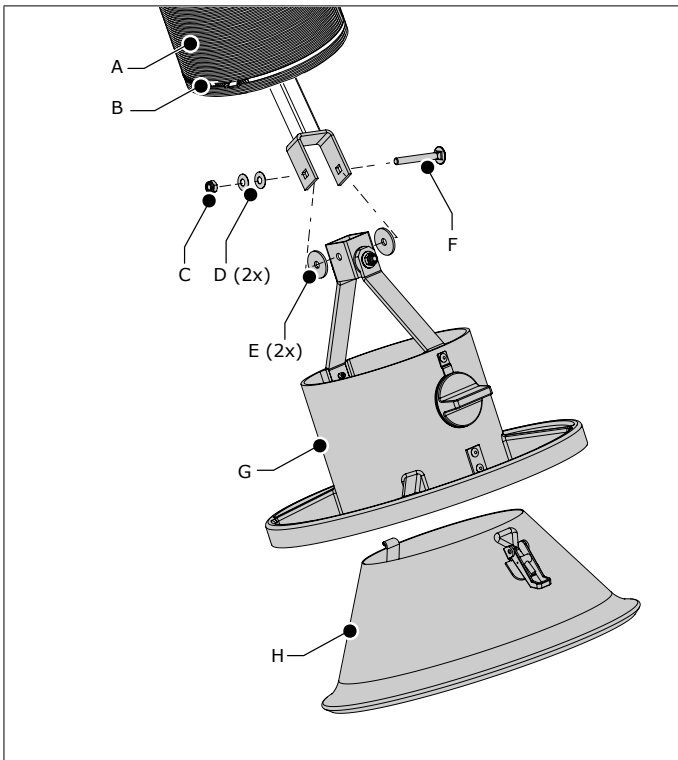


Fig. 4.3 Montage van de kap (slangarm)

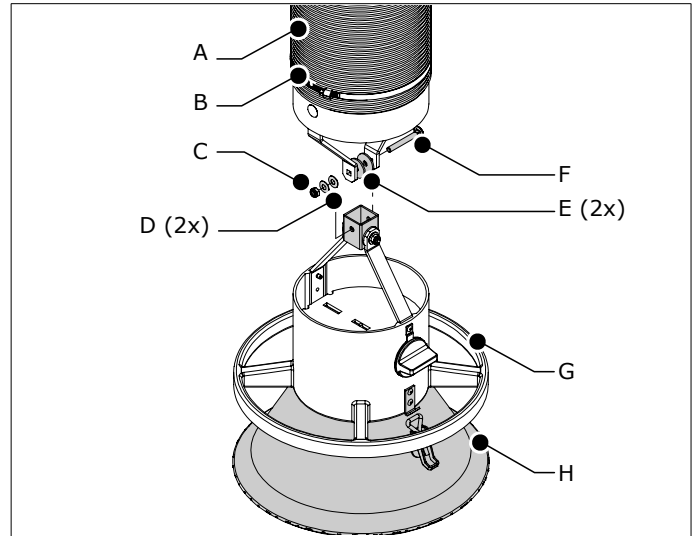


Fig. 4.4 Montage van de kap (metalen arm)

#### 4.6 Bedieningselement

- Installeer het bedieningselement op een geschikte positie.
- Sluit het bedieningselement aan op de filterunit en op het elektriciteitsnet volgens het meegeleverde elektrisch schema.

### 5 GEBRUIK



#### WAARSCHUWING!

Brandgevaar! Gebruik het product **niet** voor polijsten in combinatie met slijpen, lassen of andere toepassingen die vonken veroorzaken.

**Zie hoofdstuk 3 / Veiligheidsvoorschriften / Gebruik.**

#### 5.1 Bedieningspaneel

De MonoGo heeft een apart bedieningselement om de unit aan en uit te schakelen. Bedieningsorganen en controlelampen:

Fig. 5.1

- A Zoemer (service-indicator)
- B Controlelamp
- C Bedieningselement met draaischakelaar 0-1

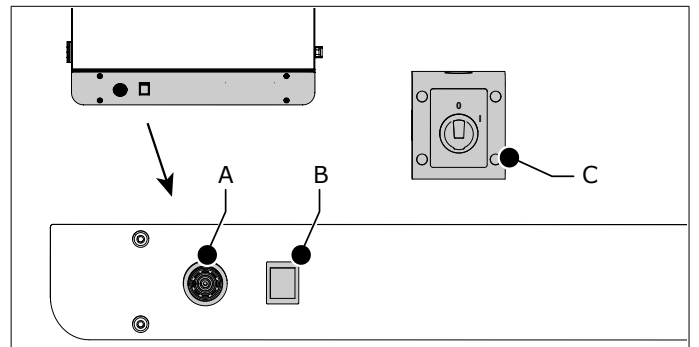



Fig. 5.1 Bedieningsorganen en controlelampen

#### 5.2 Gebruik


- Positioneer de kap van de aangesloten afzuigarm op 400-800 mm afstand van de vervuilsbron. Zie Fig. IV op pag. 53 voor de juiste positie.
- Controleer of de regel-/afsklep (zie Fig. 2.1F) open is.
- Zet de unit aan (zie Fig. 5.1C).
- Begin te lassen.

- Wanneer de laspositie verandert, beweeg de kap dan naar de juiste positie ten opzichte van het laswerk.

	<b>WAARSCHUWING</b>
	Zorg ervoor dat alle lasrook via de kap wordt afgezogen om de lasrook buiten de ademzone van de lasser te houden.

- Zet de unit ca. 20 seconden na het beëindigen van de laswerkzaamheden uit.


Wanneer tijdens het gebruik de afzuigcapaciteit te laag wordt, geeft de zoemer (zie Fig. 5.1A) een akoestisch alarm. Zie hoofdstuk 7 voor de mogelijke oorzaak en de oplossing.

	<b>LET OP</b>
	Wanneer u de voorfiltercassette en/of de HEPA filtercassette niet tijdig vervangt, zal de afzuigcapaciteit verder afnemen.

## 6 ONDERHOUD

### 6.1 Periodiek onderhoud

Het product is ontworpen om gedurende lange tijd probleemloos te functioneren met een minimum aan onderhoud. Om dit te garanderen zijn echter enkele eenvoudige, regelmatig uit te voeren onderhouds- en reinigingswerkzaamheden noodzakelijk die in dit hoofdstuk worden beschreven. Indien u met de nodige voorzichtigheid te werk gaat en regelmatig onderhoud uitvoert, zullen eventuele problemen veelal ontdekt en gecorrigeerd kunnen worden voordat ze tot stilstand leiden.

	<b>WAARSCHUWING</b>
	Achterstallig onderhoud kan leiden tot brand.

De aangeven onderhoudsintervallen kunnen variëren afhankelijk van de specifieke arbeids- en bedrijfsomstandigheden. Daarom wordt aanbevolen - naast het hier aangegeven periodieke onderhoud- het product jaarlijks aan een grondige, algehele inspectie te onderwerpen. Neem hiertoe contact op met uw leverancier.

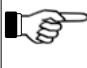
Onderdeel	Actie	Frequentie: elke X mnd	
		X=6	X=12
<b>Filterunit</b>			
Behuizing	Reinig de buitenkant met een niet-agressief schoonmaakmiddel.		X
	Reinig de binnenkant met behulp van een industriële stofzuiger en verwijder het stof uit het filtercompartiment.		X
	Controleer het afdichtingsmateriaal van de deur. Indien nodig vervangen.		X
Ventilator	Controleer op aangekoekt vuil. Indien nodig reinigen.		X
Voedingskabel	Controleer op beschadigingen. Indien nodig repareren of vervangen.	X *)	
<b>Afzuigarm</b>			
Buizen	Reinig de buitenkant met een niet-agressief schoonmaakmiddel	X	
	Reinig de binnenkant grondig	X	
Flexibele slangen	Controleer op beschadigingen. Indien nodig vervangen	X	
Kap	Controleer de beweging van de kap. Pas indien nodig de frictie aan; zie par. 6.3	X	

Onderdeel	Actie	Frequentie: elke X mnd	
		X=6	X=12
Beweging van de arm	Controleer de horizontale, vertikale en diagonale armbeweging. Pas indien nodig de frictie aan; zie par. 6.3	X	

\*) Voorafgaand aan elk gebruik



### 6.2 Vervangen van de filters

De zoemer geeft een akoestisch alarm wanneer de afzuigcapaciteit te laag is.

	Controleer of:
	- de regel-/afsluitklep open is - de afzuigarm niet volledig dubbelgevouwen is

Wanneer de zoemer nog steeds afgaat, moet u de filtercassettes vervangen.

Omdat het voorfilter kleiner is en sneller vervuild raakt dan het HEPA filter, kunt u verschillende keren de voorfiltercassette vervangen, alvorens u ook de HEPA filtercassette moet vervangen.

		<b>Persoonlijke beschermingsmiddelen (PBM)</b> Draag adembescherming en beschermende handschoenen bij het vervangen van de filtercassettes.
	<b>WAARSCHUWING</b> De filtercassettes <b>niet</b> vervangen wanneer de ventilator draait.	
	<b>WAARSCHUWING</b> Om te voorkomen dat er deeltjes vrijkomen in de ruimte, gebruikte filtercassettes <b>niet</b> uitschudden of stofzuigen.	

#### 6.2.1 Voorfiltercassette

Vervang de voorfiltercassette als volgt.

Fig. 6.1

- Maak de unit stroomloos.
- Open de deur (A).
- Verwijder de voorfiltercassette. (B).
- Voer de gebruikte voorfiltercassette af conform de lokaal geldende voorschriften en/of richtlijnen.
- Plaats een nieuwe voorfiltercassette in de unit. De pijl op het frame moet naar boven<sup>6</sup> wijzen.
- Sluit en vergrendel de deur.

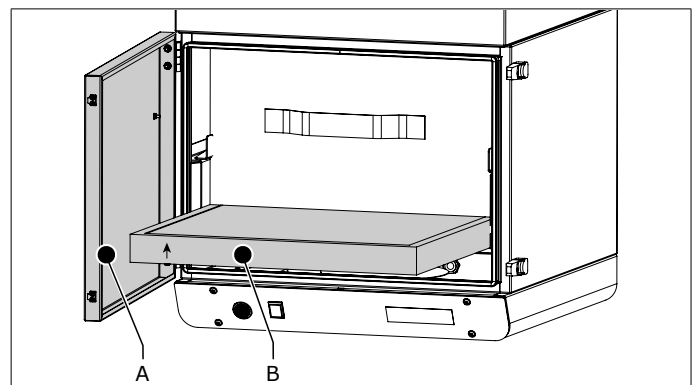



Fig. 6.1 Vervanging van de voorfiltercassette

6. De pijl geeft de luchtstroomrichting door het filter aan



 Wanneer de zoemer nog steeds afgaat nadat u de voorfiltercassette heeft vervangen, moet u ook de HEPA filtercassette vervangen.

### 6.2.2 HEPA filtercassette

Vervang de HEPA filtercassette als volgt.

Fig. 6.2

- Maak de unit stroomloos.
- Open de deur (A).
- Verwijder de voorfiltercassette.
- Draai de vleugelmoeren (C) los en zet de clips (B) omhoog. Zorg ervoor dat de 'vleugels' vertikaal staan.
- Trek de HEPA filtercassette (D) voorzichtig uit de unit.
- Voer de gebruikte HEPA filtercassette af conform de lokaal geldende voorschriften en/of richtlijnen.

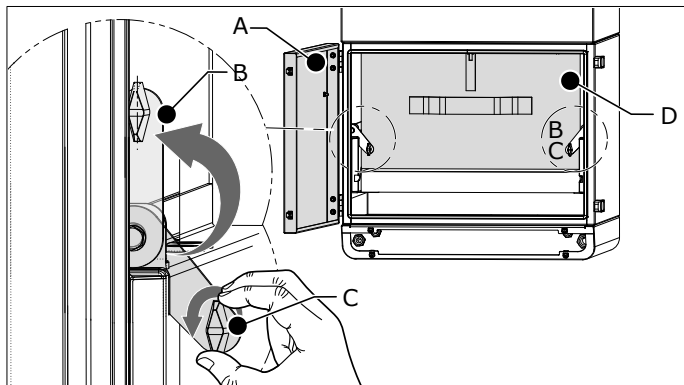


Fig. 6.2 Uitnemen van de HEPA filtercassette

Fig. 6.3

- Plaats een nieuwe HEPA filtercassette in de unit. De pinnen aan de zijkant passen precies in de sleuven (A) in de behuizing.
- Vergrendel de HEPA filtercassette met de clips (B). Zorg ervoor dat de clips precies in de sleuven vallen (hoek van 45°).
- Draai de vleugelmoeren vast.
- Plaats de voorfiltercassette terug in de unit. De pijl op het frame moet naar boven wijzen<sup>7</sup>.
- Sluit en vergrendel de deur.

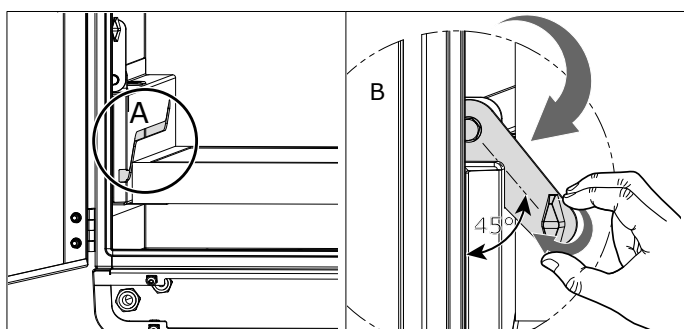


Fig. 6.3 Sleuven + clips (links + rechts)

## 6.3 Afstellen van de arm

Als de afzuigarm, of een deel daarvan, niet in de gewenste positie blijft, moet u de frictie afstellen.

### 6.3.1 Slangarm (EconomyArm)

- Bepaal welk scharnier meer of minder frictie nodig heeft.
- Maak de slang los om toegang te krijgen tot het scharnier.
- Trek de arm in een horizontale positie.


- Pas de frictie aan; zie Fig. VI op pag. 54 voor de afstelpunten.

### 6.3.2 Metalen arm (KUA)

- Bepaal welk scharnier meer of minder frictie nodig heeft.
- Maak de slang op die positie los om toegang te krijgen tot het scharnier.
- Trek de arm in een horizontale positie.
- Pas de frictie aan; zie Fig. VI op pag. 54 voor de afstelpunten.

## 7 VERHELPEN VAN STORINGEN

Wanneer de unit niet (correct) functioneert, raadpleeg dan de volgende checklist om te zien of u het probleem zelf kunt verhelpen. Is dit niet het geval, neem dan contact op met uw leverancier.

 **WAARSCHUWING**  
Respecteer bij het uitvoeren van onderstaande werkzaamheden de veiligheidsinstructies zoals beschreven in hoofdstuk 3.

Signalering	Probleem	Mogelijke oorzaak	Oplossing
De ventilator start niet	De unit werkt niet	Geen netspanning	Sluit de netspanning aan
De ventilator start niet	De unit werkt niet	De thermische beveiliging tegen overbelasting is geactiveerd	- Onderzoek de ventilator en de motor om de oorzaak te weten te komen. Herstel het probleem. - Druk op de rode resetknop achter het voorpaneel. Zie Fig. V op pagina 53
		Voedingskabel defect	Repareer of vervang de voedingskabel
		Losse contacten	Herstel de contacten
		Motor defect	Repareer of vervang de motor
De groene LED brandt maar de ventilator draait niet	De unit werkt niet	Relais is defect	Vervang het relais
		Thermisch relais is defect	Vervang het thermisch relais
		Motor defect	Repareer of vervang de motor
Onvoldoende afzuigcapaciteit	De unit werkt niet naar behoren	De regel-/afsluitklep in de kap van de afzuigarm is (deels) dicht	Open de regel-/afsluitklep (volledig)
		Filters verstopt & aansluiting van de druksensor los	Herstel de aansluiting van de drukslangen
		Filters verstopt & defecte druksensor	Vervang de druksensor en de voorfiltercassette Vervang ook de HEPA filtercassette
De zoemer geeft een akoestisch signaal	Onvoldoende afzuigcapaciteit	Voorfilter is verstopt	Vervang de voorfiltercassette
		HEPA filter is verstopt	Vervang de HEPA filtercassette

7. De pijl geeft de luchtstroomrichting door het filter aan. Een verkeerd geplaatste voorfiltercassette verkort de standtijd van het filter.

Signalering	Probleem	Mogelijke oorzaak	Oplossing
De afzuigarm blijft niet in de gewenste positie staan	Er ontsnapt rook; geen goede afzuiging	De instelling van de frictie is niet correct	Pas de frictie aan; zie Fig. VI op pagina 54 voor de afstelpunten
Het lukt niet de arm in de gewenste positie te krijgen			

## CE VERKLARING

### EG Verklaring van Overeenstemming

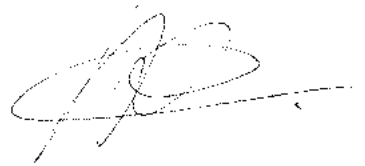
Wij, Plymovent Manufacturing B.V., Koraalstraat 9, 1812 RK Alkmaar, Nederland, verklaren geheel onder eigen verantwoordelijkheid dat de producten:

- MonoGo
- MonoGo<sup>plus</sup>

waarop deze verklaring betrekking heeft, in overeenstemming zijn met de bepalingen van de volgende richtlijnen:

- Machinerichtlijn 2006/42 EC
- EMC 2014/30 EU
- Laagspanningsrichtlijn 2014/35 E
- ErP-richtlijn 2009/125 EC

Handtekening:



Naam: M.S.J. Ligthart  
 Functie: Product Manager  
 Datum van afgifte: 1 mei 2018

## 8 RESERVEONDERDELEN

### 8.1 Filterunit

Voor de filterunit zijn de volgende reserveonderdelen verkrijgbaar;  
 - zie exploded view Fig. IX op pag. 59

### 8.2 Afzuigarm



Voor de afzuigarmen zijn de volgende reserveonderdelen verkrijgbaar;  
 - slangarm (EconomyArm): zie exploded view Fig. VII op pag. 55  
 - metalen arm (KUA): zie exploded view Fig. VIII op pag. 57

## 9 ELEKTRISCH SCHEMA

Zie het separaat bijgevoegde elektrisch schema.

## 10 AFDANKEN

Het demonteren en afvoeren van de unit moet mag uitsluitend worden uitgevoerd door daartoe bevoegd personeel.

 	<p><b>Persoonlijke beschermingsmiddelen (PBM)</b>          Draag adembescherming en beschermende handschoenen bij het demonteren en afvoeren van de unit.</p>
--	---

### 10.1 Demontage

Respecteer de volgende instructies om de unit veilig te demonteren.

Alvorens de unit te demonteren:  
 - koppel de unit los van het net  
 - reinig de buitenzijde

Tijdens het demonteren van de unit:  
 - zorg voor voldoende ventilatie, bv. door gebruik van een mobiele ventilator

Na het demonteren van de unit:  
 - maak het werkgebied schoon

### 10.2 Afvoeren

Voer het vuil en stof, samen met het gebruikte filters, op een professionele manier af conform de lokaal geldende voorschriften en/of richtlijnen.

## VORWORT

### Über diese Anleitung

Diese Anleitung wurde als Nachschlagewerk für professionelle, geschulte und befugte Bediener geschrieben. Sie können mit dieser Anleitung das vorne auf diesem Dokument aufgeführte Produkt sicher installieren, bedienen, warten und reparieren.

### Piktogramme und Symbole

In dieser Anleitung werden folgende Piktogramme und Symbole verwendet:

	<b>HINWEIS</b> Vorschläge und Tipps, wie sich die betreffenden Aufgaben oder Handlungen einfacher ausführen lassen.
	<b>ACHTUNG</b> Eine Bemerkung mit zusätzlicher Information für den Benutzer. Eine Bemerkung macht den Benutzer auf mögliche Probleme aufmerksam.
	<b>VORSICHT!</b> Verfahren, die -wenn sie nicht mit der erforderlichen Umsicht ausgeführt werden- Schaden am Produkt, an der Umgebung oder an der Umwelt anrichten können.
	<b>WARNUNG!</b> Verfahren, die -wenn sie nicht mit der erforderlichen Umsicht ausgeführt werden- ernsten Schaden am Produkt anrichten oder zu Verletzungen führen können.
	<b>VORSICHT!</b> Gefahr durch elektrischen Schlag.
	<b>WARNUNG!</b> Feuergefahr! Wichtige Warnung zur Vermeidung von Feuer.
	<b>WARNUNG!</b> Explosionsgefahr! Wichtige Warnung zur Vermeidung von Explosionen.
	<b>Persönliche Schutzausrüstung (PSA)</b> Bei Service-, Wartungs- und Reparaturarbeiten und Funktionstests immer Atemschutz tragen! Wir empfehlen das Tragen einer Atemschutz-Halbmaske gemäß EN 149:2001 + A1:2009, Klasse FFP3 (Richtlinie 89/686/EEC).
	<b>Persönliche Schutzausrüstung (PSA)</b> Bei Service-, Wartungs- und Reparaturarbeiten immer Schutzhandschuhe tragen!

### Textzeiger

Mit einem Bindestrich (" - ") versehene Auflistungen beziehen sich auf Aufzählungen.

Mit einem Aufzählungspunkt (" • ") versehene Auflistungen hingegen beschreiben auszuführende Schritte.

### Kundendienst und technischer Unterstützung

Für Informationen zu bestimmten Einstellungen, Wartungs- oder Reparaturarbeiten, die nicht in dieser Anleitung behandelt werden, wenden Sie sich bitte an Ihren Händler. Er ist gern bereit, Ihnen zu helfen. Halten Sie in diesem Fall folgende Angaben bereit:

- Produktname
- Seriennummer

Diese Angaben finden Sie auf dem Typenschild.

### Produktbezeichnungen

Falls nicht anders spezifiziert, gilt der Inhalt dieser Anleitung sowohl für das Modell MonoGo als auch das Modell MonoGo<sup>plus</sup>.

## 1 EINLEITUNG

### 1.1 Identifizierung des Produktes

Das Typenschild enthält u.a. folgende Daten:

- Produktname
- Seriennummer
- Anschlussspannung und Frequenz
- Leistung

### 1.2 Allgemeine Beschreibung

Der MonoGo ist eine stationäre Filtereinheit mit integriertem Ventilator und einem Absaugarm. Die Einheit umfasst eine Vorfilter-Kassette und einen HEPA-Kassettenfilter (beide Einwegfilter).

#### 1.2.1 Nutzungsintensität

Wir empfehlen MobileGoMonoGo für gelegentlich ausgeführte Schweißarbeiten<sup>1</sup> und das WIG-Schweißen. MobileGo<sup>plus</sup>MonoGo<sup>plus</sup> ist für gelegentlich bis regelmäßig ausgeführte Schweißarbeiten<sup>2</sup> geeignet.

### 1.3 Optionen und Zubehör

Die folgenden Produkte sind als Option und/oder Zubehör erhältlich:

- Auslassflansch für Rohranschluss Ø 250 mm

### 1.4 Technische Daten

	MonoGo	MonoGo <sup>plus</sup>		
<b>Abmessungen und physikalische Eigenschaften</b>				
Material (Gehäuse)	elektro-verzinkter Stahl			
Gewicht (exkl. Arm)	78 kg	79,5 kg		
<b>Filter</b>				
Vorfilter-Kassette:				
- Material	Polyester	Polyester		
- Filterfläche	1 m <sup>2</sup>	1 m <sup>2</sup>		
- Filterklassifizierung	ISO Coarse 70% laut ISO 16890	ISO Coarse 70% laut ISO 16890		
HEPA-Kassettenfilter:				
- Material	Glasfaser	Glasfaser		
- Filterfläche	15 m <sup>2</sup>	26 m <sup>2</sup>		
- Effizienzklasse	E12 laut EN 1822-1:2009	E12 laut EN 1822-1:2009		
Waschbar	nein	nein		
<b>Absaugarm</b>				
Typ	Schlaucharm (EconomyArm)	Metallrohr-Arm (KUA)		
Länge	2, 3 oder 4 m	2, 3 oder 4 m		
Durchmesser	Ø 160 mm	Ø 160 mm		
Gewicht	<b>Typ</b>	<b>Gewicht</b>	<b>Typ</b>	<b>Gewicht</b>
	EA-2	11 kg	KUA-2	13,5 kg
	EA-3	13 kg (28.7 lbs)	KUA-3	17 kg
	EA-4	15 kg	KUA-4	18 kg
<b>Ventilator</b>				
Ventilatorotyp	radial			
Absaugkapazität	max. 850 m <sup>3</sup> /h			
Ventilatorgeschwindigkeit	2800 UpM			
Schalldruckpegel	67 dB(A) laut ISO 3746			

- ca. 1 Spule Schweißdraht (Massivdraht) bzw. 7,5 kg an Schweißelektroden monatlich
- ca. 2 Spulen Schweißdraht (Massivdraht) bzw. 15 kg an Schweißelektroden monatlich



Elektrische Daten	
Leistungsaufnahme	1,1 kW
Verfügbare Anschlussspannungen	- 115V/1ph/50Hz - 230V/1ph/50Hz
Bedienelement	24V
Motortyp	IEC
Effizienzklasse	n.a.
Netzkabel	nicht mit inbegriffen
Netzstecker	nicht mit inbegriffen
Schweißbrauchklasse	
W3	laut ISO 15012-1:2013

### 1.4.1 Abmessungen

Siehe Fig. I auf Seite 52.

### 1.5 Bereich

Siehe Fig. II auf Seite 52.

### 1.6 Umgebungs- und Prozessbedingungen

Prozesstemperatur:	
- min.	5°C
- nom.	20°C
- max.	70°C
Max. relative Feuchtigkeit	90%
Außeneinsatz zugelassen	nein

### 1.7 Transport der Einheit

Der Hersteller kann in keiner Weise für Transportschäden nach Ablieferung haftbar gemacht werden.

- Gehen Sie immer vorsichtig mit der Filtereinheit und dem dazugehörigen Absaugarm um.
- Vor dem Transport muß der Absaugarm völlig entkoppelt werden. Koppeln Sie den Absaugarm los durch das Ankopplungsverfahren in entgegengesetzter Richtung auszuführen. Hiernach können die Filtereinheit und den Absaugarm in der Originalverpackung auf eine Palette transportiert werden.
- Achten Sie darauf, daß die Filtereinheit und den Absaugarm nicht von der Palette rutschen können, um Beschädigungen zu verhüten.

## 2 PRODUKTBESCHREIBUNG

### 2.1 Bestandteile

Das Produkt besteht aus folgenden Hauptbestandteilen und -Elementen:

Fig. 2.1

- A Ventilator + Motor
- B HEPA-Kassettenfilter
- C Vorfilter-Kassette
- D Absaugarm (2) (abgebildet: Schlaucharm)
- E Bedienelement
- F Absperrklappe

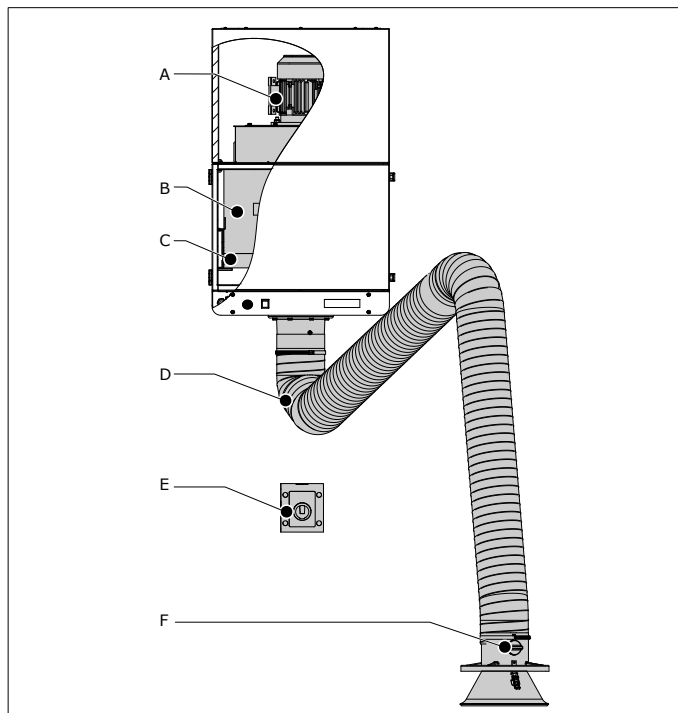


Fig. 2.1 Hauptbestandteile und -Elemente

### 2.2 Arbeitsweise

Die MonoGo arbeitet nach dem Rückführungsprinzip. Der integrierte Ventilator saugt den Schweißrauch über die Haube des angeschlossenen Absaugarms ab. Die verschmutzte Luft passiert die Vorfilter-Kassette und wird von dem HEPA-Kassettenfilter gereinigt. Die gereinigte Luft wird durch das an der Obenseite der Einheit befindlichen Ausblagitter wieder in die Werkstatt zurückgeführt.

#### 2.2.1 Anzeige eines Filterwechsels

MonoGo besitzt eine Service-Anzeige zur Anzeige des Luftstroms. Bei fälligem Filterwechsel ertönt ein akustisches Signal.

## 3 SICHERHEITSVORSCHRIFTEN

### Allgemeines

Der Hersteller haftet in keiner Weise für Schäden oder Verletzungen, die durch die nicht (genaue) Einhaltung der Sicherheitsvorschriften und -anweisungen in dieser Anleitung bzw. durch Nachlässigkeit während der Installation, Bedienung, Wartung und Reparatur des vorne auf diesem Dokument aufgeführten Produkts und eventuellem Zubehör entstehen. Abhängig von den spezifischen Arbeitsbedingungen und dem benutzten Zubehör sind möglicherweise ergänzende Sicherheitsanweisungen erforderlich. Sollten Sie bei der Benutzung des Produkts eine mögliche Gefahrenquelle entdecken, dann wenden Sie sich bitte an Ihren Händler.

**Der Bediener des Produkts trägt immer die vollständige Verantwortung für die Einhaltung der örtlich geltenden Sicherheitsvorschriften und -richtlinien. Es sind alle Sicherheitsvorschriften und -richtlinien einzuhalten, die für den Einsatz gelten.**

### Bedienungsanleitung

- Jeder, der an oder mit dem Produkt arbeitet, muss den Inhalt dieser Anleitung kennen, und die darin aufgeführten Anweisungen genau befolgen. Die Geschäftsleitung muss das Personal an Hand der Anleitung einweisen und alle Vorschriften und Anweisungen beachten.

- Nie von der Reihenfolge der auszuführenden Handlungen abweichen.
- Die Anleitung immer in der Nähe des Produkts aufbewahren.

### Bediener

- Die Bedienung des Produkts ist entsprechend geschulten und befugten Bedienern vorbehalten. Vorübergehende Arbeitskräfte und Auszubildende dürfen das Produkt ausschließlich unter Aufsicht und Verantwortung von Fachkräften bedienen.
- Seien Sie immer aufmerksam und bleiben Sie es bei der Arbeit. Bedienen Sie das Produkt nie, wenn Sie unter dem Einfluß von Drogen, Alkohol oder Medikamenten stehen.
- Das Produkt ist nicht dafür bestimmt, durch Personen mit eingeschränkten physischen, sensorischen oder geistigen Fähigkeiten oder mangels Erfahrung und/oder mangels Wissens benutzt zu werden, es sei denn sie werden beaufsichtigt oder erhalten Anweisungen.
- Kinder sollten beaufsichtigt werden, damit diese nicht mit dem Produkt spielen.

### Bestimmungsgemäße Verwendung<sup>3</sup>

Das Produkt wurde ausschließlich zum Absaugen und Filtern von Rauch und Partikeln entworfen, die bei den am häufigsten vorkommenden Schweiß- und Schneidprozessen freigesetzt werden. Jede andere oder darüber hinausgehende Benutzung gilt nicht als bestimmungsgemäß. Für daraus resultierende Schäden oder Verletzungen haftet der Hersteller in keiner Weise. Das Produkt entspricht den geltenden Normen und Richtlinien. Das Produkt ist ausschließlich in technisch einwandfreiem Zustand und gemäß der oben aufgeführten Bestimmung zu benutzen.

### Technische Daten

Die in dieser Anleitung aufgeführten Spezifikationen dürfen nicht geändert werden.

### Änderungen

Änderungen am Produkt oder an Teilen des Produkts sind nicht zulässig.

### Installation

- Die Installation des Produkts ist entsprechend geschulten und befugten Technikern vorbehalten.
- Der elektrische Anschluss muss gemäß den örtlich gültigen Anforderungen erfolgen. Beachten Sie dabei auch die EMV-Richtlinien.
- Verwenden Sie während der Installation stets die vorgeschriebenen persönlichen Schutzausrüstungen (PSA) um Verletzungen vorzubeugen. Dies gilt auch für Personen, die während der Montage oder Wartung den Arbeitsbereich betreten.
- Bei Arbeiten auf Höhen größer als 2 Meter geeignete Kletterausrüstung und Schutzvorrichtungen verwenden! (möglicherweise gelten örtliche Einschränkungen)
- Das Produkt nie vor Ein-, Aus- oder Durchgängen installieren, die für Rettungsdienste u.a. zugänglich sein müssen.
- Auf kreuzende Gas- und Wasserleitungen sowie elektrische Kabel achten!
- Auf ausreichende Ausleuchtung des Arbeitsbereiches achten!
- Seien Sie immer aufmerksam und bleiben Sie es bei der Arbeit. Installieren Sie das Produkt nie, wenn Sie unter dem Einfluß von Drogen, Alkohol oder Medikamenten stehen.
- Luft, die Chrom-, Nickel-, Beryllium-, Cadmium- oder Bleiteilchen enthält, darf nie recycelt werden. Diese Luft muss immer aus dem Arbeitsraum abgeführt werden.

3. Die "bestimmungsgemäße Verwendung" gemäß der EN-ISO 12100-1 ist die Verwendung, für die das technische Produkt gemäß den Angaben des Herstellers -einschließlich seiner Anweisungen in der Verkaufsbroschüre- geeignet ist. In Zweifelsfällen ist dies die Verwendung, die sich aus der Konstruktion, der Ausführung und der Funktion des Produkts als üblich ableiten läßt. Zur bestimmungsgemäßen Verwendung gehört auch die Einhaltung der Anweisungen in der Bedienungsanleitung.

### Gebrauch



#### WARNUNG!

- Feuerefahr! Das Produkt **nicht** gebrauchen für:
- Polierarbeiten in Kombination mit Schleif-, Schweiß- oder anderen funkenenerzeugenden Arbeiten (von Polier- oder Schleifscheiben stammende Fasern sind hochentzündlich und bergen bei Exposition gegenüber Funken ein hohes Filterbrandrisiko)
  - Lichtbogenschweißen
  - Absaugung bzw. Filtrierung von entzündlichen, glühenden oder brennenden Teilchen oder Feststoffe oder Flüssigkeiten
  - Absaugung bzw. Filtrierung von aggressivem Rauch (wie Salzsäure) oder scharfen Teilchen
  - Absaugung bzw. Filtrierung von Staubteilchen, die bei Schweißarbeiten an grundierten Flächen freigesetzt werden
  - Absaugung von Zigaretten, Zigarren, Öltüchern und anderen brennenden Partikeln, Objekten und Säure



#### WARNUNG!

- Explosionsgefahr! Das Produkt nicht gebrauchen für explosionsgefährdete Anwendungen, z. B.:
- Aluminium Laserschneiden
  - Aluminium- und Magnesiumschleifen
  - explosionsgefährliche Umstände oder Substanzen/ Gase



#### WARNUNG!

- Das Produkt **nicht** gebrauchen für:
- Absaugung heißer Gase (ständig über 70 °C)
  - Flammenspritzen
  - Ölnebel
  - Schwerer Ölnebel in Schweißbrauch
  - Absaugung von Zement, Säge- und Holzspänen usw.






- Inspizieren Sie das Produkt und überprüfen Sie es auf etwaige Beschädigungen. Überprüfen Sie die ordnungsgemäße Funktion der Schutzeinrichtungen.
- Verwenden Sie während des Gebrauchs stets die vorgeschriebenen persönlichen Schutzausrüstungen (PSA) um Verletzungen vorzubeugen. Dies gilt auch für Personen, die den Arbeitsbereich betreten.
- Überprüfen Sie den Arbeitsbereich. Halten Sie Unbefugte aus dem Arbeitsbereich fern.
- Schützen Sie das Produkt vor Wasser oder Feuchtigkeit.
- Sorgen Sie immer für ausreichende Belüftung, insbesondere in kleinen Räumen.
- Sorgen Sie dafür, dass am Arbeitsplatz in der Nähe des Produkts zugelassene Feuerlöschgeräte (geeignet für Brandklassen ABC) in ausreichender Zahl vorhanden sind.
- Keine Werkzeuge oder andere Gegenstände auf bzw. in der Einheit zurücklassen.
- Die Schweißstromrückleitung zwischen Werkstück und Schweißmaschine besitzt einen niedrigen Widerstand. Deswegen unbedingt eine Verbindung zwischen Werkstück und MonoGo vermeiden, damit der Schweißstrom nicht über die Schutzerdungsleitung des MonoGo zurück in die Schweißmaschine fließt.

### Service, Wartung und Reparaturen

- Beachten Sie die angegeben Wartungsintervalle. Überfällige Wartung kann zu hohen Kosten für Reparaturen und Revisionen führen und kann den Garantieanspruch nichtig machen.
- Verwenden Sie die vorgeschriebenen persönlichen Schutzausrüstungen (PSA) um Verletzungen vorzubeugen. Dies gilt auch für Personen, die den Arbeitsbereich betreten.
- Sorgen Sie immer für ausreichende Belüftung.
- Verwenden Sie immer vom Hersteller zugelassenes Werkzeug und Material sowie zugelassene Ersatzteile, Schmiermittel und Servicetechniken. Verwenden Sie nie abgenutztes

Werkzeug und lassen Sie kein Werkzeug im oder auf dem Gerät zurück.

- Bei Arbeiten auf Höhen größer als 2 Meter geeignete Kletterausrüstung und Schutzvorrichtungen verwenden! (möglicherweise gelten örtliche Einschränkungen).
- Bereich nach der Arbeit reinigen.

	<b>ACHTUNG!</b> Service-, Wartungs- und Reparaturarbeiten müssen entsprechend den Richtlinien TRGS 560 und TRGS 528 von autorisierten, ausgebildeten und qualifizierten Fachkräften unter Anwendung entsprechender Arbeitstechniken durchgeführt werden.
	<b>ACHTUNG!</b> Bevor Sie mit Service-, Wartung und Reparaturarbeiten beginnen: - die Maschine ausschalten und vom Netz abkoppeln
 	<b>Persönliche Schutzausrüstung (PSA)</b> Während der Service-, Wartungs- und Reparaturarbeiten Atemschutz und Schutzhandschuhe tragen.
	<b>WARNUNG</b> Ein für Service- und Wartungsarbeiten verwendeter Industriestaubsauger muss der Staubklasse H gemäß EN 60335-2-69 entsprechen.

## 4 INSTALLATION

### 4.1 Benötigte Werkzeuge und Materialien

Sie benötigen folgende Werkzeuge und Materialien für die Installation der Einheit:

- Werkzeuge
- Gabelstapler

#### 4.1.1 Örtlich zu beziehen

- Befestigungsmaterial für Wandmontage<sup>4</sup>
- Netzkabel 3G1.5 (3x1,5 mm<sup>2</sup>)
- Kabelverschraubung M20 (2)
- Option: Netzstecker<sup>5</sup>

### 4.2 Auspacken

Überprüfen Sie, ob das Produkt vollständig ist. Die Verpackung enthält folgendes:

#### Filtereinheit

- stationäre Filtereinheit, inkl. Wandhalterung
- Befestigungsschraube M10x30 (2) + Sicherungsmutter M10 (2) + Unterlegscheibe (4)
- Unterlegscheibe M6 (8)
- Befestigungsschraube M6x25 (8)

#### Absaugarm

##### Bei einem MonoGo: Schlaucharm

- Absaugarm (vormontiert; exkl. Schlauchrohr)
- Schlauchrohr
- Schlauchklemme (2)
- Drehflansch
- Schwenkring, inkl. Gummimanschette
- Haube
- Kragen für Haube, mit Gittergewebe
- Unterlegscheibe M20
- Sechskantschraube M6x25 (4)

##### Bei einem MonoGo<sup>plus</sup>: Metallrohr-Arm

- Absaugarm (vormontiert)
- Drehflansch

- Schwenkring, inkl. Gummimanschette
- Haube
- Kragen für Haube, mit Gittergewebe
- Unterlegscheibe M20
- Sechskantschraube M6x25 (4)

#### Steuerungsanlage

- Bedienelement

### 4.3 Stationäre Filtereinheit



#### ACHTUNG!

Vor der Installation der Einheit die Tragfähigkeit der Mauer sicherstellen! Siehe Abschnitt 1.4 für das Gewicht der Einheit.

- Für die empfohlene Installationshöhe der Wandhalterung und dessen Bohrmuster siehe Fig. III auf Seite 52.

Zur Montage der Wandhalterung wie folgt vorgehen.

Fig. 4.1

- Die Befestigung der Wandhalterung an der Einheit erfolgt provisorisch mit einem Kabelbinder. Kabelbinder durchtrennen.
- Wandhalterung (B) an der Wand installieren. Dabei alle vier Befestigungspunkte verwenden.
- Einheit anheben und die Haken (A) in die Schlitze der Wandhalterung einsetzen.
- Einheit an der Wandhalterung mit den Befestigungsschrauben, Sicherungsmutter und Unterlegscheiben (C) befestigen.

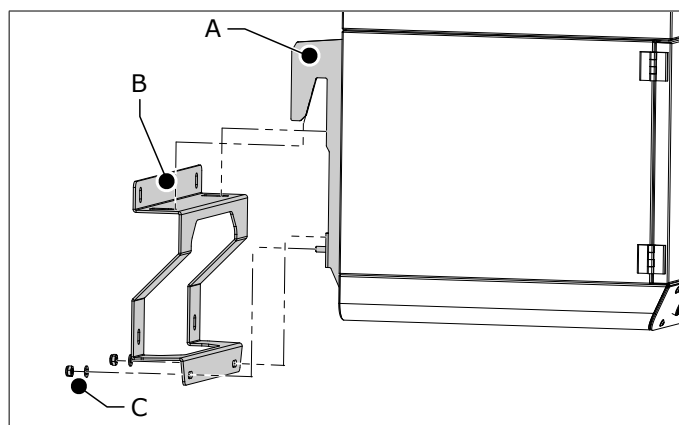


Fig. 4.1 Montage der Wandhalterung

### 4.4 Absaugarm an stationärer Filtereinheit

Zur Montage des Absaugarms wie folgt vorgehen.



#### HINWEIS

Vor Befestigung der Schläuche überprüfen, ob sich der Absaugarm im Gleichgewicht befindet. Siehe Abschnitt #. Siehe Abschnitt 6.3.

Fig. 4.2

- Sicherungsmutter M20 (A) von der Scharnierstange (E) entfernen.
- Bei einem Schlaucharm: Schlauchrohr auf die innen gelegenen Armstangen aufsetzen.
- Schlauchklemme (F) und Schwenkring (inkl. Gummimanschette) (D) über die Scharnierstange (E) ziehen.
- Unterlegscheibe M20 (C) auf den Schwenkring (D) aufsetzen.
- Scharnierstange (E) in den Drehflansch (B) stecken.
- Schlauchrohr (G) auf den Schwenkring (D) aufsetzen.
- Mit der Gummimanschette den Anschluss luftdicht ausführen.

4. Die erforderliche Hardware hängt vom Wandtyp ab

5. Variante: Direkter Netzanschluss und zusätzlicher Hauptschalter

- Schlauchrohr (G) mit der Schlauchklemme (F) am Schwenkring (D) befestigen.
- Sicherungsmutter M20 (A) auf die Scharnierstange (E) setzen und festziehen.
- Mit den acht Schrauben M6x25 und Unterlegscheiben M6 die Baugruppe auf der Filtereinheit montieren.

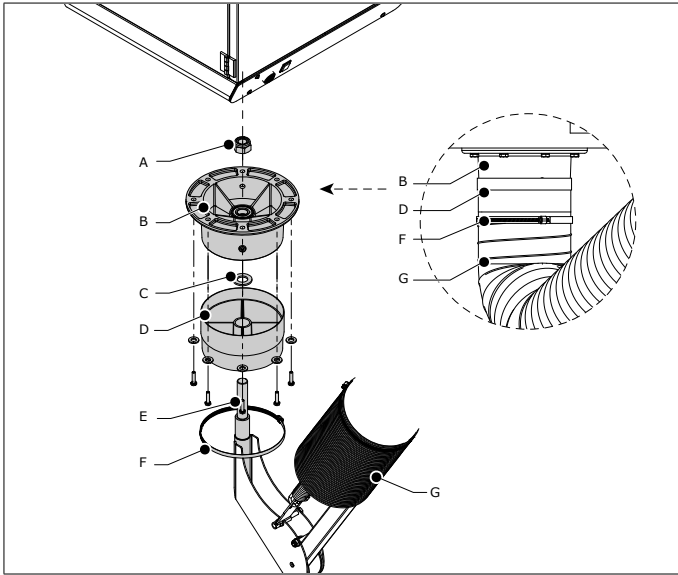


Fig. 4.2 Absaugarm an stationärer Filtereinheit

#### 4.5 Montage der Haube

Zur Montage der Absaughaube wie folgt vorgehen.

*Schlaucharm (EconomyArm): siehe Fig. 4.3*

*Metallrohr-Arm (KUA): siehe Fig. 4.4*

- Das am Haubengelenk befestigte Befestigungsmaterial lösen.
- Die Absaughaube (G) mit Schraube (F), zwei Unterlegscheiben (E), zwei Federscheiben (D) und Sicherungsmutter (C) montieren.
- Haubenkragen (H) an der Absaughaube (G) befestigen. Dabei mit der Lasche befestigen.
- Schlauchrohr (A) an der Absaughaube anschließen.
- Schlauchrohr mit einer Schlauchklemme (B) befestigen.

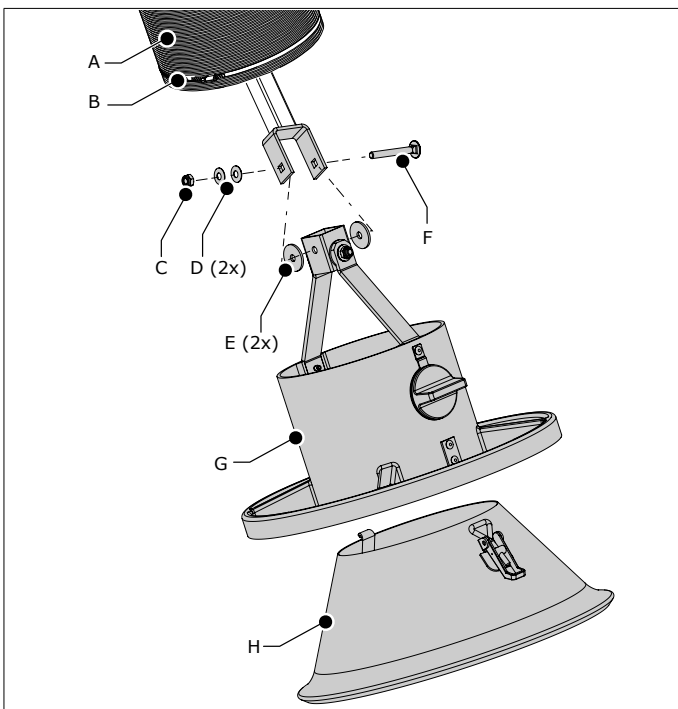


Fig. 4.3 Montage der Haube (Schlaucharm)

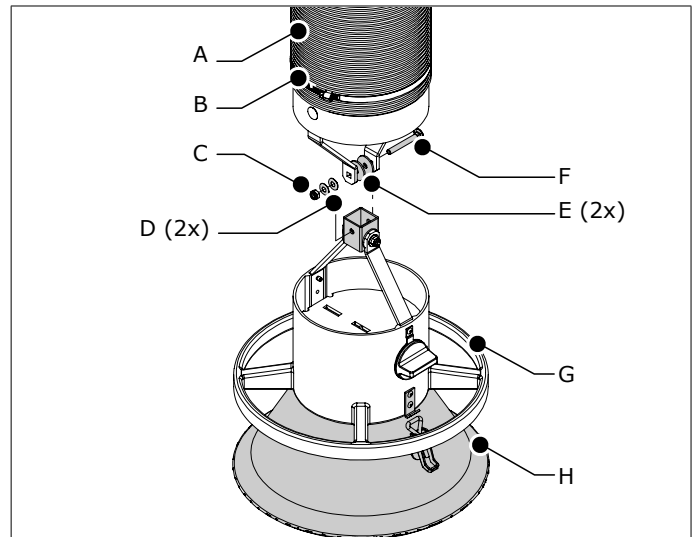


Fig. 4.4 Montage der Haube (Metallrohr-Arm)

#### 4.6 Bedienelement

- Bedienelement an einem geeigneten Ort installieren.
- Bedienelement gemäß dem separat gelieferten Schaltplan an der Filtereinheit und am Netz anschließen.

## 5 BETRIEB



#### WARNUNG!

Feuergefahr! Das Produkt nicht gebrauchen für Polierarbeiten in Kombination mit Schleif-, Schweiß- oder anderen funkenzeugenden Arbeiten.

**Siehe Kapitel 3 / Sicherheitsvorschriften / Gebrauch.**

#### 5.1 Bedienfeld

MonoGo umfaßt eine separate Fernbedienung um die Einheit ein- und auszuschalten. Bedienelemente und Kontrolllampen:

Fig. 5.1

A Summer (Wartungsanzeige)

B Kontrollleuchte

C Bedienelement mit Drehschalter 0-1

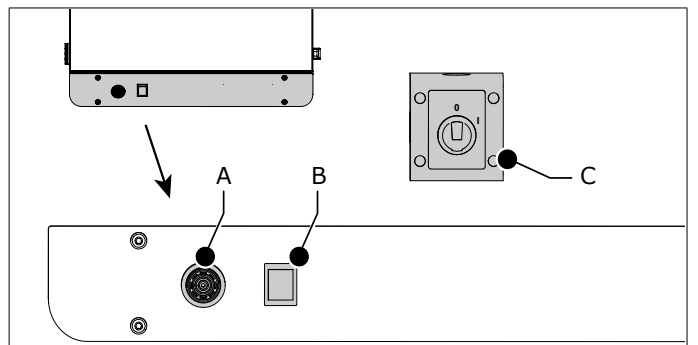



Fig. 5.1 Bedienelement und Kontrolllampe

#### 5.2 Gebrauch


- Die Absaughaube auf 400-800 mm Abstand von der Verschmutzungsquelle bringen. Siehe Fig. IV auf Seite 53 für die richtige Position.
- Sicherstellen, dass die Absperrklappe (siehe Fig. 2.1F geöffnet ist).
- Die Einheit einschalten (siehe Fig. 5.1C).
- Die Schweißarbeiten beginnen.

- Bei einem Wechsel der Schweißposition die Haube auf die zur Schweißnaht bezogene korrekte Position einstellen.

	<b>WARNUNG</b>
	Um den Schweißrauch fern von der Atemzone des Schweißers zu halten, muss der gesamte Schweißrauch von der Absaughaube erfasst werden.

- Ca. 20 Sekunden nach Beendigung der Schweißarbeiten die Einheit ausschalten.


Ist der Abluftstrom während des Betriebs zu niedrig, dann ertönt ein akustischer Alarm (siehe Fig. 5.1A). Für die Störungssuche und Störungsabhilfe siehe Kapitel 7.

	<b>ACHTUNG</b>
	Bei einem nicht rechtzeitigen Austausch von Vorfilter und/oder HEPA-Kassettenfilter wird die Absaugleistung (der Absaugluftstrom) weiter sinken.

## 6 WARTUNG

### 6.1 Regelmäßige Wartung

Das Produkt wurde so entworfen, dass es bei minimalem Wartungsaufwand langfristig störungsfrei funktioniert. Damit dies gewährleistet ist, müssen jedoch einige einfache, regelmäßig auszuführende Wartungs- und Reinigungsarbeiten durchgeführt werden, die in diesem Kapitel beschrieben werden. Sofern Sie mit der gebotenen Vorsicht vorgehen und die Wartungsarbeiten regelmäßig durchführen, werden mögliche Störungen meistens entdeckt und können sie beseitigt werden, bevor sie zum Stillstand führen.

	<b>WARNUNG</b>
	Überfällige Wartung kann Feuer verursachen.

Die angegebenen Wartungsintervalle hängen von den jeweiligen Arbeits- und Betriebsbedingungen ab. Daher wird -zusätzlich zu der in dieser Anleitung angegebenen regelmäßigen Wartung- empfohlen, das Produkt einmal pro Jahr einer gründlichen Gesamtinspektion zu unterziehen. Wenden Sie sich zu diesem Zweck an Ihren Händler.


Komponent	Tätigkeit	Frequenz: alle X Monate	
		X=6	X=12
<b>Filtereinheit</b>			
Gehäuse	Das Äußere mit einem milden Reinigungsmittel reinigen.		X
	Das Innere mit einem Industriestaubsauger reinigen und den Staub aus dem Filterkompartiment entfernen.		X
	Das Dichtungsmaterial kontrollieren. Falls erforderlich austauschen.		X
Ventilator	Auf Schmutzverkrustungen kontrollieren. Falls erforderlich reinigen.		X
Netzkabel	Auf Beschädigung kontrollieren. Falls erforderlich reparieren bzw. austauschen.	X *)	
<b>Absaugarm</b>			
Röhren	Das Äußere mit einem milden Reinigungsmittel reinigen	X	
	Das Innere gründlich reinigen	X	

Komponent	Tätigkeit	Frequenz: alle X Monate	
		X=6	X=12
Schläuche	Auf Risse und Beschädigungen kontrollieren. Falls erforderlich austauschen	X	
Haube	Die ordnungsgemäße Funktion der Haube kontrollieren. Gegebenenfalls die Reibung einstellen; siehe Abschnitt 6.3	X	
Arm-bewegung	Die horizontalen, vertikalen und diagonalen Bewegungsmöglichkeiten des Absaugarms überprüfen. Gegebenenfalls die Reibung einstellen; siehe Abschnitt 6.3	X	

\*) Vor jedem Einsatz





### 6.2 Filteraustausch

Bei einem zu niedrigen Absaugluftstrom ertönt ein akustischer Alarm.

	Sicherstellen, dass:
	- die Absperrklappe geöffnet ist - den Absaugarm nicht vollständig gefaltet ist

Bei fortgesetztem Alarm den/die Kassettenfilter austauschen.

Da die Vorfilter-Kassette kleiner und dadurch schneller gesättigt als der HEPA-Kassettenfilter ist, muss die Vorfilter-Kassette mehrmals getauscht werden, ehe ein Tausch des HEPA-Kassettenfilters fällig ist.

		<b>Persönliche Schutzausrüstung (PSA)</b> Beim Austauschen der Kassettenfilter Atemschutz und Schutzhandschuhe tragen.
	<b>WARNUNG</b> Kassettenfilter <b>nicht</b> während des Ventilatorbetriebs austauschen!	
	<b>WARNUNG</b> Um keine Partikel freizusetzen, <b>niemals</b> gebrauchte Filterpatronen ausschütteln, reinigen oder absaugen.	

#### 6.2.1 Vorfilter-Kassette

Um die Vorfilter-Kassette auszutauschen wie folgt vorgehen.

Fig. 6.1

- Die Einheit vom Netz trennen.
- Tür (A) öffnen.
- Die Vorfilter-Kassette (B) entfernen
- Die gebrauchte Vorfilter-Kassette gemäß den örtlich gültigen Bestimmungen entsorgen.
- Neue Vorfilter-Kassette einsetzen. Der auf dem Rahmen befindliche Pfeil muss nach oben<sup>6</sup> zeigen.
- Tür schließen und verriegeln.

6. Der Pfeil zeigt die Luftstromrichtung an



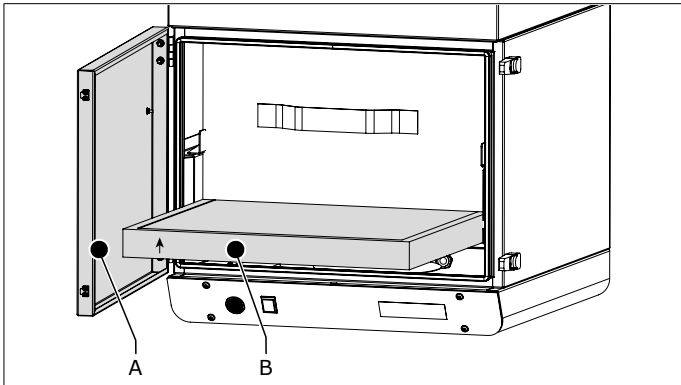


Fig. 6.1 Austausch der Vorfilter-Kassette

Bei fortgesetztem Alarm nach dem Austausch der Vorfilter-Kassette, ist ein Austausch des HEPA-Kassettenfilters fällig.

### 6.2.2 HEPA-Kassettenfilter

Um den HEPA-Kassettenfilter auszutauschen wie folgt vorgehen.

Fig. 6.2

- Die Einheit vom Netz trennen.
- Fronttür (A) öffnen.
- Vorfilter-Kassette entfernen.
- Flügelmutter (C) lösen und die Laschen (B) in aufrechte Position versetzen. Sicherstellen, dass sich der Handgriff der Flügelmutter in vertikaler Position befindet.
- HEPA-Kassettenfilter (D) entfernen.
- Den gebrauchten Kassettenfilter gemäß den örtlich gültigen Bestimmungen entsorgen.

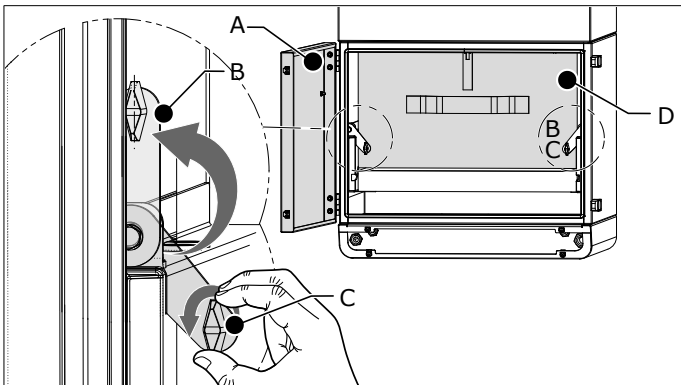


Fig. 6.2 Entnehmen des HEPA-Kassettenfilters

Fig. 6.3

- Neuen HEPA-Kassettenfilter einsetzen. Die seitlichen Stifte passen genau in die Schlitze (A) in dem Gehäuse.
- HEPA-Kassettenfilter mit den Laschen verriegeln (B). Die Laschen unbedingt in die Schlitze (in einem Winkel von 45 Grad) drücken.
- Flügelmutter wieder festdrehen.
- Die Vorfilter-Kassette wieder einsetzen. Der auf dem Rahmen befindliche Pfeil muss nach oben zeigen. upwards?
- Close and lock the door.

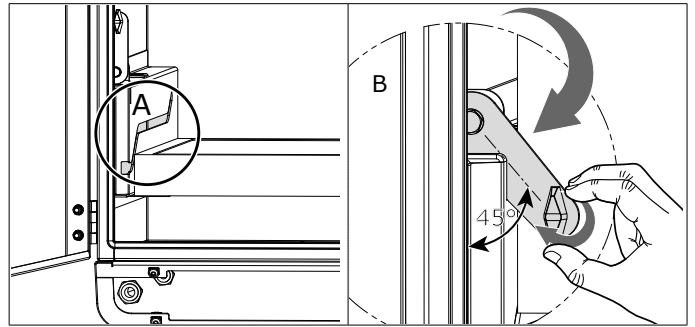


Fig. 6.3 Schlitze + Laschen (links + rechts)

### 6.3 Einstellung des Absaugarms

Verbleibt der Absaugarm ganz oder teilweise nicht in gewünschter Position, muß die Reibung neu eingestellt werden.

#### 6.3.1 Schlaucharm (EconomyArm)

- Feststellen, welches Gelenk mehr oder weniger Reibung benötigt.
- Schlauchrohr lösen, um Zugriff auf die Scharniere zu erhalten.
- Absaugarm in eine horizontale Position ziehen.
- Reibung einstellen; siehe die Einstellpunkte in Fig. VI auf Seite 54.

#### 6.3.2 Metallrohr-Arm (KUA)

- Feststellen, welches Gelenk mehr oder weniger Reibung benötigt.
- Schlauch für Zugriff auf das Scharnier an ermittelter Position lösen.
- Absaugarm in eine horizontale Position ziehen.
- Reibung einstellen; siehe die Einstellpunkte in Fig. VI auf Seite 54.

## 7 FEHLERBEHEBUNG

Wenn die Einheit nicht oder nicht ordnungsgemäß funktioniert, dann können Sie möglicherweise anhand der folgenden Checkliste die Störung selbst beheben. Wenn dies nicht der Fall ist, wenden Sie sich bitte an Ihren Händler.



### WARNUNG

Beim Ausführen der untenstehenden Arbeiten die in Kapitel 3 beschriebenen Sicherheitsvorschriften befolgen.

7. Der Pfeil zeigt die Luftstromrichtung an. Eine nicht korrekt eingebaute Vorfilterkassette beeinträchtigt die Filterlebensdauer.

Störung	Problem	Mögliche Ursache	Lösung
Der Ventilator springt nicht an	Die Einheit funktioniert nicht	Keine Netzspannung	An Netzspannung anschließen
		Die thermische Überlastsicherung ist aktiviert	- Ventilator und Motor überprüfen und Ursache des Problems beseitigen - Zum Zurücksetzen die hinter der Frontplatte befindlichen rote Taste drücken. Siehe Fig. V auf Seite 53.
		Netzkabel defekt	Netzkabel reparieren bzw. austauschen
		Kontakte gelöst	Die Kontakte reparieren
Grüne LED leuchtet, Ventilator läuft jedoch nicht an	Die Einheit funktioniert nicht	Motor defekt	Motor reparieren bzw. austauschen
		Relais defekt	Relais austauschen
		Thermisches Relais defekt	Thermisches Relais austauschen
Unzureichende Absaugleistung	Die Einheit funktioniert nicht richtig	Motor defekt	Motor reparieren bzw. austauschen
		Die Absperrklappe in der Haube des Absaugarms ist (teilweise) geschlossen	Absperrklappe (vollständig) öffnen
		Verstopfte Filter & Drucksensor nicht angeschlossen	Anschluss der Druckrohre reparieren
Der Summer gibt ein akustisches Warnsignal	Unzureichende Absaugleistung	Filter gestättigt & Drucksensor defekt	Drucksensor und Vorfilter-Kassette austauschen
		Vorfilter gesättigt	Vorfilter-Kassette austauschen
Absaugarm verbleibt nicht in gewünschter Position	Rauch entweicht; keine korrekte Absaugung	HEPA-Filter gesättigt	HEPA-Kassettenfilter austauschen
		Reibung ist nicht korrekt eingestellt	Reibung einstellen; siehe die Einstellpunkte in Fig. VI auf Seite 54
Arm lässt sich nicht in gewünschte Position verstellen			

## 8.2 Absaugarm

Die nachfolgenden Ersatzteile sind für die Absaugarme erhältlich;

- Schlaucharm (EconomyArm): siehe Explosionszeichnung Fig. VII auf Seite 55
- Metallrohr-Arm (KUA): siehe Explosionszeichnung Fig. VIII auf Seite 57

## 9 SCHALTPLAN

Siehe den separat beigefügten Schaltplan.

## 10 ENTSORGUNG

Demontage und Entsorgung ausschließlich von dafür qualifizierten Personen ausführen lassen.



**Persönliche Schutzausrüstung (PSA)**  
Bei der Demontage und Entsorgung Atemschutz und Schutzhandschuhe tragen.

### 10.1 Demontage

Für eine sichere Demontage unbedingt folgende Sicherheitsanweisungen beachten.

Vor der Demontage:

- Einheit von der Netzspannung abklemmen
- Außenseite reinigen

Während der Demontage:

- Sicherstellen, dass der Demontebereich ausreichend belüftet wird, z. B. über eine mobile Belüftungseinheit

Nach der Demontage:

- Demontebereich reinigen

### 10.2 Entsorgung

Anfallende Schmutzstoffe und Staub zusammen mit den gebrauchten Filter in Übereinstimmung mit den gesetzlichen Bestimmungen professionell entsorgen.

## EG-KONFORMITÄTSERKLÄRUNG

### EG-Konformitätserklärung für Maschinen

Wir, Plymovent Manufacturing B.V., Koraalstraat 9, 1812 RK Alkmaar, die Niederlande, erklären hiermit eigenverantwortlich dass die Produkte:

- MonoGo
- MonoGo<sup>plus</sup>

worauf sich diese Erklärung bezieht, hergestellt sind: gemäß den Bestimmungen der folgenden Richtlinien:

- Richtlinie für Maschinen 2006/42 EC
- EMV 2014/30 EU
- LVD 2014/35 EU
- ErP-Richtlinie 2009/125 EC

Unterschrift:

Name: M.S.J. Ligthart  
Funktion: Product Manager  
Ausgabedatum: den 1. Mai 2018

## 8 ERSATZTEILE

### 8.1 Filtereinheit

Die nachfolgenden Ersatzteile sind für die Filtereinheit erhältlich;

- siehe Explosionszeichnung Fig. IX auf Seite 59

## AVANT-PROPOS

### Utilisation du manuel

This manual is intended to be used as a work of reference for professional, well trained and authorised users to be able to safely install, use, maintain and repair the product mentioned on the cover of this document.

### Pictogrammes et symboles

Dans ce manuel, il est fait usage des pictogrammes et symboles suivants :

	<b>CONSEIL</b> Suggestions et conseils en vue de faciliter l'exécution des divers travaux ou manipulations.
	<b>ATTENTION</b> Remarque avec complément d'information pour l'utilisateur. Remarque attirant l'attention de l'utilisateur sur d'éventuels problèmes.
	<b>AVERTISSEMENT</b> Procédures qui, à défaut d'être exécutées avec les précautions nécessaires, peuvent occasionner l'endommagement du produit, de l'atelier ou de l'environnement.
	<b>MISE EN GARDE</b> Procédures qui, à défaut d'être exécutées avec les précautions nécessaires, peuvent occasionner un endommagement sévère du produit ou une lésion corporelle.
	<b>AVERTISSEMENT</b> Risque de tension électrique.
	<b>MISE EN GARDE</b> Risque de feu! Avertissement important pour la prévention des incendies.
	<b>MISE EN GARDE</b> Risque d'explosion! Avertissement important pour la prévention des explosions.
	<b>Equipement de protection individuelle (EPI)</b> Instructions d'emploi d'une protection respiratoire lorsque vous effectuez des travaux de service, d'entretien et de réparation, ainsi que lors de la réalisation de tests fonctionnels. Nous vous recommandons d'utiliser un demi-masque conformément à la norme EN 149:2001 + A1:2009, classe FFP3 (Directive 89/686/EEC).
	<b>Equipement de protection individuelle (EPI)</b> Instructions d'emploi de gants de protection lorsque vous effectuez des travaux de service, d'entretien et de réparation.

### Indicateurs de texte

Les listes désignées par « - » (trait d'union) concernent les énumérations.

Les listes désignées par « • » (puce) concernent les étapes à suivre.

### Service et assistance technique

Pour toute information concernant des réglages spécifiques, des travaux d'entretien et de réparation qui sortent du cadre de ce manuel, veuillez prendre contact avec le fournisseur du produit. Ce fournisseur est toujours disposé à vous aider.

Assurez-vous que vous disposez des données suivantes :

- nom du produit
- numéro de série

Vous trouverez ces données sur la plaque d'identification.

## Indications de produit

Sauf indication spéciale, le contenu de ce manuel s'applique aussi bien au MonoGo qu'au MonoGo<sup>plus</sup>.

## 1 INTRODUCTION

### 1.1 Identification du produit

La plaque d'identification comporte les données suivantes :

- nom du produit
- numéro de série
- tension d'alimentation et fréquence
- puissance

### 1.2 Description générale

Le MonoGo est une unité de filtration stationnaire avec un ventilateur intégré et un bras d'aspiration. Il comprend un préfiltre à cassette et une cassette filtrante HEPA (tous deux jetables).

#### 1.2.1 Intensité d'utilisation

Nous vous recommandons d'utiliser le MonoGo pour le soudage occasionnel<sup>1</sup> et le soudage TIG. Le MonoGo<sup>plus</sup> est adapté aux activités de soudage occasionnelles ou régulières<sup>2</sup>.

### 1.3 Options et accessoires

Les produits suivants sont disponibles sous forme d'option et/ou d'accessoire :

- Bride de sortie pour connexion de conduit Ø 250 mm (10 po.)

### 1.4 Spécifications techniques

	MonoGo	MonoGo <sup>plus</sup>
<b>Dimensions et caractéristiques</b>		
Matériau (boîtier)	acier électro-zingué	
Poids (net), sans bras	78 kg (172 lb)	79,5 kg (175 lb)
<b>Filtres</b>		
Préfiltre à cassette :		
- matériau	polyester	polyester
- surface filtrante	1 m <sup>2</sup> (10.8 p <sup>2</sup> )	1 m <sup>2</sup> (10.8 p <sup>2</sup> )
- classification du filtre	ISO Coarse 70% selon ISO 16890	ISO Coarse 70% selon ISO 16890
Cassette filtrante HEPA :		
- matériau	fibre de verre	fibre de verre
- surface filtrante	15 m <sup>2</sup> (161 p <sup>2</sup> )	26 m <sup>2</sup> (280 p <sup>2</sup> )
- classe d'efficacité	E12 selon EN 1822-1:2009	E12 selon EN 1822-1:2009
Lavable	non	non
<b>Bras d'aspiration</b>		
Type	bras tuyau (EconomyArm)	bras métallique (KUA)
Longueur	2, 3 ou 4 m	2, 3 ou 4 m
Diamètre	Ø 160 mm (6.3 po.)	Ø 160 mm (6.3 po.)
Poids	<b>Type</b> <b>Poids</b>	<b>Type</b> <b>Poids</b>
	EA-2    11 kg (24.3 lb)	KUA-2    13,5 kg (29.8 lb)
	EA-3    13 kg (28.7 lb)	KUA-3    17 kg (37.5 lb)
	EA-4    15 kg (33.1 lb)	KUA-4    18 kg (39.7 lb)
<b>Ventilateur</b>		
Type de ventilateur	radial	
Capacité d'aspiration	max. 850 m <sup>3</sup> /h (500 CFM)	

1. env. 1 bobine de fil massif ou 7,5 kg (16,5 livres) d'électrodes par mois
2. env. 2 bobines de fil massif ou 15 kg (33 livres) d'électrodes par mois



Vitesse de ventilateur	2800 tr/min
Niveau sonore	67 dB(A) selon ISO 3746
<b>Données électriques</b>	
Puissance absorbée	1,1 kW (1.5 HP)
Tensions d'alimentation disponibles	- 115V/1ph/50Hz - 230V/1ph/50Hz
Boîtier interrupteur	24V
Conception de moteur	IEC
Classe d'efficacité énergétique	s-o
Câble d'alimentation	n'est pas compris
Fiche	n'est pas compris
<b>Classe de fumée de soudage</b>	
W3	selon ISO 15012-1:2013

### 1.4.1 Dimensions

Voir Fig. I à la page 52

### 1.5 Working range

Voir Fig. II à la page 52.

### 1.6 Conditions ambiantes et de processus

Température de processus :	
- min.	5°C (41°F)
- nom.	20°C (68°F)
- max.	70°C (158°F)
Humidité relative max.	90%
SApte à l'usage extérieure	non

### 1.7 Transport de la machine

Le fabricant ne peut être tenu pour responsable des dommages de transport après livraison du produit.

- Manipulez toujours avec précaution l'unité de filtration et le bras d'aspiration l'accompagnant.
- Démontez complètement le bras d'aspiration avant transport. Démontez le bras en exécutant la procédure de montage à l'envers. Ensuite, l'unité de filtration et le bras peuvent être transportés sur une palette dans l'emballage d'origine.
- Afin d'éviter tout dommage, attention que l'unité de filtration et le bras ne bougent pas sur la palette.

## 2 DESCRIPTION DE PRODUIT

### 2.1 Composants

Le produit se compose des composants et éléments principaux suivants :

Fig. 2.1

- A ventilateur + moteur
- B cassette filtrante HEPA
- C préfiltre à cassette
- D bras d'aspiration (montré: bras tuyau)
- E boîtier interrupteur
- F obturateur

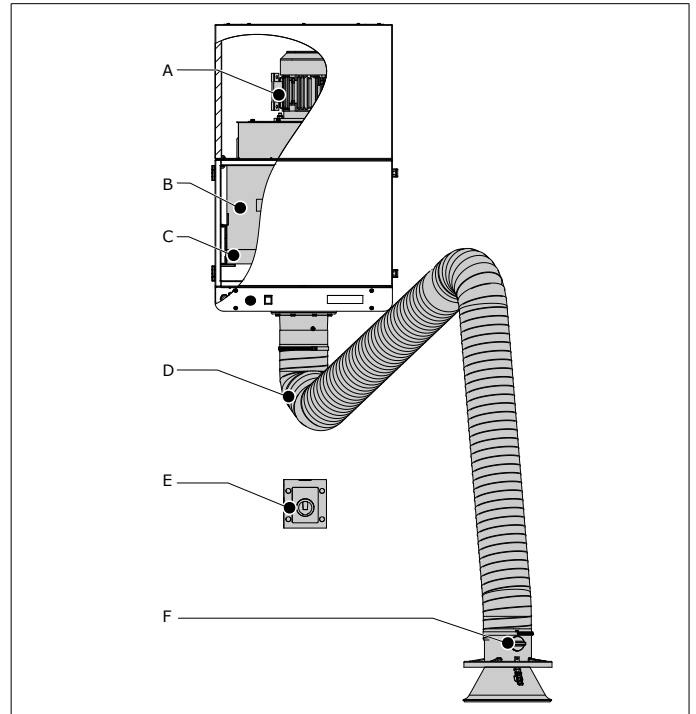


Fig. 2.1 Composants et éléments principaux

### 2.2 Fonctionnement

Le MonoGo fonctionne selon le principe de recyclage. La fumée de soudure est aspirée par le ventilateur intégré à la hotte du bras d'aspiration raccordé. L'air pollué passe à travers le préfiltre à cassette et il est nettoyé par la cassette filtrante HEPA.

L'air nettoyé est renvoyé dans l'atelier via la grille d'évacuation sur la côté supérieure de l'unité.

#### 2.2.1 Indication de remplacement de filtre

Le MonoGo est équipé d'un indicateur de service qui surveille le flux d'air. Il émet un signal sonore lorsqu'il est nécessaire de remplacer le ou les filtres.

## 3 INSTRUCTIONS DE SÉCURITÉ

### Généralités

Le fabricant décline toute responsabilité en cas de dommage ou de lésion corporelle résultant de la non observation (stricte) des consignes de sécurité et des instructions de ce manuel, ou de négligence durant l'installation, l'entretien et la réparation du produit figurant en première page de couverture de ce document et des éventuels accessoires correspondants. En fonction des conditions de travail spécifiques ou des accessoires employés, il est possible que des consignes de sécurité complémentaires s'imposent. Veuillez prendre immédiatement contact avec votre fournisseur si vous constatez un risque potentiel lors d'emploi du produit.

**L'utilisateur du produit est en tout temps entièrement responsable du respect des consignes et directives de sécurité locales en vigueur. Respectez donc toutes les consignes et directives applicables.**

### Manuel opérateur

- Toute personne qui travaille sur ou avec le produit est tenue de prendre connaissance de ce manuel et d'en observer scrupuleusement les instructions. La direction de l'entreprise doit instruire le personnel sur la base du manuel et de prendre en considération toutes les instructions et indications.
- Ne modifiez jamais l'ordre des opérations à effectuer.

- Conservez le manuel constamment à proximité du produit.

### Opérateurs

- L'utilisation du produit est réservée exclusivement aux opérateurs instruits et autorisés en ce sens. Intérimaires et personnes en formation ne doivent utiliser le produit que sous la supervision et la responsabilité d'un professionnel.
- Soyez constamment vigilant et concentrez-vous sur votre travail. N'utilisez pas le produit si vous êtes fatigués ou sous l'influence de drogues, d'alcool ou de médicaments.
- La machine n'est pas conçue pour être utilisée par des enfants ou des personnes ayant des capacités physiques, sensorielles ou mentales réduites, ou un manque d'expérience et de connaissance, si ces personnes ne sont pas surveillées ou n'ont pas reçu des instructions.
- Surveillez les enfants afin qu'ils ne jouent pas avec la machine.

### Emploi conforme à la destination<sup>3</sup>

Ce produit a été exclusivement conçu pour aspirer et filtrer les fumées et particules qui se dégagent lors des opérations de soudure et de coupage les plus courantes. Tout autre usage est considéré comme non conforme à la destination du produit. Le fabricant décline toute responsabilité en cas de dommage ou de lésion corporelle résultant de cet autre usage. Le produit est en conformité avec les normes et directives en vigueur. Utilisez le produit uniquement s'il se trouve en parfait état technique, conformément à la destination sus-décrite.

### Spécifications techniques

Les spécifications indiquées dans ce manuel ne doivent pas être modifiées.

### Modifications




La modification du produit ou des composants n'est pas autorisée.

### Installation

- L'installation du produit est réservée exclusivement aux techniciens instruits et autorisés en ce sens.
- La connexion électrique doit être effectuée en accord avec les exigences locales. Assurez-vous de la conformité aux dispositions des règlements CEM.
- Utilisez toujours, pendant l'installation, les équipements de protection individuelle (EPI) afin d'éviter les blessures. Ceci vaut également pour les personnes pénétrant dans la zone de travail pendant l'installation.
- Utiliser du matériel de grimpe et des dispositifs de protection adaptés si vous travaillez à une hauteur de plus de 2 mètres (il se peut que des restrictions locales s'appliquent).
- N'installez jamais le produit devant les entrées, sorties, et passages destinés aux services de secours.
- Portez attention aux conduites de gaz ou d'eau ainsi qu'aux câbles électriques.
- Assurez un bon éclairage du poste de travail.
- Soyez constamment vigilant et concentrez-vous sur votre travail. N'installez pas le produit si vous êtes fatigués ou sous l'influence de drogues, d'alcool ou de médicaments.
- Proscrivez le recyclage de l'air contenant des éléments de chrome, nickel, béryllium, cadmium, plomb, etc. Cet air doit toujours être évacué en dehors de l'atelier.

3. « Emploi conforme à la destination » tel arrêté dans la norme EN-ISO 12100-1 est l'usage pour lequel le produit technique est approprié d'après la spécification du fabricant - inclusivement ses indications dans la brochure de vente. En cas de doute, c'est l'usage que l'on peut normalement déduire de la construction, du modèle et de la fonction du produit. L'emploi conforme à la destination suppose également le respect des instructions du manuel opérateur.

### Utilisation

	<p><b>MISE EN GARDE</b>          Risque de feu! N'utilisez pas le produit à des fins de :          - polissage combiné au meulage, au soudage ou à toute autre application produisant des étincelles (les fibres des disques de polissage ou abrasifs à lamelles sont hautement inflammables et présentent un risque élevé d'incendies de filtres en cas d'exposition à des étincelles)          - vapeurs formées lors du gougeage          - l'aspiration et/ou de la filtration de particules ou de substances (liquides) inflammables, incandescentes ou brûlantes          - l'aspiration et/ou de la filtration des fumées agressives (telles que l'acide chlorhydrique) ou des particules coupantes          - l'aspiration et/ou de la filtration de particules de poussière qui se dégagent des travaux de soudure sur des surfaces traitées avec une peinture primaire          - aspirer des cigarettes brûlantes, cigares, linges à l'huile et autres particules, objets et acides brûlantes</p>
	<p><b>MISE EN GARDE</b>          Risque d'explosion! N'utilisez pas le produit pour des applications présentant des risques d'explosion, p. ex. :          - découpe au laser d'aluminium          - particules abrasives d'aluminium ou de magnésium          - environnements et substances/gaz explosifs</p>
	<p><b>MISE EN GARDE</b>          N'utilisez pas le produit à des fins de :          - vapeurs chaudes (d'une température dépassant les 70°C/158°F continuellement)          - projection à la flamme          - vapeurs d'huile          - brouillard d'huile dense dans la fumée de soudure          - extraction de ciment, de poussières de sciage, de poussières de bois, etc.</p>

- Inspectez le produit et assurez-vous qu'il n'est pas endommagé. Vérifiez le fonctionnement correct des dispositifs de sécurité.
- Utilisez toujours, pendant l'utilisation les équipements de protection individuelle (EPI) afin d'éviter les blessures. Ceci vaut également pour les personnes pénétrant dans la zone de travail pendant l'installation.
- Contrôlez la zone de travail. Interdisez l'accès de cette zone aux personnes non autorisées.
- Protégez le produit contre l'eau et l'humidité.
- Assurez toujours une aération suffisante, notamment dans les petits locaux.
- Assurez-vous de la présence d'un nombre suffisant d'extincteurs homologués (classes de feu ABC) dans l'atelier, à proximité du produit.
- Veillez à ne laisser traîner aucun outil dans ou sur le produit.
- Le circuit de retour du courant de soudage entre la pièce à souder et le poste de soudage dispose d'une faible résistance. Évitez par conséquent toute liaison entre la pièce à souder et le MonoGo, afin qu'il soit impossible que le courant de soudage ne retourne au poste de soudage via le conducteur de protection du MonoGo.

### Service, entretien et réparations

- Respectez le calendrier d'entretien indiqué dans ce manuel. Un retard dans les travaux d'entretien peut se traduire par des coûts élevés de réparations et de révisions et peut même entraîner l'annulation de la garantie.
- Utilisez toujours les équipements de protection individuelle (EPI) afin d'éviter les blessures. Ceci vaut également pour les personnes pénétrant dans la zone de travail.
- Assurez toujours une aération suffisante.

- Utilisez toujours des outils, pièces, matériaux, lubrifiants et techniques d'entretien et de réparation approuvés par le fabricant. Évitez l'usage des outils usés et veillez à ne laisser traîner aucun outil dans ou sur le produit.
- Utiliser du matériel de grimpe et des dispositifs de protection adaptés si vous travaillez à une hauteur de plus de 2 mètres (il se peut que des restrictions locales s'appliquent).
- Nettoyez ensuite la zone.

	<b>ATTENTION</b> Le service, l'entretien et les réparations doivent être effectués uniquement selon les directives TRGS 560 et TRGS 528 par des personnes agréées, qualifiées et expertes utilisant des méthodes de travail appropriées.
	<b>ATTENTION</b> Avant d'entreprendre les travaux de service, d'entretien et/ou de réparation : - débranchez l'unité
 	<b>Équipement de protection individuelle (EPI)</b> Portez une protection respiratoire et des gants de protection pendant le service, l'entretien et les réparations.
	<b>MISE EN GARDE</b> L'aspirateur industriel utilisé pendant l'entretien et la maintenance doit être conçu pour la classe de poussière H, conformément à la norme EN 60335-2-69 ou pour la classe HEPA (efficacité de $\geq 99.97\%$ à $0,3 \mu\text{m}$ ).

## 4 INSTALLATION

### 4.1 Outils et outillage

Les outils et l'outillage suivants sont nécessaires pour installer l'unité :

- outils de base
- chariot élévateur

#### 4.1.1 A acquérir localement

- quincaillerie pour le montage mural<sup>4</sup>
- câble d'alimentation 3G1.5 (3x1,5 mm<sup>2</sup>)
- presse-étoupe M20 (2)
- option: fiche<sup>5</sup>

### 4.2 Déballage

Contrôlez si le produit est complet. Le contenu de l'emballage se compose des éléments suivants :

#### Unité de filtration

- unité stationnaire, console murale inclus
- boulon M10x30 (2) + contre-écrou M10 (2) + rondelle (4)
- rondelle M6 (8)
- boulon M6x25 (8)

#### Bras d'aspiration

##### En cas d'un MonoGo : bras tuyau

- bras d'aspiration (pré-assemblé ; hors tuyau)
- tuyau
- collier de serrage (2)
- bride rotative
- joint tournant, manchon inclus
- hotte
- collet pour hotte avec toile métallique
- rondelle M20

- boulon hexagonal M6x25 (4)

##### En cas d'un MonoGo<sup>plus</sup> : bras métallique

- bras d'aspiration (pré-assemblé)
- bride rotative
- joint tournant, manchon inclus
- hotte
- collet pour hotte avec toile métallique
- rondelle M20
- boulon hexagonal M6x25 (4)

#### Équipement de commande

- boîtier interrupteur

### 4.3 Unité stationnaire



#### ATTENTION!

Avant d'installer l'unité, assurez-vous que le mur est suffisamment solide. Reportez-vous à la section 1.4 pour connaître le poids de l'unité.

- Référez-vous à la Fig. III à la page 52 afin de connaître la hauteur d'installation recommandée pour le support mural, ainsi que la configuration des trous du support mural.

Pour installer la console murale, procédez comme suit.

Fig. 4.1

- Le support mural est provisoirement fixé à l'unité par le biais d'un attache-câble. Coupez l'attache-câble.
- Installez le support mural (B) sur le mur. Utilisez les 4 points de montage.
- Soulevez l'unité et insérez les crochets (A) dans les encoches du support mural.
- Fixez l'unité au support mural à l'aide des boulons, contre-écrous et rondelles (C).

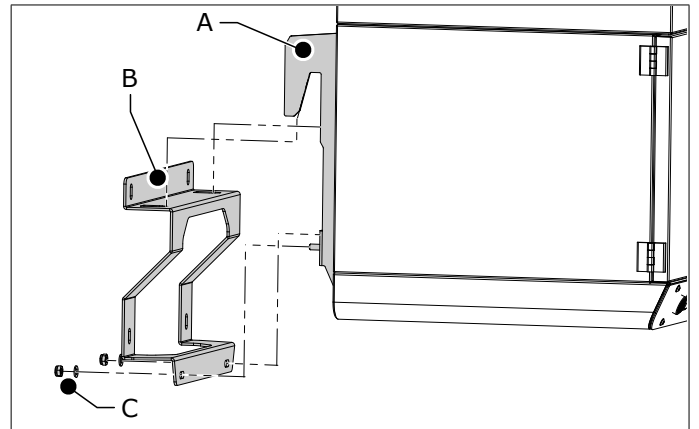


Fig. 4.1 Montage de la console murale

### 4.4 Bras sur unité fixe

Pour installer le bras d'aspiration, procédez comme suit.



#### CONSEIL

Effectuez un contrôle d'équilibrage du bras avant de fixer les tuyaux. Reportez-vous à la section 6.3.

Fig. 4.2

- Retirez le contre-écrou M20 (A) de la tige d'articulation (E).
- En cas d'un bras tuyau : placez le tuyau sur les tiges internes du bras.
- Déplacez le collier de serrage (F) et l'anneau pivotant du bras (y compris le manchon en caoutchouc) (D) sur la tige d'articulation (E).

4. Le type de quincaillerie dépend du type de mur

5. Alternative : raccordement direct au secteur + interrupteur principal supplémentaire

- Placez la rondelle M20 (C) sur l'anneau pivotant du bras (D).
- Placez la tige d'articulation (E) dans la bride rotative (B).
- Placez le tuyau (G) sur l'anneau pivotant du bras (D).
- Utilisez le manchon en caoutchouc pour rendre le raccordement étanche à l'air.
- Fixez le tuyau (G) à l'anneau pivotant (D) avec le collier de serrage (F).
- Placez le contre-écrou M20 (A) sur la tige d'articulation (E) et serrez-le.
- Installez l'ensemble sur l'unité de filtration avec les 8 boulons M6x25 + rondelles.

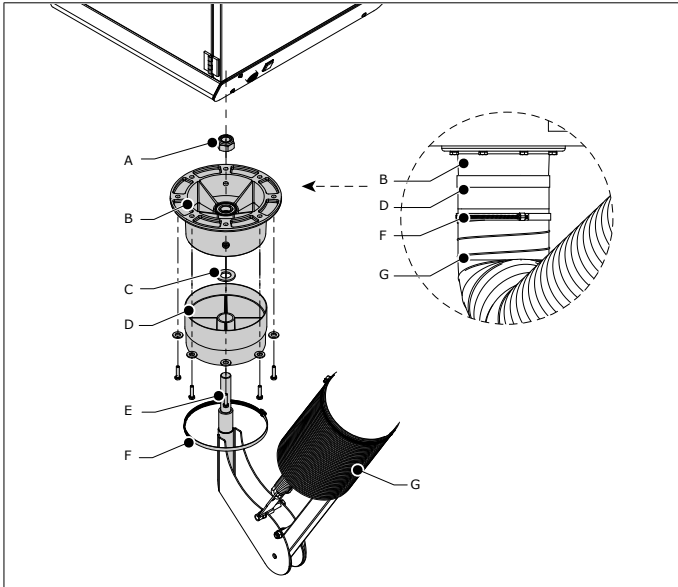


Fig. 4.2 Bras sur unité fixe

#### 4.5 Montage de la hotte

Pour installer la hotte, procédez comme suit.

*Bras tuyau (EconomyArm) : voir Fig. 4.3*

*Bras métallique (KUA) : voir Fig. 4.4*

- Desserrez les matériaux de fixation fixés à la charnière de la hotte.
- Installez la hotte d'aspiration (G) avec le boulon (F), 2 rondelles (E), 2 rondelles de ressort (D) et un contre-écrou (C).
- Installez le collet de la hotte (H) sur la hotte (G). Fixez-le avec l'attache.
- Installez le tuyau (A) sur la hotte.
- Fixez le tuyau avec le collier de serrage (B).

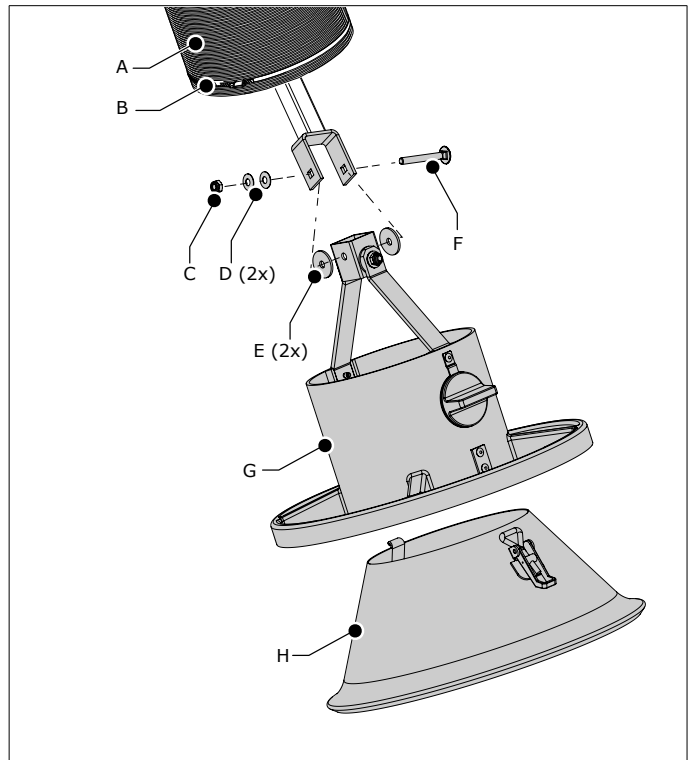


Fig. 4.3 Montage de la hotte (bras tuyau)

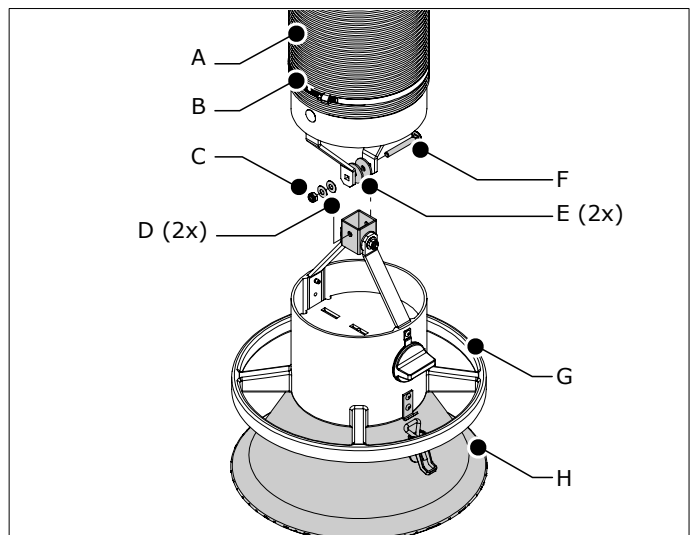


Fig. 4.4 Montage de la hotte (bras métallique)

#### 4.6 Boîtier interrupteur

- Installez le boîtier interrupteur à un endroit approprié.
- Raccordez le boîtier interrupteur à l'unité de filtration et au secteur, conformément au schéma électrique fourni séparément.

## 5 UTILISATION



#### MISE EN GARDE

Risque de feu! N'utilisez **pas** le produit pour des applications de polissage combiné au meulage, au soudage ou à toute autre application produisant des étincelles.

**Reportez-vous au chapitre 3 / Instructions de sécurité / Utilisation.**

## 5.1 Tableau de commande

Le MonoGo est équipé d'un boîtier interrupteur séparé permettant de mettre en marche et d'arrêter l'unité. Fonctions et indicateurs :

Fig. 5.1

- A Ronfleur (indicateur de service)
- B Voyant lumineux
- C Boîtier interrupteur avec interrupteur rotatif 0-1

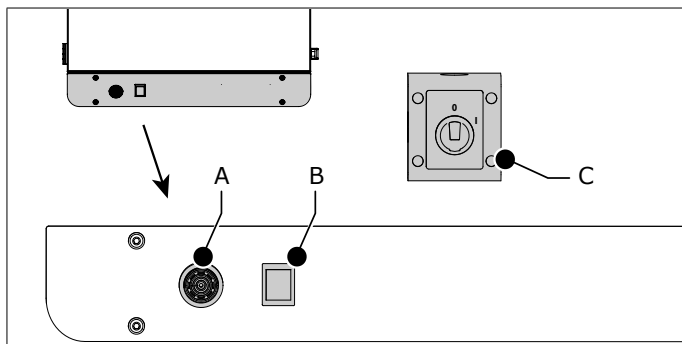


Fig. 5.1 Fonctions et indicateurs

## 5.2 Utilisation

- Placez la hotte du bras d'aspiration à une distance 400-800 mm (16-32 po.) au dessus de la source de pollution. Voir Fig. IV à la page 53 pour la position correcte.
- Vérifiez que l'obturateur (voir Fig. 2.1F) est ouvert.
- Mettez en marche l'unité (voir Fig. 5.1C).
- Commencez à souder.
- En cas de changement de position de soudure, dirigez la hotte correctement vers la soudure.

	<b>MISE EN GARDE</b> Afin que la fumée de soudure soit éloignée de la zone respiratoire du soudeur, assurez-vous que toute la fumée soit extraite par la hotte.
--	--

- Une fois le soudage terminé, attendez environ 20 secondes avant d'arrêter l'unité.

Lorsque le flux d'air est trop faible pendant l'utilisation, le ronfleur (voir Fig. 5.1A) émet une alarme sonore. Reportez-vous au chapitre 7 pour déterminer la cause possible et la solution.

	<b>ATTENTION</b> Si vous ne remplacez pas le préfiltre et/ou la cassette filtrante HEPA en temps utile, le flux d'air (capacité d'aspiration) continue de diminuer.
--	--

## 6 ENTRETIEN

### 6.1 Entretien périodique

Le produit a été conçu pour fonctionner longtemps sans problème et avec un minimum d'entretien. Pour vous en assurer, il faut néanmoins effectuer les indispensables opérations d'entretien et de nettoyage décrites dans ce chapitre. Si vous procédez avec les précautions nécessaires et assurez un entretien régulier, les éventuels problèmes seront généralement décelés et corrigés avant qu'ils n'occasionnent une panne.

	<b>MISE EN GARDE</b> Tout retard dans l'entretien peut provoquer un feu.
--	---

Le calendrier d'entretien indiqué peut varier en fonction des conditions de travail et d'exploitation. C'est pourquoi - outre le calendrier d'entretien périodique indiqué dans ce manuel - il est recommandé de soumettre chaque année la machine à une inspection générale et minutieuse. Pour cela, contactez votre fournisseur.

Composant	Opération	Fréquence : chaque X mois	
		X=6	X=12
<b>Unité de filtration</b>			
Boîtier	Nettoyez l'extérieur à l'aide d'un nettoyant doux.		X
	Nettoyez l'intérieur à l'aide d'un aspirateur industriel et éliminez la poussière du compartiment du filtre.		X
	Contrôlez le matériel d'étanchéité. Remplacez-le si nécessaire.		X
Ventilateur	Contrôlez quant à la présence de saleté incrustée. Nettoyez-le si nécessaire.		X
Câble d'alimentation	Vérifiez si il n'est pas endommagé. Remplacez-le si nécessaire.	X *)	
<b>Bras d'aspiration</b>			
Tubes	Nettoyez l'extérieur à l'aide d'un nettoyant doux	X	
	Nettoyez l'intérieur à fond	X	
Tuyaux	Vérifiez qu'il est exempt de fissures et non endommagé. Remplacez si nécessaire	X	
Hotte	Vérifiez les mouvements de la hotte. Réglez la friction, si nécessaire ; reportez-vous à la section 6.3	X	
Mouvement du bras	Vérifiez les mouvements horizontaux, verticaux et en diagonale du bras. Réglez la friction, si nécessaire ; reportez-vous à la section 6.3	X	

\*) Avant chaque usage

### 6.2 Remplacement des filtres

Le ronfleur émet un signal sonore lorsque le flux d'air est trop faible.

	Assurez vous que : - l'obturateur est ouvert - le bras d'aspiration n'est pas complètement plié
--	---

Quand le ronfleur continue d'émettre un signal sonore, vous devez remplacer la/les cassettes filtrantes.

Comme le préfiltre est plus petit et sature plus rapidement que le filtre HEPA, vous pouvez remplacer le préfiltre à cassette plusieurs fois avant de finalement devoir remplacer la cassette filtrante HEPA.

		<b>Equipement de protection individuelle (EPI)</b> Portez une protection respiratoire et des gants de protection lorsque vous remplacez les cassettes filtrantes.
	<b>MISE EN GARDE</b> Ne remplacez <b>pas</b> les cassettes filtrantes lorsque le ventilateur fonctionne.	



### MISE EN GARDE

Ne secouez et ne nettoyez (aspirez) **pas** les cassettes filtrantes usagées afin d'éviter de libérer des particules.

#### 6.2.1 Préfiltre à cassette

Pour remplacer le préfiltre à cassette, procédez comme suit.

Fig. 6.1

- Mettez l'unité hors tension.
- Ouvrez la porte (A).
- Retirez le préfiltre à cassette (B).
- Mettez le préfiltre à cassette usagé au rebut conformément aux réglementations fédérales, gouvernementales ou locales.
- Placez un nouveau préfiltre à cassette dans l'unité. Vérifiez que la flèche sur le châssis pointe vers le haut<sup>6</sup>.
- Fermez et verrouillez la porte.

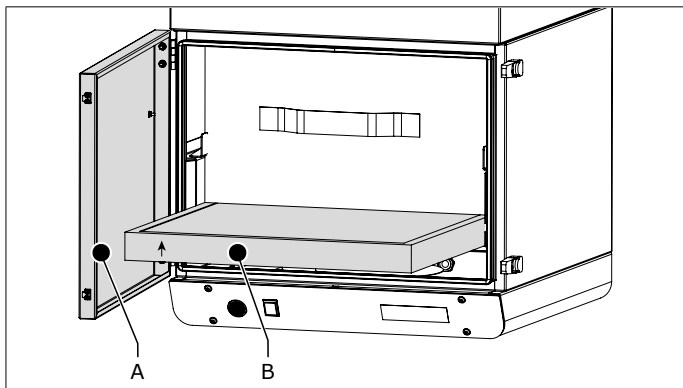


Fig. 6.1 Remplacement du préfiltre à cassette



Quand le ronfleur continue d'émettre un signal sonore après avoir remplacé le préfiltre à cassette, il est temps de remplacer la cassette filtrante HEPA.

#### 6.2.2 Cassette filtrante HEPA

Pour remplacer la cassette filtrante HEPA, procédez comme suit.

Fig. 6.2

- Mettez l'unité hors tension.
- Ouvrez la porte avant (A).
- Retirez le préfiltre à cassette.
- Desserrez les écrous papillon (C) et placez les attaches (B) en position verticale. Veillez à ce que la poignée de l'écrou papillon soit en position verticale.
- Soulevez doucement la cassette filtrante HEPA (D) et retirez-la.
- Mettez la cassette filtrante HEPA usagée au rebut conformément aux réglementations fédérales, gouvernementales ou locales.

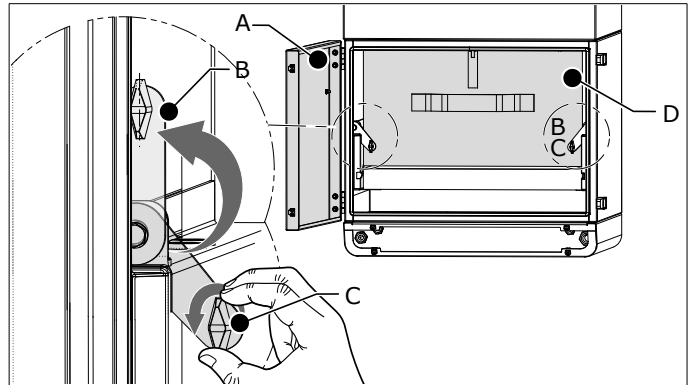


Fig. 6.2 Enlèvement de la cassette filtrante HEPA

Fig. 6.3

- Placez une cassette filtrante HEPA neuve dans l'unité. Les ergots latéraux s'ajustent parfaitement dans les entailles (A) dans le boîtier.
- Verrouillez la cassette filtrante HEPA avec les attaches (B). Veillez à enfoncer les attaches dans les fentes (angle de 45°).
- Serrez les écrous papillon.
- Remplacez le préfiltre à cassette dans le logement. Vérifiez que la flèche sur le châssis pointe vers le haut<sup>7</sup>.
- Fermez et verrouillez la porte.

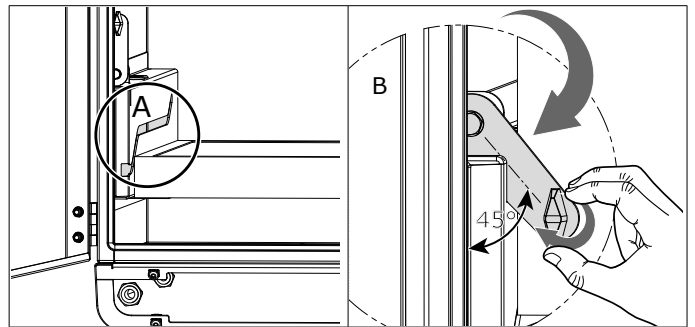


Fig. 6.3 Entailles + attaches (à deux cotés)

#### 6.3 Réglage du bras

Si le bras d'aspiration, ou une partie de celui-ci, ne reste pas dans la position souhaitée, vous devez régler le frottement.

##### 6.3.1 Bras tuyau (EconomyArm)

- Déterminez quelle articulation nécessite plus ou moins de frottement.
- Desserrez le tuyau pour accéder aux articulations.
- Tirez le bras en position horizontale.
- Réglez le frottement ; référez-vous à la Fig. VI à la page 54 pour connaître les points de réglage.

##### 6.3.2 Bras métallique (KUA)

- Déterminez quelle articulation nécessite plus ou moins de frottement.
- Desserrez le tuyau à cet endroit pour accéder à l'articulation.
- Tirez le bras en position horizontale.
- Réglez le frottement ; référez-vous à la Fig. VI à la page 54 pour connaître les points de réglage.

## 7 RÉPARATION DES PANNES

Si l'unité ne fonctionne pas (correctement), consultez la liste de vérifications suivantes pour voir si vous pouvez remédier vous-même au problème. Si ce n'est pas le cas, contactez votre fournisseur.

6. La flèche indique le sens du flux d'air

7. La flèche indique le sens du flux d'air. Un mauvais placement du préfiltre à cassette affecte la durée de vie du filtre.



**MISE EN GARDE**

Respectez les règles de sécurité indiquées dans le chapitre 3 lorsque vous effectuez les activités ci-dessous.

Signalisation	Problème	Cause possible	Remède
Le ventilateur ne démarre pas	L'unité ne fonctionne pas	Absence de courant secteur	Raccordez la tension secteur
		La protection contre la surcharge thermique est activée	- Examinez le ventilateur et le moteur pour déterminer la cause et remédier au problème - Appuyez sur le bouton rouge situé derrière le panneau avant pour effectuer une réinitialisation. Voir Fig. V à la page 53
		Câble d'alimentation défectueux	Réparez ou changez le câble d'alimentation
		Faux contacts	Réparez les contacts
La DEL verte est allumée mais le ventilateur ne tourne pas	L'unité ne fonctionne pas	Le relais est défectueux	Remplacez le relais
		Le relais thermique est défectueux	Remplacez le relais thermique
		Moteur défectueux	Réparez ou changez le moteur
Capacité d'aspiration insuffisante	L'unité ne fonctionne pas correctement	L'obturateur se trouvant dans la hotte du bras d'aspiration est (partiellement) fermé	Ouvrez (entièrement) l'obturateur
		Filtres obstrués & raccordement desserré du capteur de pression	Réparez le raccordement des tubes de pression
		Filtres obstrués & capteur de pression défectueux	Remplacez le capteur de pression & le préfiltre à cassette Remplacez aussi la cassette filtrante HEPA
Le ronfleur émet un signal sonore	Capacité d'aspiration insuffisante	Préfiltre obstrué	Remplacez le préfiltre à cassette
		Filtre HEPA obstrué	Remplacez la cassette filtrante HEPA

Signalisation	Problème	Cause possible	Remède
Le bras d'aspiration ne reste pas dans la position souhaitée	Échappement de fumée ; aspiration insuffisante	Le réglage du frottement est incorrect	Réglez le frottement ; voir Fig. VI à la page 54 pour connaître les points de réglage
Vous ne pouvez pas mettre le bras dans la position souhaitée			

**8 PIÈCES DÉTACHÉES****8.1 Unité filtrante**

Les pièces détachées suivantes sont disponibles pour l'unité filtrante ;

- voir la vue éclatée Fig. IX à la page 59

**8.2 Bras d'aspiration**

Les pièces détachées suivantes sont disponibles pour les bras d'aspiration ;

- bras tuyau (EconomyArm): voir la vue éclatée Fig. VII à la page 55
- bras métallique (KUA): voir la vue éclatée Fig. VIII à la page 57

**9 SCHÉMA ÉLECTRIQUE**

Reportez-vous au schéma électrique fourni séparément.

**10 METTRE AU REBUT**

Le démontage et la mise au rebut de l'unité doivent être effectués par des personnes qualifiées.

**Équipement de protection individuelle (EPI)**

Portez une protection respiratoire et des gants de protection lorsque vous démontez et mettez l'unité au rebut.

**10.1 Démontage**

Afin de démonter l'unité en toute sécurité, respectez les instructions de sécurité qui suivent.

Avant le démontage de l'unité :

- débranchez-la du secteur
- nettoyez l'extérieur

Lors du démontage de l'unité :

- vérifiez que la zone est suffisamment ventilée, p. ex. par une unité de ventilation mobile

Après le démontage de l'unité :

- nettoyez la zone de démontage

**10.2 Mettre au rebut**

Éliminez les polluants et la poussière, avec les filtres usagés, d'une manière professionnelle, conformément aux réglementations fédérales, gouvernementales ou locales.

---

---

## DÉCLARATION DE CONFORMITÉ

### Déclaration CE de Conformité pour les machines

Nous, soussignés, Plymovent Manufacturing B.V., Koraalstraat 9, 1812 RK Alkmaar, Pays-Bas, déclarons que les machines désignées ci-après :

- MonoGo
- MonoGo<sup>plus</sup>

à lesquelles la présente déclaration se rapporte, sont conformes aux dispositions de la ou des Directives suivantes :

- Directive Machines 2006/42 EC
- EMC 2014/30 EU
- LVD 2014/35 EU
- Directive ErP 2009/125 EC

Signature :



Nom : M.S.J. Ligthart  
Poste : Product Manager  
Date d'émission : le 1er mai 2018



## PREÁMBULO

### Acerca de este manual

Este manual se editó en concepto de documento de referencia para usuarios profesionales, cualificados y debidamente autorizados. Utilizando dicho manual podrá instalar, hacer funcionar, mantener y reparar de una forma segura el producto que se indica en la cubierta.

### Pictogramas y símbolos

En el presente manual figuran los siguientes pictogramas y símbolos:

	<b>CONSEJO</b> Sugerencias e indicaciones acerca de la manera de realizar con mayor facilidad las tareas y actuaciones que se describen.
	<b>¡ATENCIÓN!</b> Comentario sobre información adicional para el usuario. El comentario alerta al usuario de posibles problemas.
	<b>¡CUIDADO!</b> Advierte sobre operaciones las cuales, en caso de no ejecutarse con el debido cuidado, pueden causar algún desperfecto en el producto, daños en el entorno o perjudicar el medio ambiente.
	<b>¡ADVERTENCIA!</b> Advierte sobre operaciones las cuales, en caso de no ejecutarse con el debido cuidado, pueden conducir a serios desperfectos en el producto y lesionar a las personas.
	<b>¡CUIDADO!</b> ¡Peligro de descargas eléctricas!
	<b>¡ADVERTENCIA!</b> ¡Peligro de incendio! Advertencia importante para evitar incendios.
	<b>¡ADVERTENCIA!</b> ¡Peligro de explosión! Advertencia importante para evitar explosiones.
	<b>Equipo de protección personal (EPP)</b> Instrucciones para usar protección respiratoria cuando realice tareas de asistencia, mantenimiento y reparación, así como durante pruebas de funcionamiento. Recomendamos usar una máscara de media cara conforme a EN 149:2001 + A1:2009, clase FFP3 (Directiva 89/686/EEC).
	<b>Equipo de protección personal (EPP)</b> Instrucciones para usar guantes de protección cuando realice tareas de asistencia, mantenimiento y reparación.

### Indicadores de texto

Los listados indicados mediante un “-” (guión) se refieren a enumeraciones.

Los listados indicados mediante un “•” (punto) se refieren a pasos que hay llevar a cabo.

### Servicio posventa

Con relación a determinados ajustes, tareas de mantenimiento y reparaciones que no se tratan en el presente manual, se ruega dirigirse al proveedor del producto. Con mucho gusto le facilitarán la información deseada. Dado el caso, se ruega tener preparados los siguientes datos:

- denominación del producto
- número de serie

Estos datos figuran en la placa de características.

## Indicaciones de producto

A no ser que se haya indicado específicamente, el contenido de este manual es aplicable al MonoGo y MonoGo<sup>plus</sup>.

## 1 INTRODUCCIÓN

### 1.1 Identificación del producto

La placa de características contiene los siguientes datos:

- denominación del producto
- número de serie
- tensión de conexión y frecuencia
- potencia

### 1.2 Descripción general

El MonoGo es una unidad de filtración fija con un ventilador integrado y un brazo de aspiración. Presenta un casete de prefiltro y un casete de filtro HEPA (ambos desechables).

#### 1.2.1 Intensidad de uso

Recomendamos usar el MonoGo para soldaduras ocasionales<sup>1</sup> y soldadura TIG. El MonoGo<sup>plus</sup> es idóneo para actividades de soldadura ocasionales y regulares<sup>2</sup>.

### 1.3 Opciones y accesorios

Los productos siguientes pueden obtenerse como opción o accesorio:

- Brida de salida para conexión de conducto Ø 250 mm (10 pulg.)

### 1.4 Datos técnicos

	MonoGo	MonoGo <sup>plus</sup>																
<b>Dimensiones y características</b>																		
Material (caja)	acero electro zincado																	
Peso (sin brazo)	78 kg (172 lbs)	79,5 kg (175 lbs)																
<b>Filtros</b>																		
Casete de prefiltro:																		
- material	poliéster	poliéster																
- superficie del filtro	1 m <sup>2</sup> (10.8 pie <sup>2</sup> )	1 m <sup>2</sup> (10.8 pie <sup>2</sup> )																
- clasificación filtro	ISO Coarse 70% según ISO 16890	ISO Coarse 70% según ISO 16890																
Casete de filtro HEPA:																		
- material	fibra de vidrio	fibra de vidrio																
- superficie del filtro	15 m <sup>2</sup> (161 pie <sup>2</sup> )	26 m <sup>2</sup> (280 pie <sup>2</sup> )																
- nivel de eficiencia	E12 según EN 1822-1:2009	E12 según EN 1822-1:2009																
Lavable	no	no																
<b>Brazo de aspiración</b>																		
Tipo	brazo de tubo manguera (EconomyArm)	brazo de tubo metálico (KUA)																
Longitud	2, 3 o 4 m	2, 3 o 4 m																
Diámetro	Ø 160 mm (6.3 pulg.)	Ø 160 mm (6.3 pulg.)																
Peso	<table border="1"><thead><tr><th>Tipo</th><th>Peso</th></tr></thead><tbody><tr><td>EA-2</td><td>11 kg (24.3 lbs)</td></tr><tr><td>EA-3</td><td>13 kg (28.7 lbs)</td></tr><tr><td>EA-4</td><td>15 kg (33.1 lbs)</td></tr></tbody></table>	Tipo	Peso	EA-2	11 kg (24.3 lbs)	EA-3	13 kg (28.7 lbs)	EA-4	15 kg (33.1 lbs)	<table border="1"><thead><tr><th>Tipo</th><th>Peso</th></tr></thead><tbody><tr><td>KUA-2</td><td>13,5 kg (29.8 lbs)</td></tr><tr><td>KUA-3</td><td>17 kg (37.5 lbs)</td></tr><tr><td>KUA-4</td><td>18 kg (39.7 lbs)</td></tr></tbody></table>	Tipo	Peso	KUA-2	13,5 kg (29.8 lbs)	KUA-3	17 kg (37.5 lbs)	KUA-4	18 kg (39.7 lbs)
Tipo	Peso																	
EA-2	11 kg (24.3 lbs)																	
EA-3	13 kg (28.7 lbs)																	
EA-4	15 kg (33.1 lbs)																	
Tipo	Peso																	
KUA-2	13,5 kg (29.8 lbs)																	
KUA-3	17 kg (37.5 lbs)																	
KUA-4	18 kg (39.7 lbs)																	
<b>Ventilador</b>																		
Tipo de ventilador	radial																	

1. aprox. 1 bobina de hilo macizo o 7,5 kg (16.5 lbs) de electrodos al mes

2. aprox. 2 bobinas de hilo macizo o 15 kg (33 lbs) de electrodos al mes

Capacidad de aspiración	850 m <sup>3</sup> /h (500 CFM) máx.
Velocidad del ventilador	2800 rpm
Nivel de ruido	67 dB(A) según ISO 3746
<b>Datos eléctricos</b>	
Potencia absorbida	1,1 kW (1.5 HP)
Tensiones de alimentación disponibles	- 115V/1ph/50Hz - 230V/1ph/50Hz
Caja de interruptores	24V
Diseño del motor	IEC
Eficiencia energética	no procede
Cable eléctrico	no incluido
Enchufe de red	no incluido
<b>Clase de humos de soldadura</b>	
W3	según ISO 15012-1:2013

#### 1.4.1 Dimensiones

Véase Fig. I en la página 52.

#### 1.5 Alcance de trabajo

Véase Fig. II en la página 52.

#### 1.6 Condiciones del entorno e del proceso

Temperatura del proceso:	
- min.	5°C (41°F)
- nom.	20°C (68°F)
- máx.	70°C (158°F)
Humedad relativa del aire máxima	90%
Apto para uso en exteriores	no

#### 1.7 Transporte de la máquina

El fabricante no acepta responsabilidad alguna por daños de transporte posteriores a la entrega de el producto.

- Manipule siempre con cuidado la unidad de filtro y el brazo de aspiración adjuntos.
- Desmonte por completo el brazo de aspiración antes del transporte. Desmonte el brazo ejecutando el proceso de montaje en el orden inverso. A continuación, la unidad y el brazo pueden transportarse sobre un pallet en su embalaje original.
- Para evitar daños, evite que la unidad y el brazo se muevan sobre el pallet.

## 2 PRODUCT DESCRIPTION

### 2.1 Components

El producto consiste en los siguientes componentes y elementos principales:

Fig. 2.1

- A ventilador + motor
- B casete de filtro HEPA
- C casete de prefiltro
- D brazo de aspiración (2) (se muestra: brazo de tubo manguera)
- E caja de interruptores
- F válvula reguladora de cierre

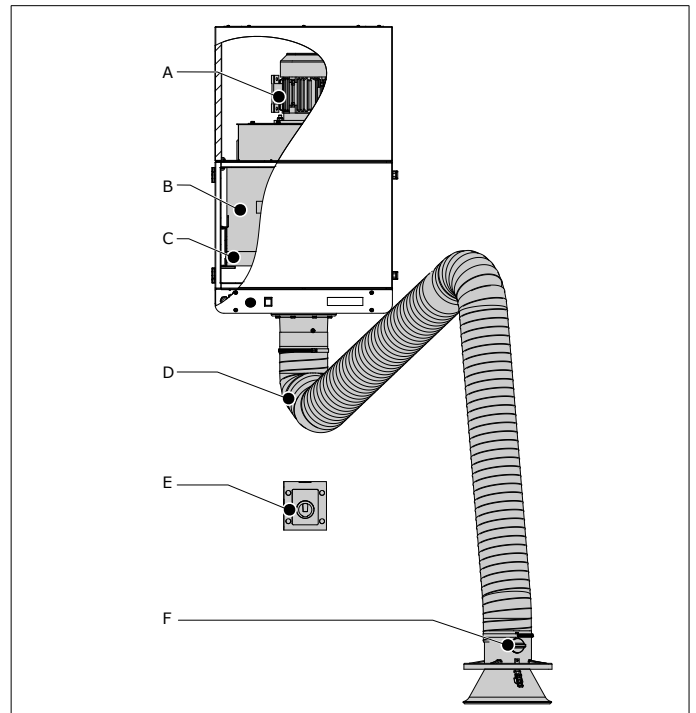


Fig. 2.1 Componentes y elementos principales

### 2.2 Funcionamiento

El MonoGo trabaja según el principio de recirculación. Los humos de soldadura se aspiran a través de la campana del brazo de aspiración conectado mediante el ventilador empotrado. El aire contaminado pasa por el casete de prefiltro y se limpia en el casete de filtro HEPA.

El aire limpio vuelve al taller a través de la rejilla de salida encima de la unidad.

#### 2.2.1 Indicación de sustitución del filtro

El MonoGo tiene un indicador de servicio que vigila el flujo de aire. Emite una señal acústica para sustituir el/los filtro(s).

## 3 NORMATIVAS DE SEGURIDAD

### Generalidades

El fabricante no se responsabiliza de ningún modo de los daños o lesiones que se puedan producir a causa del incumplimiento (exacto) de las normativas e instrucciones en materia de seguridad que se dan en el presente manual, así como en casos de negligencia durante la instalación, el manejo, el mantenimiento y la reparación del producto o de los posibles accesorios que se describen en el presente documento.

Puede resultar necesario, en función de las condiciones de trabajo específicas, la edición de normas de seguridad complementarias. En el caso de detectarse, durante el uso del producto, posibles fuentes de peligro, se ruega ponerse en contacto con el proveedor del producto.

**El usuario del producto tiene en todo momento la plena responsabilidad del cumplimiento de las normativas y directivas que en materia de seguridad puedan regir localmente. Se tienen que cumplir siempre las disposiciones y normas de seguridad en vigor.**

### Instrucciones de uso

- Toda persona que utilice el producto debe estar familiarizada con el contenido de las presentes instrucciones y debe cumplir al pie de la letra las indicaciones que en las mismas se dan. La Dirección de la empresa asume la obligación de

instruir al personal basándose en dichas instrucciones, así como de cumplir todas las normas e instrucciones.

- El usuario no debe alterar en ningún momento el orden de las actuaciones que se tienen que realizar.
- Estas instrucciones se deben guardar siempre en las proximidades del producto.

### Operarios

- El manejo del equipo que aquí se describe queda reservado al personal debidamente cualificado y autorizado. Los empleados temporales, así como los aprendices u otras personas en formación, sólo pueden manejar el equipo bajo la supervisión y responsabilidad de personal experto.
- Esté atento y preste mucha atención a su trabajo. No maneje el producto nunca en estado de embriaguez o tras ingerir medicamentos.
- La máquina no debe ser usada por niños ni personas con capacidades físicas, sensoriales o mentales reducidas, o con falta de experiencia y conocimientos, a menos que reciban supervisión o instrucciones.
- Los niños deben ser supervisados para evitar que jueguen con la máquina.

### Utilización debida<sup>3</sup>

El producto se ha diseñado exclusivamente para la aspiración y filtración de humos y sustancias liberados durante la mayoría de procesos de soldadura habituales. Todo uso distinto o que vaya más allá de esta finalidad será considerado como uso indebido. El fabricante declina toda responsabilidad de los daños o lesiones que se puedan producir a causa de tal uso indebido. El producto corresponde a las normas y directivas en vigor y debe utilizarse exclusivamente en estado técnicamente correcto y con arreglo a su finalidad tal y como se ha indicado arriba.

### Datos técnicos

Los datos que figuran en el presente manual no deben ser modificados.

### Modificaciones

No se permiten modificaciones o cambios del equipo o de componentes del mismo.



### Instalación

- La instalación del equipo que aquí se describe queda reservada a los técnicos debidamente cualificado y autorizado.
- La conexión eléctrica se deberá llevar a cabo conforme a las normas locales. Asegúrese de que se cumpla la normativa sobre compatibilidad electromagnética (CEM).
- Durante la instalación, use siempre equipo de protección personal (PPE) para evitar daños. Esto también es aplicable para personas que accedan a la zona de trabajo durante la instalación.
- Use equipo de ascenso y protecciones de seguridad suficientes cuando trabaje a una altura superior a 2 metros (puede que se apliquen restricciones locales).
- No instale el producto nunca delante de pasos de entrada o salida que tienen que permanecer accesibles para servicios de salvamento o similares.
- Tenga cuidado con las conducciones de gas y agua y los cables eléctricos.
- Asegúrese de que la zona de trabajo esté bien iluminada.
- Esté atento y preste mucha atención a su trabajo. No instale el producto nunca en estado de embriaguez o tras ingerir medicamentos.

3. La "utilización debida" según la definición de EN-ISO 12100-1 es la utilización para la cual el producto técnico es adecuado en virtud de las indicaciones del fabricante, inclusive las indicaciones de éste en el folleto de venta. En casos arbitrarios, se trata de la utilización que se puede derivar como usual en virtud de la construcción, la ejecución y la función del producto en cuestión. El uso debido incluye además el cumplimiento de las instrucciones en el manual de servicio o las instrucciones de uso.

- No se debe reciclar aire que contiene partículas como cromo, níquel, berilio, cadmio, plomo etc. Este aire debe ser siempre conducido fuera del lugar del trabajo.

### Uso





	<p><b>¡ADVERTENCIA!</b>  <b>¡Peligro de incendio! No utilice el producto para:</b></p> <ul style="list-style-type: none"> <li>- aplicación de pulido en combinación con amolado, soldadura y cualquier otra aplicación que genere chispas (las fibras de los discos de láminas pulidoras o lijadoras son muy inflamables y crean un grave peligro de que se produzcan incendios en los filtros cuando se expongan a chispas)</li> <li>- corte por arco aire</li> <li>- la aspiración y/o la filtración de partículas, sustancias y líquidos inflamables, incandescentes o en llamas</li> <li>- la aspiración y/o la filtración de humos y gases agresivos (como procedentes de ácidos, alcalino, pasta para soldar con litio)</li> <li>- para la aspiración y/o la filtración de partículas de polvo liberadas durante los trabajos de soldadura de superficies imprimadas</li> <li>- extracción de cigarrillos encendidos, puros, trapos con aceite y otras partículas y objetos incandescentes o ácidos</li> </ul>
	<p><b>¡ADVERTENCIA!</b>  <b>¡Peligro de explosión! No use el producto para aplicaciones con riesgo de explosión, p. ej.:</b></p> <ul style="list-style-type: none"> <li>- corte de aluminio por láser</li> <li>- polvo de aluminio o magnesio</li> <li>- entornos explosivos o sustancias/gases explosivos</li> </ul>
	<p><b>¡ADVERTENCIA!</b>  <b>No utilice el producto para:</b></p> <ul style="list-style-type: none"> <li>- gases calientes (permanentemente por encima de los 70°C/158°F)</li> <li>- soldadura con llama</li> <li>- neblina de aceite</li> <li>- neblina de aceite pesada en humos de soldadura</li> <li>- aspiración de cemento, serrín, polvo de madera, etc.</li> </ul>

- Inspeccione el producto cuidadosamente y compruebe la inexistencia de daños. Verifique además el funcionamiento correcto de los dispositivos de protección.
- Durante el uso, use siempre equipo de protección personal (PPE) para evitar daños. Esto también es aplicable para personas que accedan a la zona de trabajo durante la instalación.
- Compruebe la zona de trabajo y mantenga alejada del mismo a toda persona no autorizada.
- Proteja el producto frente a la humedad y el agua.
- Asegure en todo momento una buena ventilación, en especial en dependencias de tamaño reducido.
- Asegúrese de que dispone, en su lugar de trabajo, del número necesario de aparatos anti-incendio debidamente homologados (clases de incendios ABC).
- No deje herramientas ni otros objetos dentro o encima de la unidad.
- El circuito de retorno de la corriente de soldadura entre la pieza de trabajo y la soldadora tiene una baja resistencia. Por tanto, evite la conexión entre la pieza de trabajo y el MonoGo de modo que no exista la posibilidad de que la corriente de soldadura fluya de nuevo hacia la soldadora a través del conductor protector de toma de tierra del MonoGo.

### Servicio, mantenimiento y reparaciones

- Observe los intervalos de mantenimiento proporcionados en este manual. Los retrasos en el mantenimiento pueden provocar elevados costes de reparación y revisiones y pueden hacer que se invalide la garantía.
- Use siempre equipo de protección personal (PPE) para evitar daños. Esto también es aplicable para personas que accedan a la zona de trabajo.

- Asegure en todo momento una buena ventilación.
- Utilice en todo momento herramientas y materiales homologados por el fabricante, así como repuestos, técnicas de servicio, y lubricantes homologados. No utilice nunca herramientas desgastadas y preste atención a no olvidar herramientas en el producto tras realizar tareas de mantenimiento.
- Use equipo de ascenso y protecciones de seguridad suficientes cuando trabaje a una altura superior a 2 metros (puede que se apliquen restricciones locales).
- Limpie la zona posteriormente.

	<b>¡ATENCIÓN!</b> Servicio, mantenimiento y las reparaciones deben ser realizadas exclusivamente según las directivas TRGS 560 y TRGS 528 por personas autorizadas, cualificadas y preparadas (capacitadas) que usen las prácticas de trabajo adecuadas.
	<b>¡ATENCIÓN!</b> Antes de proceder a la ejecución de los trabajos de servicio, mantenimiento o reparación: - desconecte la máquina y desenchúfela de la red
	<b>Equipo de protección personal (EPP)</b> Lleve protección respiratoria y guantes protectores durante el servicio, mantenimiento y reparaciones.
	<b>¡ADVERTENCIA!</b> El aspirador industrial utilizado durante el servicio y mantenimiento debería ajustarse a la categoría de polvo H según EN 60335-2-69 o a la clase HEPA (eficiencia $\geq 99.97\%$ a $0,3 \mu\text{m}$ ).

## 4 INSTALACIÓN

### 4.1 Herramientas y avíos

Se necesitan las siguientes herramientas y requisitos para instalar la unidad:

- herramientas básicas
- carretilla elevadora

#### 4.1.1 Hay que obtener localmente

- herramientas para montaje en la pared<sup>4</sup>
- cable de red 3G1.5 (3x1,5 mm<sup>2</sup>)
- prensaestopa M20 (2)
- opción: enchufe de red<sup>5</sup>

### 4.2 Desembalaje

Compruebe la integridad del producto suministrado. El embalaje contiene los siguientes elementos:

#### Unidad de filtración

- unidad de filtración fija, incl. soporte de pared
- perno M10x30 (2) + tuerca de seguridad M10(2) + arandela (4)
- arandela M6 (8)
- perno M6x25 (8)

#### Brazo de aspiración

##### En caso de MonoGo: brazo de tubo manguera

- brazo de aspiración (premontado; excl. tubo manguera)
- tubo manguera
- abrazadera (2)
- brida giratoria
- anillo de rotación de brazo, incl. cuello de goma
- campana

- cuello de campana con malla de seguridad
- arandela M20
- tornillo hexagonal M6x25 (4)

##### En caso de MonoGo<sup>plus</sup>: brazo de tubo metálico

- brazo de aspiración (premontado)
- brida giratoria
- anillo de rotación de brazo, incl. cuello de goma
- campana
- cuello de campana con malla de seguridad
- arandela M20
- tornillo hexagonal M6x25 (4)

#### Equipo de control

- caja de interruptores

### 4.3 Unidad de filtración fija



#### ¡ATENCIÓN!

Antes de instalar la unidad, asegúrese de que la pared es suficientemente fuerte. Consulte el apartado 1.4 para ver el peso de la unidad.

- Consulte la Fig. III en la página 52 para ver la altura de instalación recomendada y el diseño de agujeros del soporte de pared.

Para instalar el soporte de pared, proceda de la siguiente manera.

Fig. 4.1

- El soporte de pared se ha acoplado temporalmente a la unidad mediante una brida sujetacables. Córtele.
- Monte el soporte (B) en la pared. Utilice los 4 puntos de montaje.
- Eleve la unidad e inserte los ganchos (A) en las ranuras del soporte de pared.
- Acople la unidad al soporte de pared con los pernos, las tuercas de seguridad y las arandelas (C).

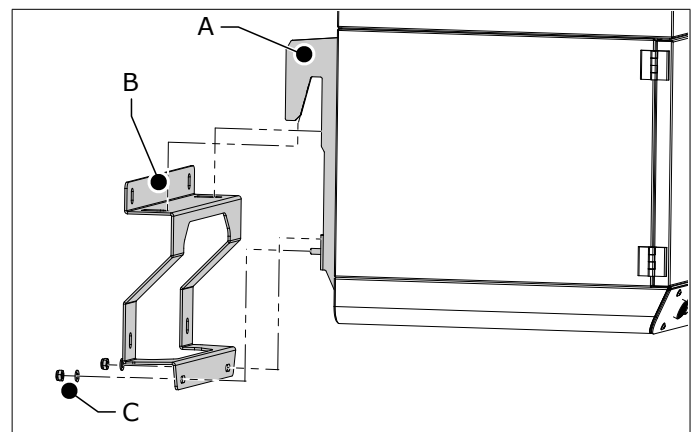


Fig. 4.1 Montaje del soporte de pared

### 4.4 Brazo a unidad fija

Para instalar el brazo de aspiración, proceda de la siguiente manera.



#### CONSEJO

Compruebe el equilibrio del brazo antes de fijar las mangueras. Consulte el apartado 6.3.

Fig. 4.2

- Retire la tuerca de seguridad M20 (A) de la varilla articulada (E).
- En caso de un brazo de tubo manguera: ponga el tubo manguera sobre las varillas internas del brazo.

4. El tipo de herramientas depende del tipo de pared

5. Alternativa: conexión directa a la red de alimentación + interruptor principal adicional

- Mueva la abrazadera de la manguera (F) y el anillo de rotación de brazo (incl. cuello de goma) (D) sobre la varilla articulada (E).
- Ponga la arandela M20 (C) sobre el anillo de rotación de brazo (D).
- Ponga la varilla articulada (E) en la brida giratoria (B).
- Ponga la manguera (G) sobre el anillo de rotación de brazo (D).
- Utilice el cuello de goma para que la conexión quede hermética.
- Acople la manguera (G) al anillo de rotación (D) con la abrazadera de manguera (F).
- Ponga la tuerca de seguridad M20 (A) sobre la varilla articulada (E) y enrósquela.
- Monte el conjunto en la unidad de filtración con los 8 pernos M6x25 + arandelas M6.

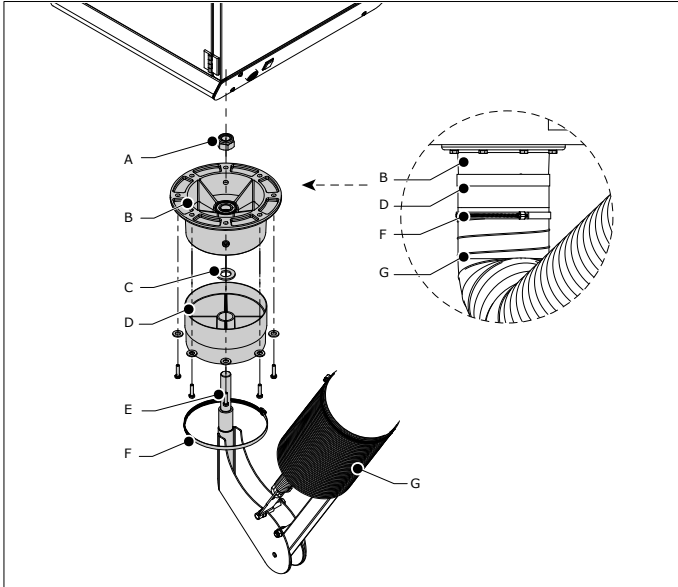


Fig. 4.2 Brazo a unidad fija

#### 4.5 Montaje de la campana

Para instalar la campana, proceda de la siguiente manera.

*Brazo de tubo manguera (EconomyArm): véase Fig. 4.3*

*Brazo de tubo metálico (KUA): véase Fig. 4.4*

- Monte la campana de aspiración (G) con el perno (F), 2 arandelas (E), 2 arandelas elásticas (D) y una tuerca de seguridad (C).
- Monte la campana de aspiración (G) con el perno (F), 2 arandelas (E), 2 arandelas elásticas (D) y una tuerca de seguridad (C).
- Monte el cuello de la campana (H) en la campana (G). Fíjelo con la pinza.
- Monte el tubo manguera (A) a la campana.
- Fije el tubo manguera con una abrazadera de manguera (B).

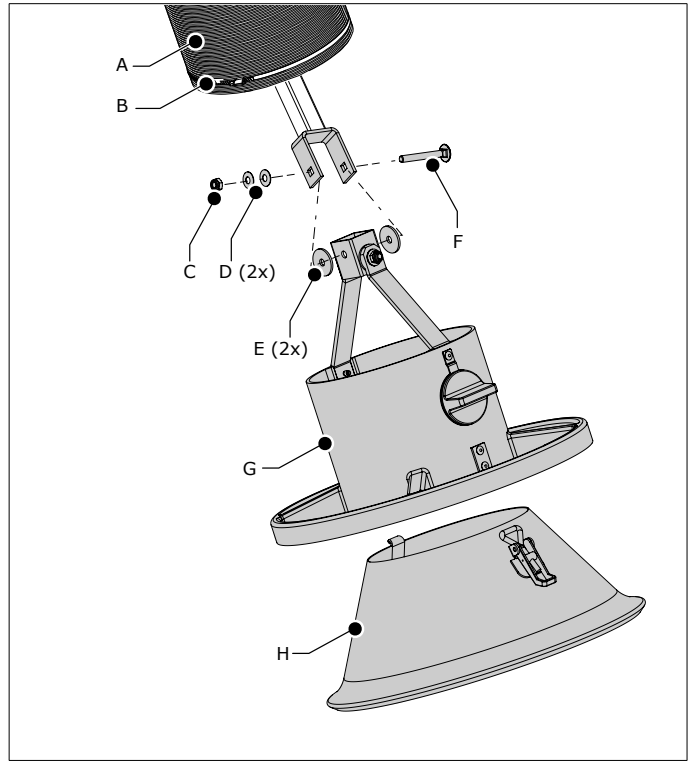


Fig. 4.3 Montaje de la campana (brazo de tubo manguera)

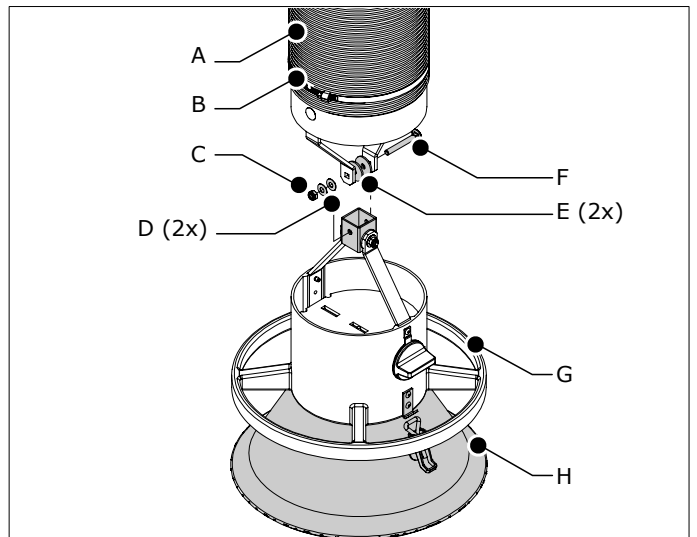


Fig. 4.4 Montaje de la campana (brazo de tubo metálico)

#### 4.6 Caja de interruptores

- Monte la caja de interruptores en una posición apropiada.
- Conecte la caja de interruptores a la unidad de filtro y a la red conforme al esquema eléctrico entregado por separado.

### 5 USO



#### ¡ADVERTENCIA!

¡Peligro de incendio! No utilice el producto para aplicación de pulido en combinación con amolado, soldadura y cualquier otra aplicación que genere chispas.

**Consulte el apartado 3 / Normativas de seguridad / Uso**



## 5.1 Panel de mandos

El MonoGo tiene una caja de interruptores separada para encender y apagar la unidad. Controles e indicadores:

Fig. 5.1

- A Zumbador (indicador de servicio)
- B Luz indicadora
- C Caja de interruptores con interruptor rotativo 0-1

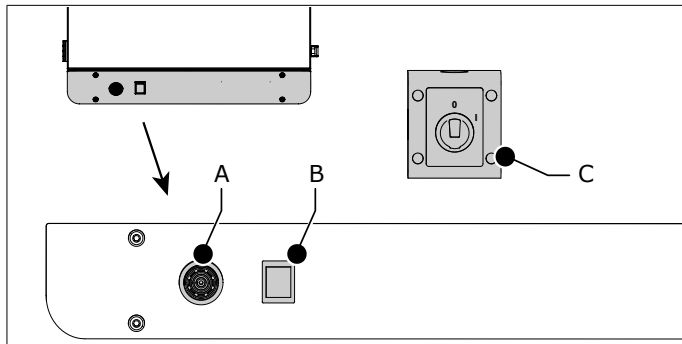



Fig. 5.1 Controles e indicadores

## 5.2 Uso


- Coloque la campana del brazo de aspiración conectado a 400-800 mm (16-32 pulg.) de la fuente de contaminación. Consulte la Fig. IV de la página 53 para ver la posición correcta.
- Asegúrese de que la válvula reguladora de cierre esté abierta (véase Fig. 2.1F).
- Encienda la unidad (véase Fig. 5.1C).
- Empiece a soldar.
- Cuando cambie la posición de soldadura, mueva la campana a la posición correcta en relación a la soldadura.



**¡ADVERTENCIA!**  
Para mantener los humos de soldadura lejos de la zona de respiración del soldador, asegúrese de que se aspiren todos los humos a través de la campana.

- Apague la unidad unos 20 segundos después de que haya terminado de soldar.

Cuando el flujo de aire sea demasiado bajo durante el uso, el zumbador (véase Fig. 5.1A) emitirá una alarma acústica. Consulte el capítulo 7 para encontrar la posible causa y la solución.




**¡ATENCIÓN!**  
Si no sustituye el casete de prefiltro y/o del filtro HEPA a tiempo, el flujo de aire (capacidad de aspiración) se irá reduciendo más.

## 6 MANTENIMIENTO

### 6.1 Mantenimiento regular

La máquina ha sido concebida de tal forma que funcione correctamente a largo plazo con un mantenimiento mínimo. No obstante, y para que esto ocurra de este modo, es necesario llevar a cabo, con regularidad, una serie de tareas simples de mantenimiento y limpieza que se describen en este capítulo. Siempre y cuando se proceda con el cuidado debido y se realicen los trabajos de mantenimiento regularmente, en la mayoría de los casos resulta posible detectar y corregir los posibles fallos antes de que éstos conduzcan a una paralización del equipo.




**¡ADVERTENCIA!**  
La falta de mantenimiento de los equipos puede provocar riesgos de incendios.

Los intervalos de mantenimiento que se indican a continuación dependen de las condiciones de trabajo y servicio. Por esta razón y de forma adicional a las tareas de mantenimiento regulares que se describen en este manual, se recomienda someter al equipo anualmente a una revisión completa. A estos efectos, diríjense a su proveedor.

Componente	Tarea	Frecuencia: cada X meses	
		X=6	X=12
<b>Unidad de filtro</b>			
Caja	Limpe el exterior por medio de un detergente no agresivo.		X
	Limpe el interior por medio de un aspirador industrial y elimine el polvo del compartimento del filtro.		X
	Compruebe el material sellante y sustitúyalo siempre y cuando sea necesario.		X
Ventilador de aspiración	Compruebe respecto a suciedades incrustadas. Limpialo si es necesario.		X
Cable de red	Compruebe respecto a daños. Repare el cable o bien sustitúyalo.	X *)	
<b>Brazo de aspiración</b>			
Tubos	Limpe el exterior por medio de un detergente no agresivo.	X	
	Limpe el interior a fondo	X	
Mangueras	Compruebe si hay grietas o daños. Sustitúyalo si es necesario	X	
Campana	Compruebe el funcionamiento de la campana. Si es necesario, ajuste la fricción. Consulte el apartado 6.3	X	
Movimiento del brazo	Compruebe el movimiento horizontal, vertical y diagonal del brazo. Si es necesario, ajuste la fricción. Consulte el apartado 6.3	X	
*) Antes de cada uso			

### 6.2 Sustitución de los filtros


El zumbador emitirá una señal acústica cuando el flujo de aire sea demasiado bajo.




Asegúrese de que:  
- la válvula reguladora de cierre esté abierta  
- el brazo de aspiración no esté totalmente plegado


Cuando el zumbador continúa sonando, deberá sustituir el/los casete(s) de filtro.

Como el prefiltro es más pequeño y se satura más deprisa que el filtro HEPA, podrá sustituir varias veces el casete de prefiltro antes de que tenga que sustituir el casete de filtro HEPA.






**Equipo de protección personal (EPP)**  
Lleve protección respiratoria y guantes protectores cuando sustituya los casetes del filtro.



**¡ADVERTENCIA!**  
**No** sustituya los casetes del filtro mientras el ventilador está funcionando.



**¡ADVERTENCIA!**  
**No** agite o limpie (con una aspiradora) los casetes de filtro usados para evitar que se liberen partículas.



### 6.2.1 Casete de prefiltro

Para cambiar el casete de prefiltro, proceda de la siguiente manera.

Fig. 6.1

- Deje sin corriente la unidad.
- Abra la puerta (A).
- Retire el casete de prefiltro (B).
- Elimine el casete de filtro usado conforme a la normativa nacional o local.
- Ponga un nuevo casete de prefiltro en la unidad. Asegúrese de que la flecha del bastidor esté apuntando hacia arriba<sup>6</sup>.
- Cierre y bloquee la puerta.

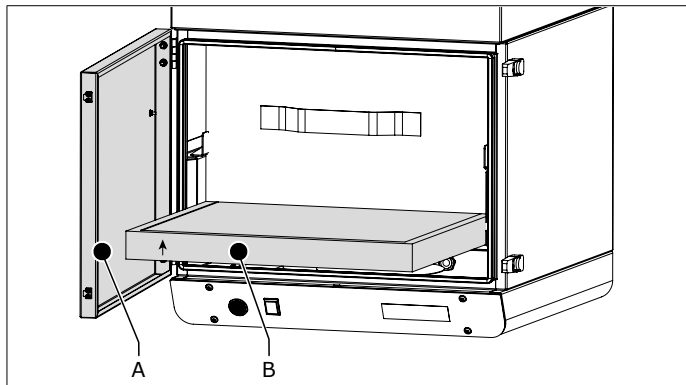


Fig. 6.1 Sustitución del casete de prefiltro

Cuando el zumbador siga sonando después de que haya sustituido el casete de filtro, será hora de sustituir el casete de filtro HEPA.

### 6.2.2 Casete de filtro HEPA

Para cambiar el casete de filtro HEPA, proceda de la siguiente manera.

Fig. 6.2

- Deje sin corriente la unidad.
- Abra la puerta delantera (A).
- Retire el casete de prefiltro.
- Desenrosque las tuercas de mariposa (C) y ponga las pinzas (B) en la posición vertical. Asegúrese de que el tirador de la tuerca de mariposa esté en posición vertical.
- Levante suavemente y retire el filtro principal (D).
- Elimine el casete de filtro HEPA usado conforme a la normativa nacional o local.

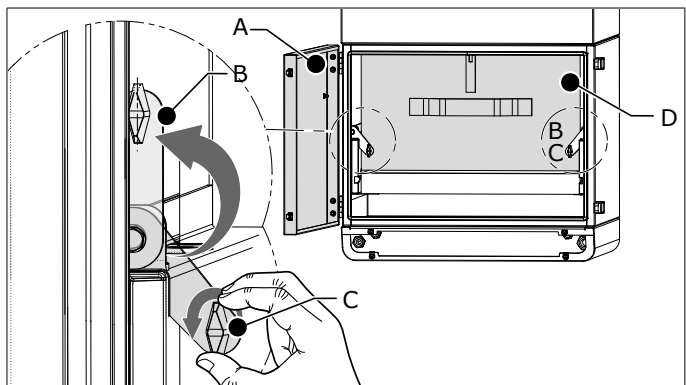


Fig. 6.2 Quitar el casete de filtro HEPA

Fig. 6.3

- Ponga un nuevo casete de filtro HEPA en la unidad. Las clavijas laterales encajan exactamente en las hendiduras (A) en la caja.

6. La flecha indica la dirección del flujo de aire.

- Fije el casete de filtro HEPA con las pinzas (B). Asegúrese de empujar las pinzas en las ranuras (ángulo de 45°).
- Apriete las tuercas de mariposa.
- Vuelva a poner el casete de prefiltro en el cuerpo. Asegúrese de que la flecha del bastidor esté apuntando hacia arriba<sup>7</sup>.
- Cierre y bloquee la puerta.

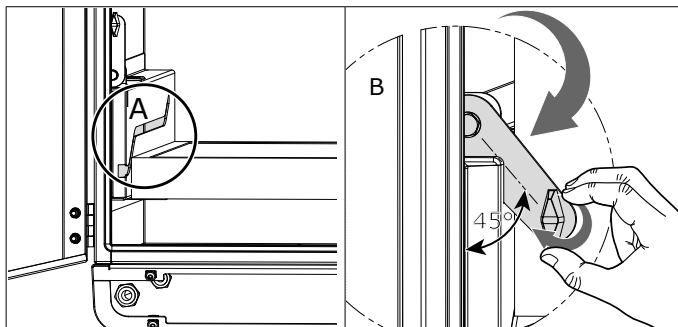


Fig. 6.3 Hendiduras + pinzas (izquierda + derecha)

### 6.3 Ajuste del brazo

Si el brazo de aspiración, o una parte del mismo, no se mantiene en la posición deseada, deberá ajustar la fricción.

#### 6.3.1 Brazo de tubo manguera (EconomyArm)

- Determine qué bisagra necesita más o menos fricción.
- Afloje el tubo manguera para acceder a las bisagras.
- Tire del brazo a una posición horizontal.
- Ajuste la fricción; véase Fig. VI en la página 54 para los puntos de ajuste.

#### 6.3.2 Brazo de tubo metálico (KUA)

- Determine qué bisagra necesita más o menos fricción.
- Afloje la manguera en esa posición para acceder a la bisagra.
- Tire del brazo a una posición horizontal.
- Ajuste la fricción; véase Fig. VI en la página 54 para los puntos de ajuste.

## 7 SUBSANACIÓN DE FALLOS

Si la unidad no funcionase o no lo hiciera de forma correcta, es posible que pueda subsanar el problema Vd. mismo con la ayuda de la tabla de chequeo que se da a continuación. En caso contrario, se ruega dirigirse a su proveedor.

**¡ADVERTENCIA!**  
Observe las normativas de seguridad que están escritas en el capítulo 3 cuando lleve a cabo las siguientes actividades.

7. La flecha indica la dirección del flujo de aire. Un casete de prefiltro colocado incorrectamente afecta negativamente a la vida útil del filtro.

Señal	Problema	Posible causa	Solución
El ventilador no se pone en marcha	La unidad no funciona	No hay tensión de la red eléctrica	Conecte la tensión de red
		Se ha activado la protección de sobrecarga térmica	- Examine el ventilador y el motor para encontrar la causa y solucionar el problema - Pulse el botón rojo detrás del panel frontal para reiniciar. Véase Fig. V en la página 53
		El cable eléctrico está defectuoso	Repare el cable eléctrico o sustitúyalo
		Contactos sueltos	Repare los contactos
El LED verde está encendido, pero el ventilador no funciona	La unidad no funciona	El relé está defectuoso	Sustituya el relé
		El relé térmico está defectuoso	Sustituya el relé térmico
		El motor está defectuoso	Repare el motor o bien sustitúyalo
El rendimiento de la aspiración es insuficiente	La unidad no funciona correctamente	La válvula reguladora de cierre de la campana del brazo de aspiración se ha cerrado (parcialmente)	Abra (completamente) la válvula
		Filtros obstruidos y conexión suelta del sensor de presión	Repare la conexión de los tubos de presión
		Filtros obstruidos y sensor de presión defectuoso	Sustituya el sensor de presión y el casete del prefiltro Sustituya también el casete del filtro HEPA
El zumbador emitirá una señal acústica	El rendimiento de la aspiración es insuficiente	Casete de prefiltro obstruido	Sustituya el casete de prefiltro
		Casete de filtro HEPA obstruido	Sustituya el casete de filtro HEPA
El brazo de aspiración no se mantiene en la posición deseada	Escape de humos; no hay una aspiración correcta	El ajuste de fricción no es correcto	Ajuste la fricción; véase Fig. VI en la página 54 para los puntos de ajuste
No logra que el brazo esté en la posición deseada			

## 8 PIEZAS DE RECAMBIO

### 8.1 Unidad de filtración

Las piezas de recambio siguientes están disponibles para la unidad de filtración;

- véase la vista de despiece Fig. IX en la página 59

### 8.2 Brazo de aspiración

Las piezas de recambio siguientes están disponibles para los brazos de aspiración;

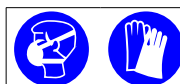
- brazo de tubo manguera (EconomyArm): véase la vista de despiece Fig. VII en la página 55
- brazo de tubo metálico (KUA): véase la vista de despiece Fig. VIII en la página 57

## 9 ESQUEMA ELÉCTRICO

Consulte el esquema eléctrico ofrecido por separado.

## 10 DESECHAR

El desmantelamiento y la eliminación de la unidad lo deberán realizar personas cualificadas.



**Equipo de protección personal (EPP)**  
Lleve protección respiratoria y guantes protectores cuando desmantele y vacíe la unidad.

### 10.1 Desmantelamiento

Para desmantelar la unidad de forma segura, observe las siguientes instrucciones.

Antes de desmantelar la unidad:

- desconéctela de la red
- limpie la parte exterior

Durante el desmantelamiento de la unidad:

- asegúrese de que el área esté suficientemente ventilada, p. ej. mediante una unidad de ventilación móvil

Después de desmantelar la unidad:

- limpie el área que se desmantela

### 10.2 Desechar

Elimine los contaminantes y el polvo, junto a los filtros usados, de una forma profesional conforme a la normativa nacional, regional o local.

## DECLARACIÓN CE

### Declaración CE de Conformidad

Los abajo firmantes, Plymovent Manufacturing B.V., Koraalstraat 9, 1812 RK Alkmaar, Países Bajos, declaran, bajo su exclusiva responsabilidad, que los productos:

- MonoGo
- MonoGo<sup>plus</sup>

son conforme a las disposiciones de las Directivas:

- Directiva de máquinas 2006/42 EC
- Compatibilidad electromagnética 2014/30 EU
- Directiva de baja tensión 2014/35 EU
- Directiva ErP 2009/125 EC

Signatura:

Nombre: M.S.J. Ligthart  
Función: Product Manager  
Fecha de emisión: 1-5-2018

## WSTĘP

### Korzystanie z instrukcji obsługi

Niniejsza instrukcja jest przeznaczona do stosowania jako wytyczne dla profesjonalnych, dobrze wyszkolonych i uprawnionych użytkowników, aby móc bezpiecznie instalować, obsługiwać, konserwować i naprawiać produkt wymieniony na okładce niniejszego dokumentu.

### Piktogramy i symbole

Poniższe piktogramy i symbole są używane w tej instrukcji:

	<b>WSKAZÓWKA</b> Sugestie i zalecenia, aby ułatwić wykonywanie zadań i czynności.
	<b>UWAGA</b> Uwaga z dodatkowymi informacjami dla użytkownika. Wskazówka zwraca uwagę użytkownika na ewentualne problemy.
	<b>OSTRZEŻENIE!</b> Procedury, o ile nie są przeprowadzane z należytą ostrożnością, mogą spowodować uszkodzenie urządzenia, warsztatu lub otoczenia.
	<b>OSTRZEŻENIE!</b> Procedury, które jeśli nie są przeprowadzane z należytą ostrożnością, mogą spowodować uszkodzenie urządzenia lub spowodować poważne obrażenia ciała.
	<b>OSTRZEŻENIE!</b> Oznacza ryzyko porażenia prądem.
	<b>UWAGA!</b> Zagrożenie pożarowe! Ważne ostrzeżenie aby uniknąć pożaru.
	<b>UWAGA!</b> Niebezpieczeństwo wybuchu! Ważne ostrzeżenie, aby zapobiec eksplozji.
	<b>Środki ochrony indywidualnej (ŚOI)</b> Instrukcja używania ochrony dróg oddechowych podczas wykonywania prac serwisowych, konserwacji i naprawy, a także podczas testów funkcjonowania. Zaleca się stosować półmaski na twarz zgodnie z EN 149:2001 + A1:2009, klasa FFP3 (Dyrektywa 89/686/EEC).
	<b>Środki ochrony indywidualnej (ŚOI)</b> Instrukcja używać rękawic ochronnych podczas wykonywania prac serwisowych, konserwacji i naprawy.

### Wskazówki tekstowe

Wskazówki oznaczone "-" (myślnik) dotyczą wylizczania. Wskazówki oznaczone "•" (punkt) opisują czynności do wykonania.

### Serwis i wsparcie techniczne

Aby uzyskać informacje dotyczące konkretnych regulacji, konserwacji lub prac naprawczych, które nie zostały omówione w tej instrukcji, należy skontaktować się z dostawcą urządzenia. On zawsze będzie gotów pomóc. Upewnij się, że masz pod ręką następujące specyfikacje:

- nazwa urządzenia
- numer seryjny

Informacje te znajdziesz na tabliczce znamionowej urządzenia.

### Oznaczenie produktu

O ile wyraźnie nie stwierdzono inaczej, zawartość niniejszej instrukcji dotyczy MonoGo jak również MonoGo<sup>plus</sup>.

## 1 WPROWADZENIE

### 1.1 Identyfikacja produktu

Tabliczka znamionowa zawiera, między innymi, następujące dane:

- nazwa urządzenia
- numer seryjny
- napięcie zasilania i częstotliwość
- pobór energii

### 1.2 Ogólny opis

MonoGo to stacjonarne urządzenie filtrujące ze zintegrowanym wentylatorem i ramieniem odciągowym. Urządzenie posiada wkład filtra wstępnego i kasetę filtra HEPA (oba jednorazowe).

#### 1.2.1 Intensywność użytkowania

Zalecamy używanie urządzenia MonoGo do sporadycznego spawania<sup>1</sup> i spawania metodą TIG. Urządzenie MonoGo<sup>plus</sup> nadaje się do sporadycznych i regularnych prac spawalniczych o niedużym natężeniu<sup>2</sup>.

#### 1.2.2 Opcje i akcesoria

Następujące produkty można otrzymać jako opcja i/lub akcesoria:

- Kołnierz wylotowy do podłączenia kanału Ø 250 mm

### 1.3 Specyfikacja techniczna

	MonoGo	MonoGo <sup>plus</sup>		
<b>Wymiary i właściwości</b>				
Materiał (obudowa)	blacha cynkowana			
Waga (wyłączając ramię)	78 kg	79,5 kg		
<b>Filtry</b>				
Kaseta filtra wstępnego:				
- materiał	poliester	poliester		
- powierzchnia filtra	1 m <sup>2</sup>	1 m <sup>2</sup>		
- wydajność	ISO Coarse 70% zgodnie z ISO 16890	ISO Coarse 70% zgodnie z ISO 16890		
Kaseta filtra HEPA:				
- materiał	włókno szklane	włókno szklane		
- powierzchnia filtra	15 m <sup>2</sup>	26 m <sup>2</sup>		
- wydajność	E12 zgodnie z EN 1822-1:2009	E12 zgodnie z EN 1822-1:2009		
Zmywalność	nie	nie		
<b>Ramię odciągowe</b>				
Typ	ramię z przewodem elastycznym (EconomyArm)	ramię z metalowe (KUA)		
Długość	2, 3 lub 4 m	2, 3 lub 4 m		
Średnica	Ø 160 mm	Ø 160 mm		
Waga	<b>Typ</b>	<b>Waga</b>	<b>Typ</b>	<b>Waga</b>
	EA-2	11 kg	KUA-2	13,5 kg
	EA-3	13 kg	KUA-3	17 kg
	EA-4	15 kg	KUA-4	18 kg
<b>Wentylator</b>				
Typ	promieniowy			
Wydajność odciągu	maks. 850 m <sup>3</sup> /h			
Prędkość wentylatora	2800 obr./min			
Poziom hałasu	67 dB(A) zgodnie z EN ISO 3746			

- ok. 1 szpuli drutu pełnego lub 7,5 kg elektrod na miesiąc
- ok. 2 szpuli drutu pełnego lub 15 kg elektrod na miesiąc

Dane elektryczne	
Pobór energii	1,1 kW
Dostępne napięcia przyłączeniowe	- 115V/1ph/50Hz - 230V/1ph/50Hz
Wyłącznik	24V
Konstrukcja silnika	IEC
Efektywności energetycznej	b.d.
Przewód zasilający	nie zawiera
Wtyczka	nie zawiera
Klasa dymów spawalniczych	
W3	zgodnie z ISO 15012-1:2013

### 1.3.1 Wymiary

Zobacz Rys. Fig. I na stronie 52.

### 1.4 Zakres pracy

Zobacz Rys. Fig. II na stronie 52.

### 1.5 Warunki pracy urządzenia

Temperatura pracy:	
- min.	5°C
- normal.	20°C
- maks.	70°C
Maksymalna wilgotność względna	90%
Odpowiednie do stosowania na zewnątrz	nie

### 1.6 Transport urządzenia

Nie można przenosić odpowiedzialności na producenta za wszelkie szkody transportowe powstałe po dostarczeniu produktu.

- Poruszaj urządzeniem i współpracującym ramieniem z odpowiednią ostrożnością.
- Kompletnie zdemontować ramię odciągowe przed transportem. Demontaż ramienia należy wykonać wg procedury montażu w odwrotnej kolejności. Następnie urządzenie i ramię mogą być przenoszone na palecie w oryginalnym opakowaniu.
- Aby zapobiec uszkodzeniu, należy upewnić się, że urządzenie i ramię nie może przesunąć się na palecie.

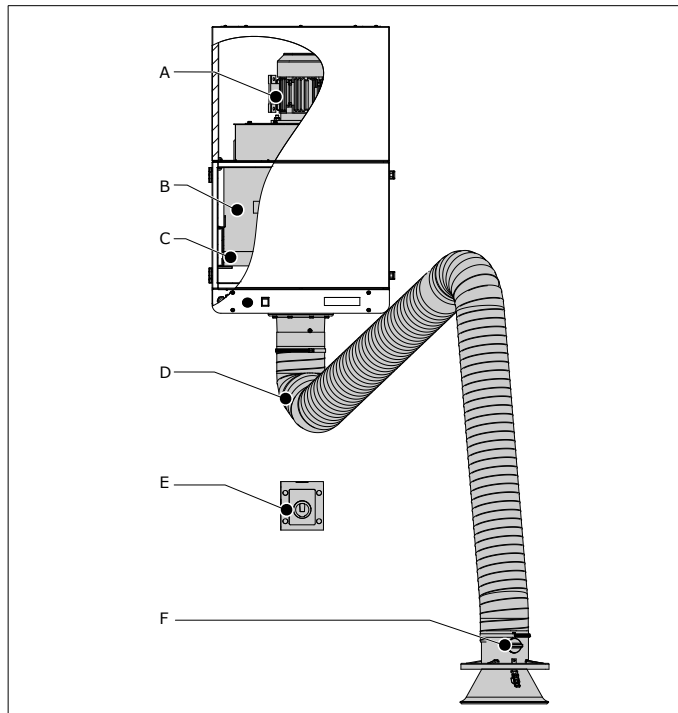
## 2 OPIS PRODUKTU

### 2.1 Komponenty

Jednostka składa się z następujących głównych podzespołów i elementów:

Rys. 2.1

- A wentylator + silnik
- B kasetka filtra HEPA
- C kasetka filtra wstępnego
- D ramię odciągowe (2) (pokazano: ramię z przewodem elastycznym)
- E wyłącznik
- F zamknięcie przepustnicy



Rys. 2.1 Najważniejsze części i elementy

### 2.2 Użytkowanie

MonoGo pracuje zgodnie z zasadą recyrkulacji. Dymy spawalnicze są pobierane przez ssawę w ramieniu odciągowym dzięki wbudowanemu wentylatorowi. Zanieczyszczone powietrze przechodzi przez kasetkę filtra wstępnego i jest oczyszczane przez kasetkę filtra HEPA. Oczyszczane powietrze jest zwracane do warsztatu poprzez kratkę wylotową na górze urządzenia.

#### 2.2.1 Wskazanie wymiany filtra

Urządzenie MonoGo ma wskaźnik serwisowy, który monitoruje przepływ powietrza. Daje akustyczny sygnał do wymiany filtra (filtrów).

## 3 BEZPIECZEŃSTWO

### Ogólne

Producent nie ponosi żadnej odpowiedzialności za uszkodzenia produktu lub zranienia spowodowane przez ignorowanie zasad bezpieczeństwa zawartych w niniejszej instrukcji, lub zaniedbania podczas montażu, użytkowania, konserwacji i naprawy produktu wymienionego na okładce niniejszego dokumentu oraz wszelkich odpowiadających akcesoriów. Specyficzne warunki pracy lub używane akcesoria mogą wymagać dodatkowych instrukcji bezpieczeństwa. Natychmiast skontaktować się z dostawcą, jeśli wykryjesz potencjalne zagrożenie podczas używania produktu.

**Użytkownik produktu jest zawsze w pełni odpowiedzialny za przestrzeganie instrukcji i lokalnych przepisów bezpieczeństwa. Należy przestrzegać wszystkich instrukcji i obowiązujących przepisów bezpieczeństwa.**

### Instrukcja użytkowania

- Wszyscy pracujący z urządzeniem, muszą zapoznać się z treścią niniejszej instrukcji i ściśle przestrzegać zawartych w niej zaleceń. Pracodawca powinien zlecić personelowi postępowanie zgodne z instrukcją i przestrzeganie wszystkich zaleceń i wskazówek w niej podanych.
- Nie należy zmieniać kolejność poszczególnych czynności do wykonania.

- Zawsze należy przechowywać instrukcję wraz z urządzeniem.

### Użytkownicy

- Stosowanie tego produktu jest zarezerwowana wyłącznie dla przeszkolonych i wykwalifikowanych użytkowników. Pracownicy czasowi i personel na szkoleniu mogą używać urządzenia tylko pod nadzorem i na odpowiedzialność wykwalifikowanych przełożonych.
- Bądź czujny i zachowaj uwagę przy pracy. Nie używaj produktu, gdy jesteś pod wpływem narkotyków, alkoholu lub leków.
- Ten produkt nie jest przeznaczony do użytku przez dzieci lub osoby o ograniczonej zdolności fizycznej, czuciowej lub psychicznej, lub bez doświadczenia i wiedzy, chyba że będą one nadzorowane lub zostaną poinstruowane.
- Dzieci powinny pozostawać pod nadzorem, aby nie bawiły się produktem.

### Zastosowanie zgodne z przeznaczeniem<sup>3</sup>

Produkt został zaprojektowany wyłącznie do odciągu i filtracji dymów i pyłów, które są uwalniane podczas najczęstszych procesów spawalniczych. Zastosowaniem produktu do innych celów, uznaje się za sprzeczne z jego przeznaczeniem. Producent nie ponosi żadnej odpowiedzialności za jakiegokolwiek uszkodzenia lub szkody wynikające z takiego użytkowania. Produkt został zbudowany zgodnie z normami i uznanymi zasadami bezpieczeństwa. Należy używać tego urządzenia tylko w nienagannym stanie technicznym, zgodnie z jego przeznaczeniem i instrukcją obsługi.

### Specyfikacja techniczna

Nie należy zmieniać specyfikacji podanych w niniejszej instrukcji.



### Modyfikacja

Modyfikacja (części) produktu jest niedozwolona.

### Instalacja

- Montaż tego produktu jest zarezerwowana wyłącznie dla autoryzowanego, przeszkolonego i wykwalifikowanego personelu.
- Podłączenie elektryczne musi być wykonane zgodnie z obowiązującymi normami i przepisami. Upewnij się również co do zgodności z regulacjami EMC.
- Podczas instalacji, należy zawsze używać środki ochrony indywidualnej (SOI), aby uniknąć obrażeń. Dotyczy to również osób, które wchodzi na obszar roboczy podczas instalacji.
- Podczas pracy na wysokości większej niż 2 metry używaj zabezpieczeń chroniących przed upadkiem (zwróć uwagę na lokalne przepisy).
- Nie instaluj produktu przed wejściami i wyjściami, które muszą być używane w przypadku akcji ratunkowej.
- Uważaj na wszelkie rury gazowe i wodne oraz kable elektryczne.
- Upewnij się, że obszar roboczy jest dobrze oświetlony.
- Bądź czujny i zachowaj uwagę przy pracy. Nie należy instalować produktu, gdy jesteś pod wpływem narkotyków, alkoholu lub leków.
- Powietrze zawierające elementy, takie jak chrom, nikiel, beryl, kadm, ołów itp., nigdy nie powinno być poddawane recykulacji. Powietrze to musi zawsze być wyrzucane poza obszar roboczy.

### Użytkowanie

	<b>OSTRZEŻENIE!</b> Zagrożenie pożarowe! <b>Nie</b> należy używać produktu do:
	<ul style="list-style-type: none"> <li>- polerowania w połączeniu ze szlifowaniem oraz spawaniem lub innymi aplikacjami, które generują iskry. (Włókna z polerowania lub dysków ściernych są wysoce łatwopalne i stwarzają wysokie ryzyko pożarów filtra od iskry.)</li> <li>- żłobienia łukowego</li> <li>- odciągania i/lub filtrowania łatwopalnych, żarzących się lub palących cieczy oraz elementów stałych</li> <li>- odciągania i / lub filtrowania agresywnych oparów (na przykład kwasu solnego) lub ostrych elementów</li> <li>- odciągania i / lub filtrowania cząstek pyłu, które są uwalniane podczas spawania powierzchni pokrytych preparatem gruntującym</li> <li>- odciągania papierosów, cygar, oleju i innych płonących cząstek, obiektów i kwasów</li> </ul>
	<b>OSTRZEŻENIE!</b> Niebezpieczeństwo wybuchu! <b>Nie</b> używać produktu do zastosowań zagrożonych wybuchem, np.:
	<ul style="list-style-type: none"> <li>- cięcia aluminium laserem</li> <li>- szlifowania aluminium i magnezu</li> </ul>
	<b>OSTRZEŻENIE!</b> <b>Nie</b> należy używać produktu do:
	<ul style="list-style-type: none"> <li>- odciągania gorących gazów (powyżej 70°C bez przerwy)</li> <li>- natryskiwania ogniowego</li> </ul>

Przed rozpoczęciem pracy, każdorazowo:

- Sprawdzić urządzenie czy nie jest uszkodzone. Zweryfikuj funkcjonowanie systemów bezpieczeństwa.
- Podczas użytkowania zawsze stosuj środki ochrony indywidualnej (ŚOI) w celu uniknięcia zranienia. Dotyczy to również osób wchodzących na teren zakładu.
- Sprawdź środowisko pracy. Nie dopuszczaj osoby nieuprawnione do wejścia w środowisko pracy.
- Produkt należy chronić przed wodą i wilgocią.
- Upewnij się, że pomieszczenie jest zawsze wystarczająco wentylowane; dotyczy to zwłaszcza ograniczonych przestrzeni.
- Upewnij się, że w warsztacie, w pobliżu produktu, znajduje się wystarczająca ilość gaśnic przeciwpożarowych (zatwierdzonych odpowiednio dla klas pożarowych ABC).
- Nie pozostawiaj żadnych narzędzi ani innych przedmiotów w urządzeniu ani na urządzeniu.
- Prąd spawania pomiędzy obrabianym przedmiotem a spawarką ma niską odporność. W ten sposób unika się związku między przedmiotem obrabianym i MonoGo, tak że nie ma możliwości powrotu prądu spawania płynącego z powrotem do spawarki poprzez przewód uziemienia w MonoGo.






### Obsługa, konserwacja i naprawy

- Należy przestrzegać terminów konserwacji podanych w niniejszej instrukcji. Zwleknięcie z czynnościami konserwacyjnymi może prowadzić do wysokich kosztów napraw i przeglądów oraz może spowodować, że gwarancja zostanie unieważniona.
- Zawsze należy stosować środki ochrony indywidualnej (ŚOI), aby uniknąć obrażeń. Dotyczy to również osób, które wchodzi na obszar roboczy.
- Upewnij się, czy pomieszczenie jest odpowiednio wentylowane.
- Należy używać narzędzia, materiały, smary i metody pracy, które zostały zatwierdzone przez producenta. Nie wolno używać zużytych narzędzi i nie pozostawiać żadnych narzędzi na lub w produkcie.
- Podczas pracy na wysokości większej niż 2 metry używaj zabezpieczeń chroniących przed upadkiem (zwróć uwagę na lokalne przepisy).

3. "Zastosowanie", jak opisano w EN ISO 12100-1 jest to użycie, do którego wyrób techniczny jest dostosowany w sposób określony przez producenta, łącznie z kierunkami określonymi w broszurze sprzedaży. W razie wątpliwości, co do wykorzystania o którym można wywnioskować z budowy, modelu i funkcji produktu technicznego, które jest uważane za normalne używanie. Praca maszyny w granicach jego przeznaczenia obejmuje także przestrzeganie instrukcji zawartych w podręczniku użytkownika.



- Zawsze należy oczyścić teren po zakończeniu pracy.

	<b>UWAGA</b> Obsługa, konserwacja i naprawy muszą być wykonywane przez autoryzowany, wykwalifikowany i przeszkolony personel (z uprawnieniami) przy użyciu odpowiednich narzędzi oraz metod pracy.
	<b>UWAGA</b> Przed rozpoczęciem obsługi, konserwacji i / lub prac naprawczych należy: - całkowicie odłączyć urządzenie od sieci elektrycznej - odłączyć zasilanie sprężonym powietrzem
 	<b>Środki ochrony indywidualnej (ŚOI)</b> Stosować ochronę dróg oddechowych oraz rękawice ochronne podczas serwisowania, konserwacji i napraw urządzenia.
	<b>UWAGA</b> Odkurzacz przemysłowy wykorzystywany podczas wykonywania serwisu i konserwacji musi posiadać klasę pyłu H oraz być zgodny z normą EN 60335-2-69 lub klasą HEPA (efektywności $\geq 99.97\%$ przy 0,3 um).

## 4 INSTALACJA

### 4.1 Narzędzia i wymagania

Potrzebne są następujące narzędzia i wymagania, aby zainstalować urządzenie:

- podstawowe narzędzia
- wózek widłowy

#### 4.1.1 Elementy montowane lokalnie

- sprzęt do montażu na ścianie<sup>4</sup>
- przewód sieciowy 3G1.5 (3x1,5 mm<sup>2</sup>)
- dławik kablowy M20 (2)
- opcja: wtyczka<sup>5</sup>

### 4.2 Rozpakowanie

Należy upewnić się, że produkt jest kompletny. Opakowanie zawiera:

#### Jednostka filtracyjna

- stacjonarne urządzenie filtrujące, w tym wspornik ścienny
- śruba M10x30 (2) + nakrętek zabezpieczających M10 (2) + podkładka (4)
- podkładka M6 (8)
- nakrętka M6x25 (8)

#### Ramię odciągowe

##### W przypadku MonoGo: ramię elastyczne

- ramię odciągowe (wstępnie zmontowane, z wyjątkiem przewodu elastycznego)
- przewód elastyczny
- opaska zaciskowa (2)
- kołnierz obrotowy
- obrotowy pierścień obrotowy, w tym gumowa opaska
- ssawa
- kołnierz ssawy z siatką zabezpieczającą
- podkładka M20
- śruba z łbem M6x25 (4)

##### W przypadku MonoGo<sup>plus</sup>: ramię metalowe

- ramię odciągowe (wstępnie zmontowane)
- kołnierz obrotowy
- obrotowy pierścień obrotowy, w tym gumowa opaska

- ssawa
- kołnierz ssawy z siatką zabezpieczającą
- podkładka M20
- śruba z łbem M6x25 (4)

#### Sterownik

- wyłącznik

### 4.3 Filtr stacjonarny



#### UWAGA!

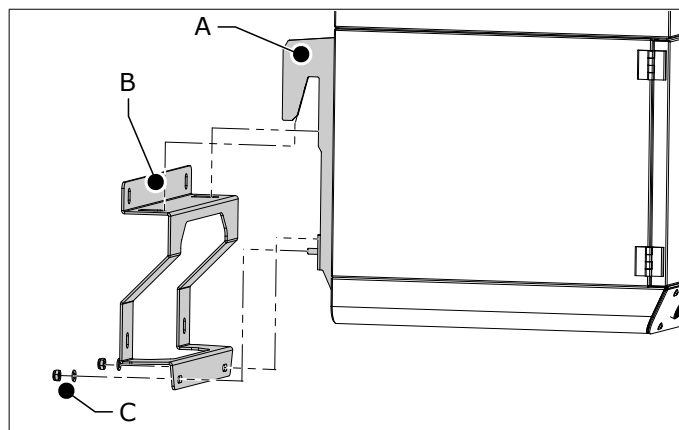
Przed zainstalowaniem urządzenia upewnij się, że ściana jest wystarczająco mocna. Ciężar urządzenia podano w rozdziale 1.3.

- Aby uzyskać zalecaną wysokość montażu i wzór otworów wspornika ściennego, patrz Rys/Fig. III na stronie 52.

Aby zainstalować wspornik ścienny, wykonaj następujące czynności.

#### Rys. 4.1

- Uchwyt ścienny jest tymczasowo przymocowany do urządzenia za pomocą opaski zaciskowej. Przetnij opaskę zaciskową.
- Zamontuj wspornik ścienny (B) na ścianie. Użyj wszystkich 4 punktów mocowania.
- Podnieś urządzenie i włóż zaczepy (A) w otwory wspornika ściennego.
- Przymocuj urządzenie do wspornika ściennego za pomocą śruby, nakrętek i podkładek (C).
- Przymocuj urządzenie do uchwyty ściennego za pomocą śrub, nakrętek zabezpieczających i podkładek (C).



Rys. 4.1 Montaż wspornika ściennego

### 4.4 Ramię do jednostki stacjonarnej

- Aby zainstalować ramię odciągowe, należy postępować w następujący sposób.



#### WSKAZÓWKA

Wykonaj kontrolę równowagi ramienia przed założeniem węża. Zobacz rozdział 6.3.

#### Rys. 4.2

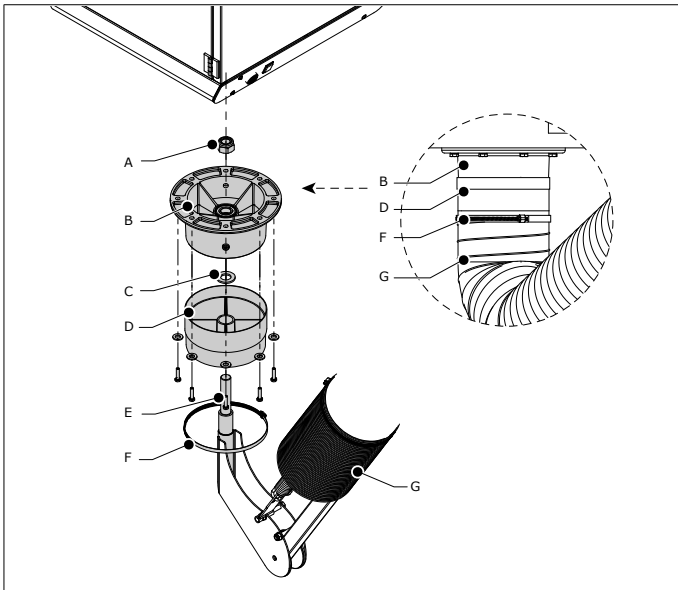
- Wykręcić nakrętkę M20 (A) z pręta zawiasu (E).
- W przypadku ramienia z przewodem elastycznym: umieścić wąż nad wewnętrznymi stelarzem ramienia.
- Nasuń opaskę zaciskową (F) i pierścień obrotowy (wraz z gumową opaską) (D) na pręt zawiasu ramienia (E).
- Umieść podkładkę M20 (C) centralnie na pierścieniu obrotowym ramienia (D).
- Włóż pręt zawiasu ramienia (E) w kołnierz (B).
- Umieść wąż (G) na pierścieniu obrotowym (D).
- Użyj gumowej opaski, aby połączenie było szczelne.

4. Typ sprzętu zależy od rodzaju ściany

5. Alternatywnie: bezpośrednie połączenie z siecią + dodatkowy wyłącznik główny



- Przymocuj węź (G) do pierścienia obrotowego (D) za pomocą opaski zaciskowej (F).
- Załóż nakrętkę zabezpieczającą M20 (A) na pręt zawiasu ramienia (E) i dokręć ją.
- Zamontuj kołnierz wraz z ramieniem do jednostki filtrującej za pomocą 8 śrub M6x25 + podkładki M6.



Rys. 4.2 Ramię do jednostki stacjonarnej

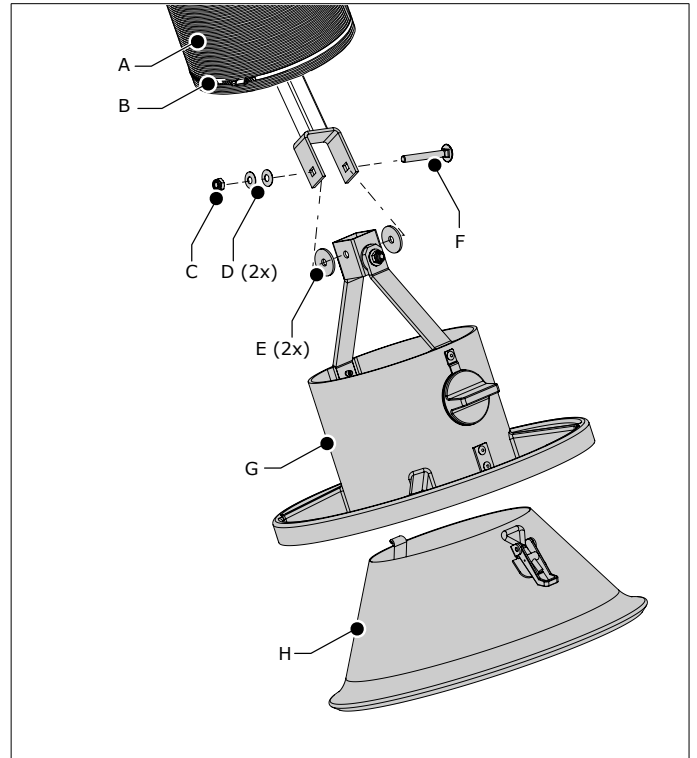
#### 4.5 Montaż ssawki

Aby zainstalować ssawę, wykonaj następujące czynności.

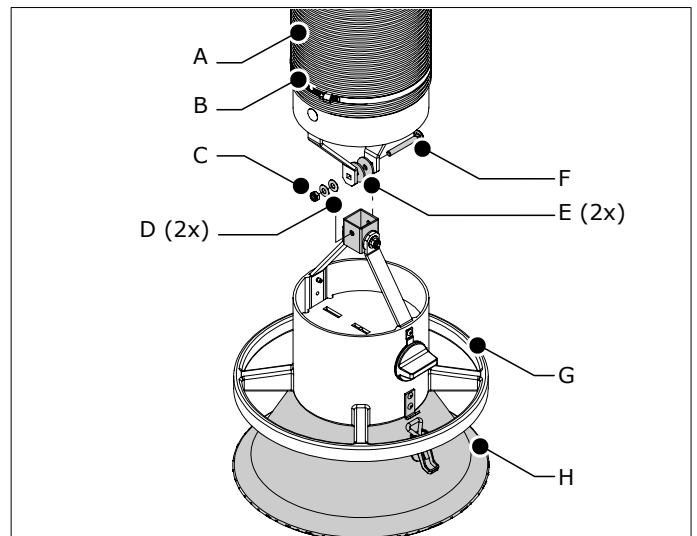
*Ramię elastyczne (EconomyArm): patrz Rys. 4.3*

*Ramię metalowe (KUA): patrz Rys. 4.4*

- Poluzuj elementy montażowe przymocowane do zawiasu ssawki.
- Zamontuj ssawę (G) za pomocą śruby (F), 2 podkładek (E), 2 podkładek sprężystych (D) i nakrętki blokującej (C).
- Zamontuj kołnierz (H) na ssawie (G). Zaczep go za pomocą klipsa.
- Zamontuj węź (A) do ssawy.
- Zamocuj węźa do ssawy za pomocą opaski zaciskowej (B).



Rys. 4.3 Montaż ssawy (ramię z przewodem elastycznym / EconomyArm)



Rys. 4.4 Montaż ssawy (ramię metalowe / KUA)

#### 4.6 Wyłącznik

- Zainstaluj wyłącznik w odpowiedniej pozycji.
- Podłączyc skrzynkę rozdzielczą do jednostki filtrującej i do sieci elektrycznej zgodnie z dostarczonym oddzielnie schematem elektrycznym

## 5 UŻYTKOWANIE



#### **OSTRZEŻENIE!**

Zagrożenie pożarowe! Nie używać produktu do aplikacji polerowania w połączeniu ze szlifowaniem, spawaniem lub innych aplikacji, które generują iskry.

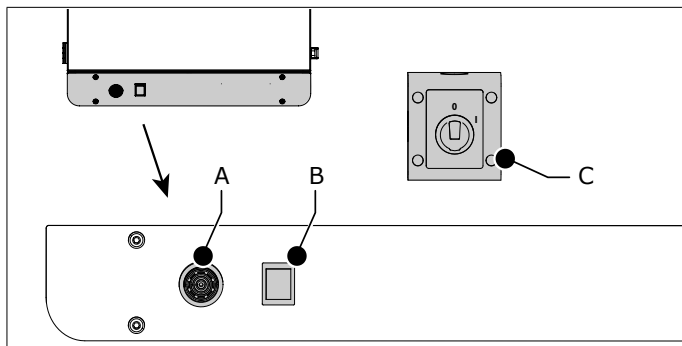
**Patrz rozdział 3 / Bezpieczeństwo / Użytkowanie.**

## 5.1 Panel sterowania

Urządzenie MonoGo ma oddzielny wyłącznik, który umożliwia włączanie i wyłączanie urządzenia. Kontrolki i wskaźniki:

Rys. 5.1

- A Brzęczyk (wskaźnik serwisowy)
- B Lampka kontrolki
- C Wyłącznik obrotowy 0-1



Rys. 5.1 Kontrolki i wskaźniki

## 5.2 Użytkowanie

- Ustawić ramię odciągowe połączone do urządzenia w odległości 400-800 mm, od źródła zanieczyszczenia. Patrz Rys./Fig. IV na stronie 53 dla prawidłowego położenia.
- Upewnij się, że przepustnica (patrz Rys. 2.1F) jest otwarta.
- Uruchom urządzenie (patrz Rys. 5.1C).
- Rozpocznij spawanie.
- Gdy zmienia się położenie spawania należy przesunąć ramię odciągowe do prawidłowego położenia w stosunku do spoiny.

**UWAGA!**  
Aby utrzymać dymy spawalnicze z dala od strefy oddychania spawacza, upewnij się, że wszystkie opary są usuwane za pomocą ramienia odciągowego.

- Naciśnij przycisk START/STOP ok. 20 sekund po zakończeniu spawania w celu zatrzymania wentylatora.

Gdy przepływ powietrza jest zbyt niski podczas użytkowania, brzęczyk (patrz Rys. 5.1A) emituje alarm dźwiękowy. Sprawdź w rozdziale 7 możliwą przyczynę i rozwiązanie.

**UWAGA**  
Jeśli nie wymienisz filtra wstępnego i / lub kasety filtra HEPA na czas, przepływ powietrza (wydajność odciągu) będzie spadała.

## 6 OBSŁUGA

### 6.1 Okresowa konserwacja

Produkt został zaprojektowany, aby funkcjonować bez problemów przez długi czas z minimum konserwacji. W celu zagwarantowania tego wymagane jest kilka prostych, regularnych czynności konserwacji i czyszczenia, które są opisane w tym rozdziale. Jeśli wykazana zostanie niezbędna ostrożność i przeprowadzane będą czynności konserwacji w regularnych odstępach czasu, wszelkie problemy występujące zostaną wykryte i skorygowane, zanim doprowadzą do całkowitego unieruchomienia urządzenia.

**OSTRZEŻENIE!**  
Przekraczanie terminów konserwacji może spowodować pożar.

Podane interwały konserwacyjne mogą się różnić w zależności od konkretnych warunków pracy i otoczenia. Dlatego też zaleca się, aby dokładnie kontrolować kompletny produkt raz na rok podczas okresowej konserwacji. W tym celu należy skontaktować się z dostawcą.

Komponenty	Czynność	Częstotliwość: każdego X miesiąca	
		X=6	X=12
<b>Jednostka filtracyjna</b>			
Obudowa	Wyczyść z zewnątrz przy użyciu łagodnych detergentów		X
	Wyczyść wewnątrz przy użyciu odkurzacza przemysłowego i usunąć pył z przedziału wkładu filtracyjnego		X
	Sprawdź materiał uszczelniający drzwi. Wymień w razie potrzeby.		X
Wentylator odciągowy	Sprawdź czy obce elementy nie zalegają w obudowie lub na wirniku. Oczyszcz w razie potrzeby		X
Przewód zasilający	Sprawdź czy nie jest uszkodzony. Napraw lub wymień w razie potrzeby	X *)	
<b>Ramię odciągowe</b>			
Rury	Wyczyść powierzchnię zewnętrzną nieagresywnym detergentem	X	
	Dokładnie wyczyść wnętrze	X	
Przewody elastyczne	Sprawdź, czy nie ma pęknięć lub uszkodzeń. Wymień w razie potrzeby	X	
Ssawa	Sprawdź ruch ssawy. Jeśli to konieczne, wyreguluj przegub trący; patrz rozdział 6.3	X	
Ruch ramion	Sprawdź ruch ramienia w poziomie, pionie i po przekątnej. Jeśli to konieczne, wyreguluj przeguby trące; patrz rozdział 6.3	X	

\*) Przed każdym użyciem

### 6.2 Wymiana wkładu filtracyjnego

Brzęczyk emituje sygnał akustyczny, gdy przepływ powietrza jest zbyt niski.

Upewnij się, że:

- przepustnica jest otwarta
- ramię ssące jest prawidłowo złożone

Jeśli brzęczyk nadal alarmuje, należy wymienić kasety filtrów.

Ponieważ filtr wstępny jest mniejszy i szybciej się zatyka niż filtr HEPA, możesz wymienić kasetę filtra wstępnego kilka razy, zanim zajdzie potrzeba wymiany kasety filtra HEPA.

**Środki ochrony indywidualnej (ŚOI)**  
Podczas wymiany kaset z filtrem należy używać osłony dróg oddechowych, i rękawice ochronne.

**OSTRZEŻENIE**  
**Nie** wymieniaj kaset filtra podczas pracy wentylatora.

**OSTRZEŻENIE**

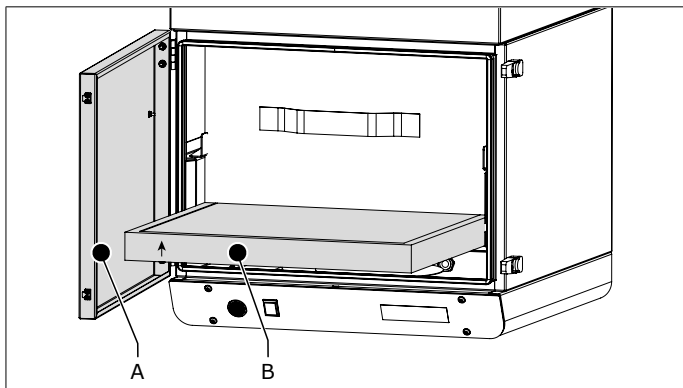
**Nie** otrząsaj lub nie odkurzaj zużytych kaset filtracyjnych, aby uniknąć uwolnienia się cząsteczek pyłu.

**6.2.1 Kasetka filtra wstępnego**

Aby wymienić kasetkę filtra wstępnego, wykonaj następujące czynności.

Rys. 6.1

- Odłączyć zasilanie urządzenia.
- Otwórz drzwi (A).
- Wyjmij kasetkę filtra wstępnego (B).
- Utylizuj zużytą kasetkę z filtrem zgodnie z lokalnymi przepisami.
- Włóż nową kasetkę filtra wstępnego do urządzenia. Upewnij się, że strzałka na ramie skierowana jest w górę<sup>6</sup>.
- Zamknij i zablokuj drzwi.



Rys. 6.1 Wymiana kasetki filtra wstępnego



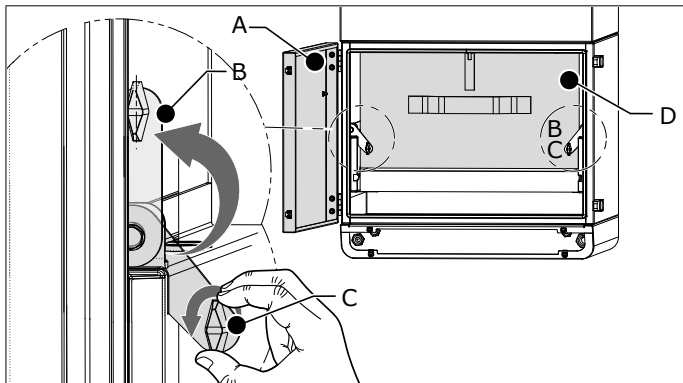
Gdy po wymianie kasetki filtra wstępnego brzęczyk nadal wydaje dźwięk, należy wymienić kasetkę filtra HEPA.

**6.2.2 Kasetka filtra HEPA**

Aby wymienić kasetkę filtra HEPA, wykonaj następujące czynności.

Rys. 6.2

- Odłączyć zasilanie urządzenia.
- Otwórz przednie drzwiczki (A).
- Wyjmij kasetkę filtra wstępnego.
- Poluzuj nakrętki motylkowe (C) i umieść zaciski (B) w pozycji pionowej. Upewnij się, że uchwyt nakrętki motylkowej znajduje się w pozycji pionowej.
- Delikatnie pociągnij i wyjmij filtr HEPA (D).
- Utylizuj zużytą kasetkę filtra HEPA zgodnie z lokalnymi przepisami.

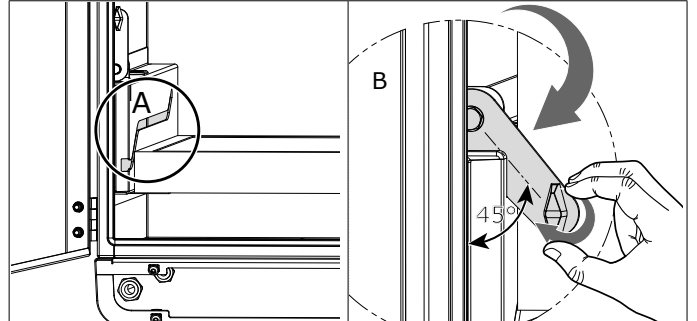


Rys. 6.2 Usunięcie kasetki filtra HEPA

6. Strzałka wskazuje kierunek przepływu powietrza

Rys. 6.2

- Włóż nową kasetkę filtra HEPA do urządzenia. Kołki boczne pasują do szczelin (A) wewnątrz obudowy.
- Zablokuj kasetkę filtra HEPA za pomocą zacisków (B). Upewnij się, że wkładasz zaciski w szczeliny (kąt 45°).
- Dokręć nakrętki motylkowe.
- Włóż kasetkę z filtrem wstępnym z powrotem do obudowy. Upewnij się, że strzałka na ramie skierowana jest w górę<sup>7</sup>.
- Zamknij i zablokuj drzwi.



Rys. 6.3 Szczeliny + zaciski (lewo + prawo)

**6.3 Regulacja ramienia**

Jeśli ramię odciągowe lub jego część nie pozostaje w pożądanym położeniu, należy wyregulować przegub.

**6.3.1 Ramię elastyczne (EconomyArm)**

- Określ, które połączenie wymaga większego lub mniejszego oporu.
- Poluzuj przewód elastyczny, aby uzyskać dostęp do przegubów.
- Pociągnij ramię do pozycji poziomej.
- Dostosuj opór; patrz Rys./Fig. VI na stronie 54 punkty regulacji.

**6.3.2 Ramię metalowe (KUA)**

- Określ, które połączenie wymaga większego lub mniejszego oporu.
- Poluzuj przewód odciągowy, aby uzyskać dostęp do przegubu.
- Pociągnij ramię do pozycji poziomej.
- Dostosuj opór; patrz Rys./Fig. VI na stronie 54 punkty regulacji.

**7 ROZWIĄZYWANIE PROBLEMÓW**

Jeśli jednostka nie działa (prawidłowo), zapoznaj się z poniższą listą kontrolną, aby sprawdzić, czy można naprawić tą usterkę we własnym zakresie. Jeżeli nie będzie to możliwe, należy skontaktować się z dostawcą lub autoryzowanym serwisem.

**OSTRZEŻENIE**

Przestrzegaj przepisów bezpieczeństwa, które są napisane w rozdziale 3 podczas przeprowadzania czynności poniżej.

7. Strzałka wskazuje kierunek przepływu powietrza. Nieprawidłowo umieszczona kasetka filtra wstępnego wpływa na jego żywotność.

Objawy	Problem	Możliwa przyczyna	Rozwiązanie
Wentylator nie uruchamia się	Urządzenie nie pracuje	Brak kabla zasilającego	Podłącz zasilanie
		Zabezpieczenie przed przeciążeniem termicznym jest aktywne	- Sprawdź wentylator i silnik, w celu znalezienia przyczyny i rozwiązania problemu - Push the red Naciśnij czerwony przycisk za przednim panelem, aby zresetować urządzenie. Patrz Rys Fig. V na stronie 53
		Kabel zasilający jest uszkodzony	Napraw lub wymień kabel zasilający
		Luźne styki	Dokręć styki
		Uszkodzony silnik	Napraw lub wymień silnik
Zielona dioda LED świeci, ale wentylator nie działa	Urządzenie nie pracuje	Przełącznik jest uszkodzony	Wymień przełącznik
		Przełącznik termiczny jest uszkodzony	Wymień przełącznik termiczny
		Uszkodzony silnik	Napraw lub wymień silnik
Słaba siła odciągu	Urządzenie nie funkcjonuje prawidłowo	Przepustnica w ssawie ramienia odciągowego jest (częściowo) zamknięta	(W pełni) otwórz przepustnicę
		Zatkane filtry i luźne połączenie czujnika ciśnienia	Napraw połączenie rurek ciśnieniowych
		Zatkane filtry i uszkodzony czujnik ciśnienia	Wymień czujnik ciśnienia i kasetę filtra wstępnego Wymień również kasetę filtra HEPA
Brzęczyk emituje sygnał akustyczny	Słaba siła odciągu	Filtr wstępny jest zatkany	Wymień kasetę filtra wstępnego
		Filtr HEPA jest zatkany	Wymień kasetę filtra HEPA
Ramię odciągowe nie pozostaje w żądanej pozycji	Rozchodzenie się dymów; brak właściwego odciągu	Ustawienia oporu nie są właściwe	Dostosuj opór; patrz rys./Fig. VI na stronie 54 punkty regulacji
Nie możesz utrzymać ramienia w żądanej pozycji			

## 8 CZĘŚCI ZAMIENNE

### 8.1 Jednostka filtracyjna

Następujące części zamienne są dostępne dla danego produktu;  
- patrz widok rozłożony Rys./Fig. IX na stronie 59

### 8.2 Ramię odciągowe

Następujące części zapasowe dla ramion odciągowych są dostępne;  
- przewód elastyczny (EconomyArm): patrz widok rozłożony Rys./Fig. VII na stronie 55  
- ramię metalowe (KUA): patrz widok rozłożony Rys./Fig. VIII na stronie 57

## 9 SCHEMAT ELEKTRYCZNY

Zapoznaj się z oddzielnie dostarczonym schematem elektrycznym.

## 10 UTYLIZACJA

Demontaż i utylizacja urządzenia muszą być wykonywane przez wykwalifikowany personel.



### Środki ochrony indywidualnej (ŚOI)

Stosować środki ochrony dróg oddechowych oraz rękawic ochronnych podczas demontażu i utylizacji urządzenia.

### 10.1 Demontaż

Aby bezpiecznie demontować urządzenia, stosuj się do następujących instrukcji bezpieczeństwa.

Zanim rozpoczniesz demontaż urządzenia:

- odłącz urządzenie od zasilania
- odłącz urządzenie od sprężonego powietrza
- oczyść otoczenie

Podczas demontażu:

- upewnij się, że obszar pracy jest wystarczająco wentylowany

Po demontażu:

- oczyść obszar demontażu

### 10.2 Utylizacja

Utylizacja zanieczyszczeń i pyłu wraz ze zużytym wkładem filtracyjnym powinno odbyć się w sposób profesjonalny, zgodnie z przepisami lokalnymi.

## DEKLARACJA CE

### Deklaracja zgodności CE dla maszyn

My, Plymovent Manufacturing B.V., Koraalstraat 9, 1812 RK Alkmaar, Holandia, niniejszym oświadczamy, na własną odpowiedzialność, że produkt (ów):

- MonoGo
- MonoGo<sup>plus</sup>

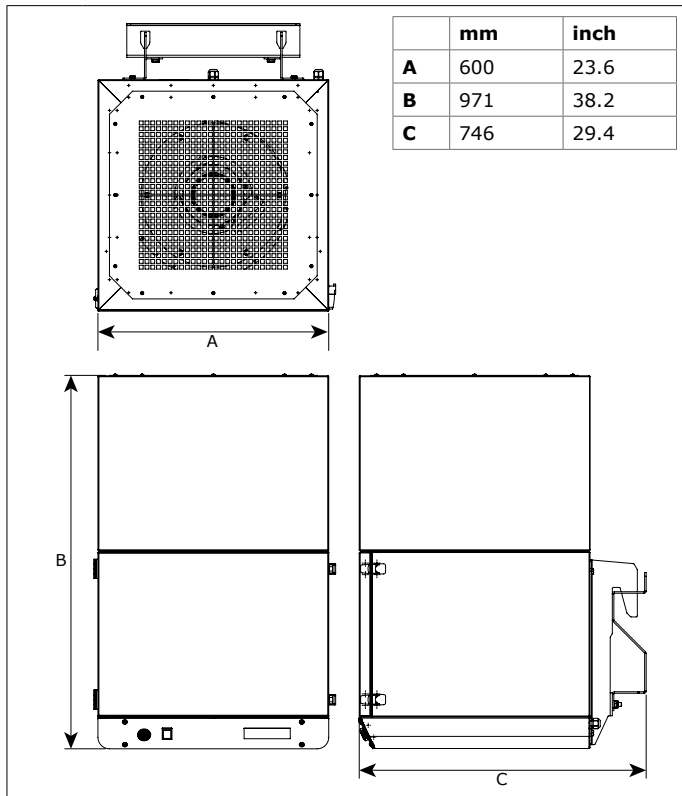
którego dotyczy niniejsza deklaracja, jest / są zgodne z warunkami następujących dyrektyw:

- Dyrektywa maszynowa 2006/42 EC
- EMC 2004/108 EC
- LVD 2006/95 EC
- Dyrektywą ErP 2009/125 EC

Podpis:

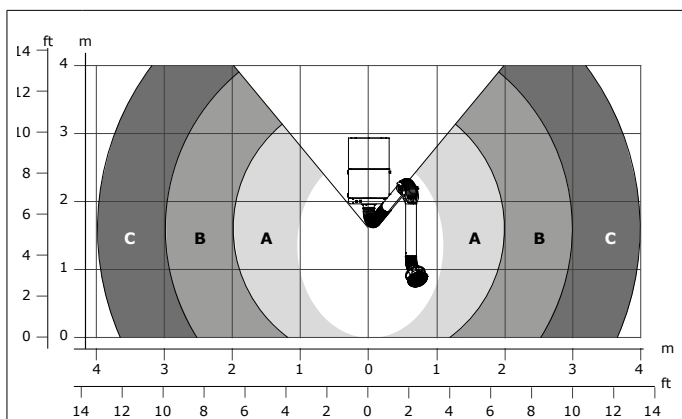
Nazwisko: M.S.J. Ligthart  
Funkcja: Product Manager  
Data: 1-5-2018

Fig. I Dimensions



EN	Dimensions
NL	Afmetingen
DE	Abmessungen
FR	Dimensions
ES	Dimensiones
IT	Dimensioni
PT	
PL	Wymiary

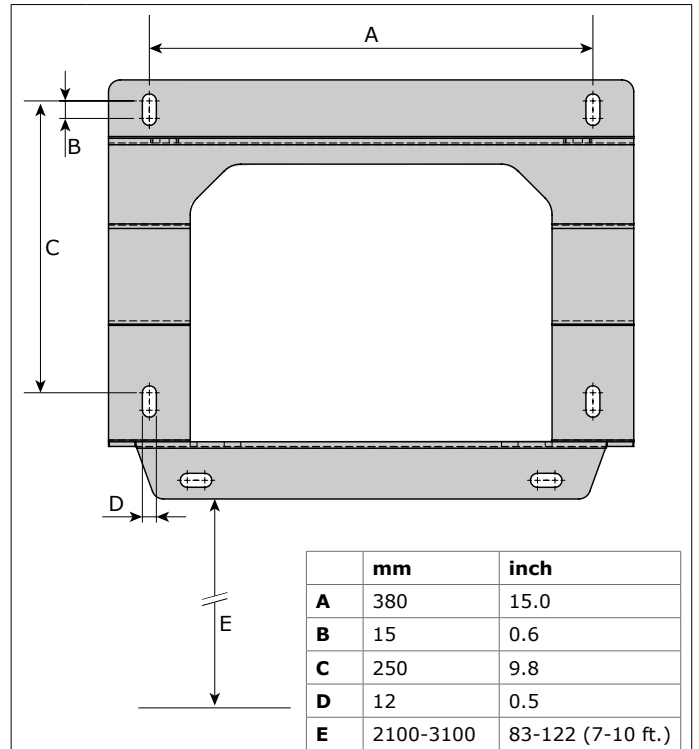
Fig. II Working range



<b>A</b>	EA-2	KUA-2
<b>B</b>	EA-3	KUA-3
<b>C</b>	EA-4	KUA-4
EN	Working range	
NL	Werkbereik	
DE	Bereich	
FR	Portée	
ES	Alcance de trabajo	

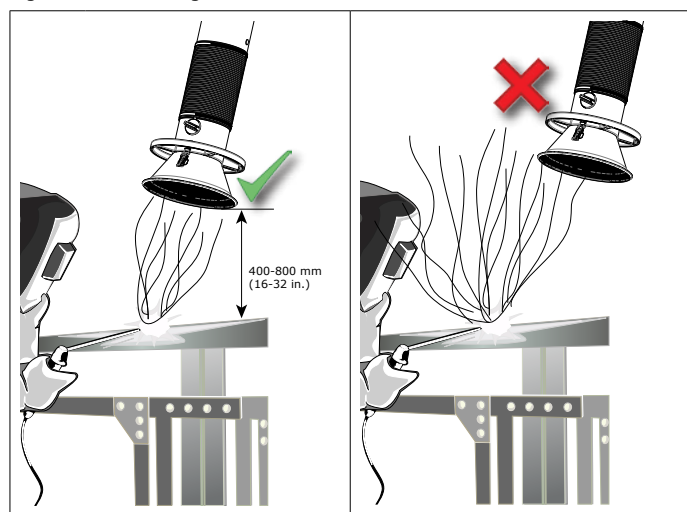
IT	Raggio di lavoro
PT	
PL	Zakres pracy

Fig. III Installation height



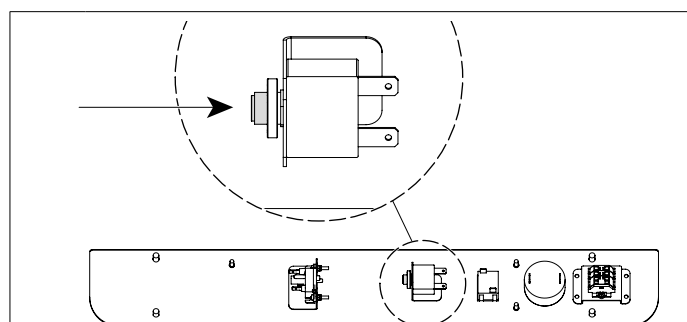
EN	Recommended installation height (E) + hole pattern
NL	Aanbevolen installatiehoogte (E) + gatenpatroon
DE	Empfohlene Installationshöhe (E) + Bohrmuster
FR	Hauteur recommandée d'installation (E) + configuration des trous
ES	Altura de instalación recomendada (E) + diseño de agujeros
IT	Altezza di installazione raccomandata (E) + disposizione dei fori
PT	
PL	Zalecana wysokość montażu (E) + wzór otworów

Fig. IV Positioning of the extraction arm



EN	Positioning of the extraction arm
NL	Positionering van de afzuigarm
DE	Positionierung des Absaugarms
FR	Positionnement du bras d'aspiration
ES	Posicionamiento del brazo de aspiración
IT	Posizionamento del braccio aspirante
PT	
PL	Ustawienie ramienia odciągowego

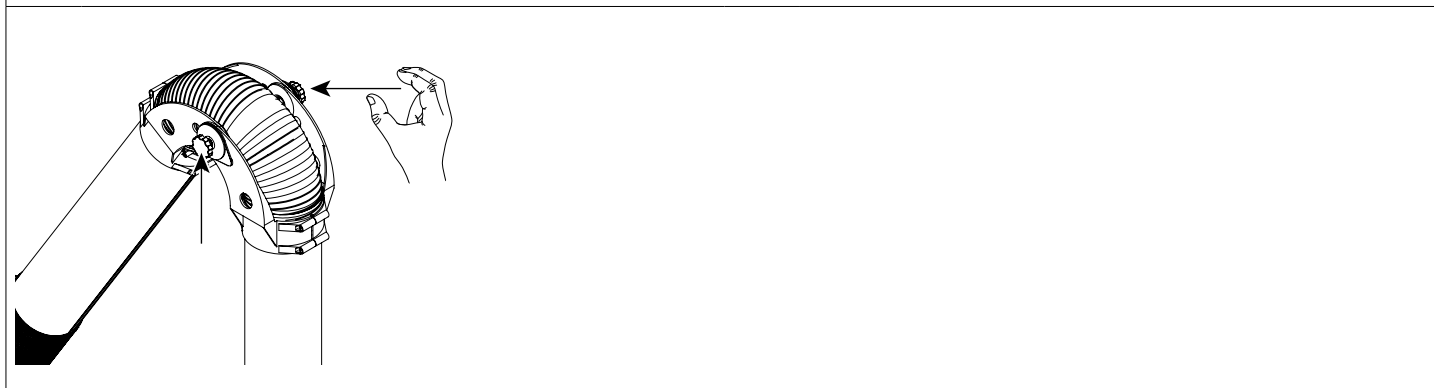
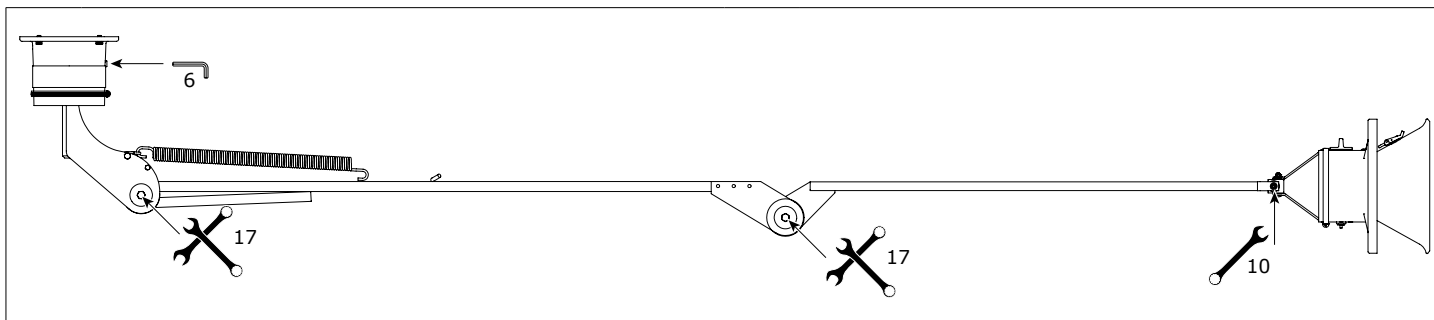
Fig. V Reset



EN	Reset button
NL	Resetknop
DE	Rückstelltaste
FR	Bouton de réinitialisation
ES	Botón de reinicio
IT	
PT	
PL	Przycisk resetowania

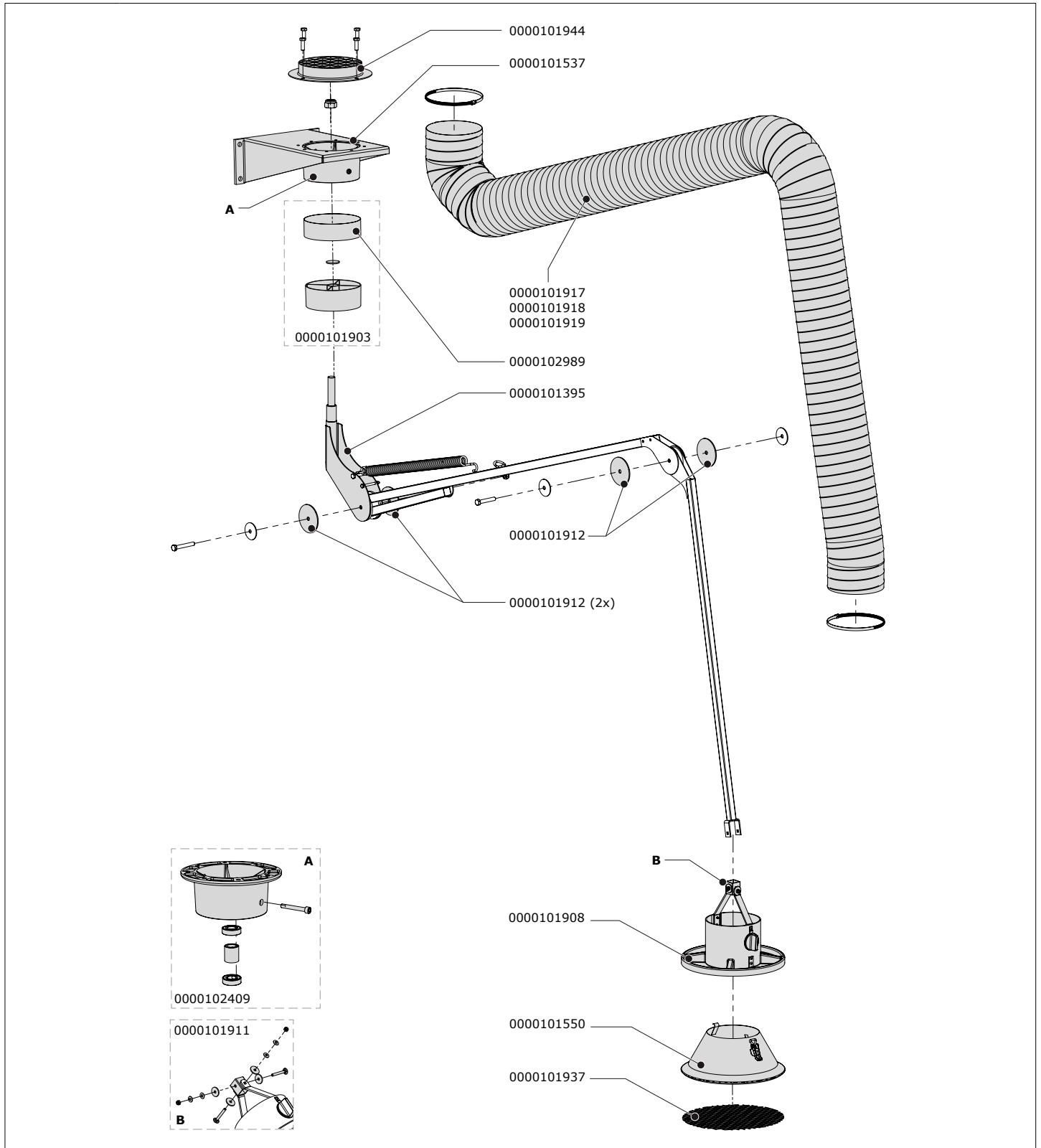


Fig. VI Adjustment



EN	Adjustment of the extraction arm   Adjustment points	ES	Ajuste del brazo de aspiración   Puntos de ajuste
NL	Afstellen van de afzuigarm   Afstelpunten	IT	Regolazione del braccio   Punti di regolazione
DE	Einstellung des Absaugarms   Einstellpunkte	PT	
FR	Réglage du bras d'aspiration   Points de réglage	PL	Regulacja ramienia odciągowego   Punkty dostosowania

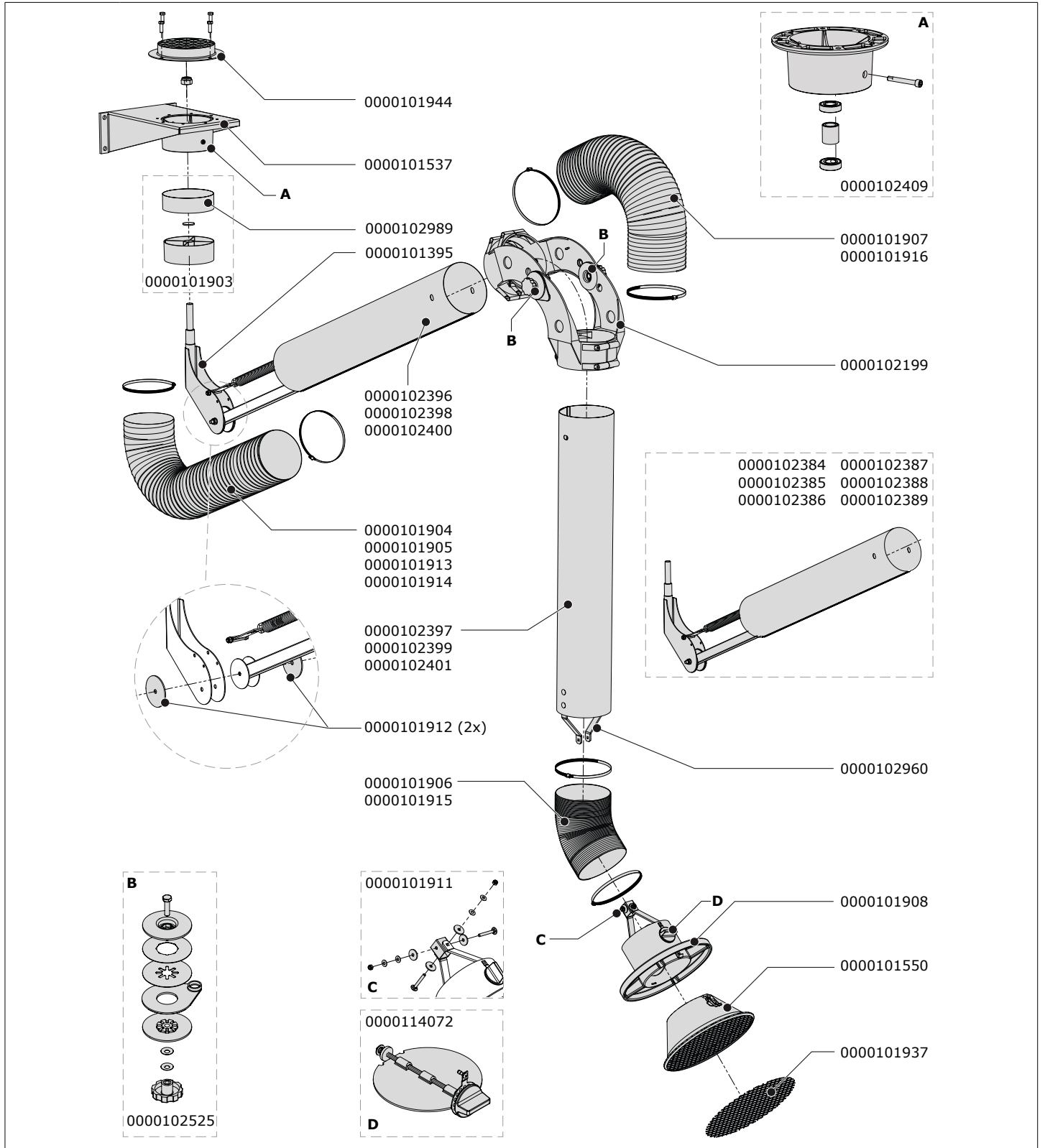
Fig. VII Exploded view EconomyArm



EN	Exploded view hose tube arm (EconomyArm)
NL	Exploded view slangarm (EconomyArm)
DE	Explosionszeichnung Schlaucharm (EconomyArm)
FR	Vue éclatée du bras tuyau (EconomyArm)
ES	Vista de despiece brazo de tubo manguera (EconomyArm)
IT	Visa esplosa del braccio a tubo (EconomyArm)
PT	
PL	Widok ramienia z przewodem elastycznym (EconomyArm)

	EN   Spare parts	NL   Reserveonderdelen	DE   Ersatzteile	FR   Pièces détachées
<b>EconomyArm</b>	<b>Hose tube arm</b>	<b>Slangarm</b>	<b>Schlaucharm</b>	<b>Bras tuyau</b>
0000101550	Hood with safety mesh	Kap met beschermgaas	Haube mit Gittergewebe	Hotte avec toile métallique
0000101903	Arm swivel ring, incl. rubber collar and washer	Draaischarnier, incl. manchet en onderleging	Drehgelenk, inkl. Gummimanschette und Unterlegscheibe	Joint tournant, manchon et rondelle inclus
0000101908	Hood collar, incl. handle, damper and hood hinge	Kraag kap, incl. handgreep, regel-/afsluitklep en kapscharnier	Kragen für Haube, inkl. Handgriff, Luftregulierklappe und Haubengelenk	Collet pour hotte, poignée, obturateur et charnière de la hotte inclus
0000101911	Hood hinge, incl. mounting material	Kapscharnier, incl. bevestigingsmateriaal	Haubengelenk, inkl. Befestigungsmaterial	Charnière de la hotte, matériaux de raccordement inclus
0000101912	Friction plate 83x10x3 mm (set of 2)	Frictieplaat 83x10x3 mm (set van 2)	Reibungsplatte 83x10x3 mm (Satz von 2 St.)	Plaque de frottement 83x10x3 mm (jeu de 2)
0000101937	Safety mesh Ø 300 mm	Beschermgaas Ø 300 mm	Gittergewebe Ø 300 mm	Toile métallique Ø 300 mm
0000101944	Connection flange with grid	Aansluitflens met rooster	Anschlussflansch mit Gitter	Bride de connexion avec grille
0000102409	Rotating flange (ball bearing)	Draaiflens (met kogellagers)	Drehflansch (mit Kugellagern)	Bride rotative (à roulements à billes)
0000102989	Rubber collar Ø 160 mm	Manchet Ø 160 mm	Gummimanschette Ø 160 mm	Manchon Ø 160 mm
<b>EA-2 (2 m)</b>				
0000101917	Hose L=2500 mm/Ø 161 mm, incl. 2 hose clamps	Slang L=2500 mm/Ø 161 mm, incl. 2 slangklemmen	Schlauch L=2500 mm/Ø 161 mm, inkl. 2 Schlauchklemmen	Tuyau L=2500 mm/Ø 161 mm, 2 colliers de serrage inclus
<b>EA-3 (3 m)</b>				
0000101919	Hose L=3500 mm/Ø 161 mm, incl. 2 hose clamps	Slang L=3500 mm/Ø 161 mm, incl. 2 slangklemmen	Schlauch L=3500 mm/Ø 161 mm, incl. 2 Schlauchklemmen	Tuyau L=3500 mm/Ø 161 mm, 2 colliers de serrage inclus
	ES   Piezas de recambio	IT   Pezzi di ricambio	PT	PL
<b>EconomyArm</b>	<b>Brazo de tubo manguera</b>			<b>Ramię elastyczne</b>
0000101550	Campana con malla de seguridad			Ssawa z siatką bezpieczeństwa
0000101903	Anillo de rotación de brazo, incl. cuello de goma y arandela			Pierścień obrotowy, w tym gumowy kołnierz i podkładka
0000101908	Cuello de campana, incl. asa, válvula y bisagra de campana			Ssawka, w tym: uchwyt, przepustnica i ssawka z siatką
0000101911	Bisagra de campana, incl. material de montaje			Ssawka z siatką, w tym materiały montażowe
0000101912	Placa de fricción 83x10x3 mm (juego de 2)			Podkładka oporowa 83x10x3 mm (zestaw 2 szt.)
0000101937	Malla de seguridad Ø 300 mm			Siatka zabezpieczająca Ø 300 mm
0000101944	Brida de conexión con rejilla			Kołnierz przyłączeniowy z siatką
0000102409	Brida giratoria (cojinete de bolas)			Kołnierz obrotowy (łożyskowy)
0000102989	Cuello de goma Ø 160 mm			Opaska gumowa Ø 160 mm
<b>EA-2 (2 m)</b>				
0000101917	Manguera L=2500 mm/Ø 161 mm, incl. 2 abrazaderas			Wąż L = 2500 mm/Ø 161 mm, w tym. 2 opaski zaciskowe
<b>EA-3 (3 m)</b>				
0000101919	Manguera L=3500 mm/Ø 161 mm, incl. 2 abrazaderas			Wąż L = 3500 mm/Ø 161 mm, w tym. 2 opaski zaciskowe

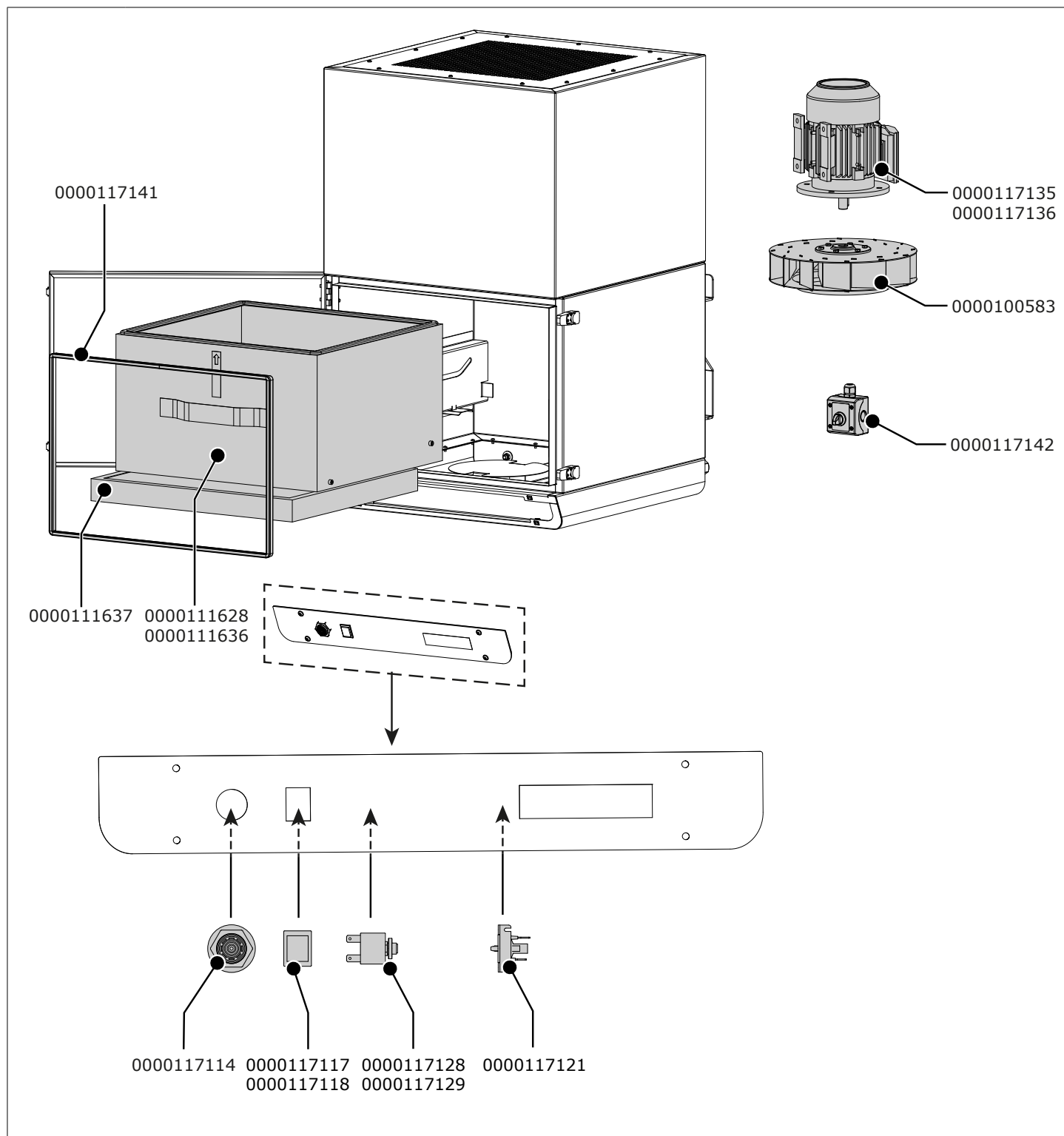
Fig. VIII Exploded view KUA



EN	Exploded view metal tube arm (KUA)
NL	Exploded view metalen arm (KUA)
DE	Explosionszeichnung Metallrohr-Arm (KUA)
FR	Vue éclatée du bras métallique (KUA)
ES	Vista de despiece brazo de tubo metálico (KUA)
IT	Visa esplosa del braccio metallico (KUA)
PT	
PL	Widok ramienia stalowego (KUA)

	EN   Spare parts	NL   Reserveonderdelen	DE   Ersatzteile	FR   Pièces détachées
<b>KUA</b>	<b>Metal tube arm</b>	<b>Metalen arm</b>	<b>Metallrohr-Arm</b>	<b>Bras métallique</b>
0000101550	Hood with safety mesh	Kap met beschermgaas	Haube mit Gittergewebe	Hotte avec toile métallique
0000101903	Arm swivel ring, incl. rubber collar and washer	Draaischarnier, incl. manchet en onderlegging	Drehgelenk, inkl. Gummi-manschette und Unterlegscheibe	Joint tournant, manchon et rondelle inclus
0000101906	Hose L=400 mm/Ø 161 mm <sup>1)</sup>	Slang L=400 mm/Ø 161 mm <sup>1)</sup>	Schlauch L=400 mm/Ø 161 mm <sup>1)</sup>	Tuyau L=400 mm/Ø 161 mm <sup>1)</sup>
0000101907	Hose L=650 mm/Ø 161 mm <sup>1)</sup>	Slang L=650 mm/Ø 161 mm <sup>1)</sup>	Schlauch L=650 mm/Ø 161 mm <sup>1)</sup>	Tuyau L=650 mm/Ø 161 mm <sup>1)</sup>
0000101908	Hood collar, incl. handle, damper and hood hinge	Kraag kap, incl. handgreep, regel-/afsluitklep en kapscharnier	Kragen für Haube, inkl. Handgriff, Luftregulierklappe und Haubengelenk	Collet pour hotte, poignée, obturateur et charnière de la hotte inclus
0000101911	Hood hinge, incl. mounting material	Kapscharnier, incl. bevestigingsmateriaal	Haubengelenk, inkl. Befestigungsmaterial	Charnière de la hotte, matériaux de raccordement inclus
0000101912	Friction plate 83x10x3 mm (set of 2)	Frictieplaat 83x10x3 mm (set van 2)	Reibungsplatte 83x10x3 mm (Satz von 2 St.)	Plaque de frottement 83x10x3 mm (jeu de 2)
0000101937	Safety mesh Ø 300 mm	Beschermgaas Ø 300 mm	Gittergewebe Ø 300 mm	Toile métallique Ø 300 mm
0000101944	Connection flange with grid	Aansluitflens met rooster	Anschlussflansch mit Gitter	Bride de connexion avec grille
0000102199	Elbow joint	Middenscharnier	Ellenbogengelenk	Articulation du coude
0000102409	Rotating flange (ball bearing)	Draaiflens (met kogellagers)	Drehflansch (mit Kugellagern)	Bride rotative (à roulements à billes)
0000102525	Mounting kit for middle hinge	Montageset voor middenscharnier	Befestigungsmaterial für Mittelgelenk	Jeu de montage pour articulation du coude
0000102960	Brackets outer tube (2 pcs)	Beugels binnenste buis (2 stuks)	Montagebügel (2 St.) für Außenrohr	Support (2 pcs) pour tube extérieur
0000102989	Rubber collar Ø 160 mm	Manchet Ø 160 mm	Gummimanschette Ø 160 mm	Manchon Ø 160 mm
<b>KUA-2 (2 m)</b>				
0000101904	Hose L=850 mm/Ø 161 mm <sup>1)</sup>	Slang L=850 mm/Ø 161 mm <sup>1)</sup>	Schlauch L=850 mm/Ø 161 mm <sup>1)</sup>	Tuyau L=850 mm/Ø 161 mm <sup>1)</sup>
0000102384	Inner frame KUA-2/H, complete	Binnenframe KUA-2/H, compleet	Innenrahmen KUA-2/H, komplett	Châssis intérieur KUA-2/H, complet
0000102396	Inner tube KUA-2	Binnenste buis KUA-2	Innenrohr KUA-2	Tube intérieur KUA-2
0000102397	Outer tube KUA-2	Buitenste buis KUA-2	Außenrohr KUA-2	Tube extérieur KUA-2
<b>KUA-3 (3 m)</b>				
0000101905	Hose L=1000 mm/Ø 161 mm <sup>1)</sup>	Slang L=1000 mm/Ø 161 mm <sup>1)</sup>	Schlauch L=1000 mm/Ø 161 mm <sup>1)</sup>	Tuyau L=1000 mm/Ø 161 mm <sup>1)</sup>
0000102385	Inner frame KUA-3/H, complete	Binnenframe KUA-3/H, compleet	Innenrahmen KUA-3/H, komplett	Châssis intérieur KUA-3/H, complet
0000102398	Inner tube KUA-3	Binnenste buis KUA-3	Innenrohr KUA-3	Tube intérieur KUA-3
0000102399	Outer tube KUA-3	Buitenste buis KUA-3	Außenrohr KUA-3	Tube extérieur KUA-3
<b>KUA-4 (4 m)</b>				
0000101905	Hose L=1000 mm/Ø 161 mm <sup>1)</sup>	Slang L=1000 mm/Ø 161 mm <sup>1)</sup>	Schlauch L=1000 mm/Ø 161 mm <sup>1)</sup>	Tuyau L=1000 mm/Ø 161 mm <sup>1)</sup>
0000102386	Inner frame KUA-4/H, complete	Binnenframe KUA-4/H, compleet	Innenrahmen KUA-4/H, komplett	Châssis intérieur KUA-4/H, complet
0000102400	Inner tube KUA-4	Binnenste buis KUA-4	Inner tube KUA-4	Tube intérieur KUA-4
0000102401	Outer tube KUA-4	Buitenste buis KUA-4	Außenrohr KUA-4	Tube extérieur KUA-4
1)	<i>incl. 2 hose clamps</i>	<i>incl. 2 slangklemmen</i>	<i>inkl. 2 Schlauchklemmen</i>	<i>2 colliers de serrage inclus</i>
	<b>ES   Piezas de recambio</b>	<b>IT   Pezzi di ricambio</b>	<b>PT</b>	<b>PL</b>
<b>KUA</b>	<b>Brazo de tubo metálico</b>			<b>Ramię metalowe</b>
0000101550	Campana con malla de seguridad			Ssawa z siatką bezpieczeństwa
0000101903	Anillo de rotación de brazo, incl. cuello de goma y arandela			Pierścień obrotowy, w tym gumowy kołnier i podkładka
0000101906	Manguera L=400 mm/Ø 161 mm <sup>1)</sup>			Wąż L = 400 mm/Ø 161 mm <sup>1)</sup>
0000101907	Manguera L=650 mm/Ø 161 mm <sup>1)</sup>			Wąż L = 650 mm/Ø 161 mm <sup>1)</sup>
0000101908	Cuello de campana, incl. asa, válvula y bisagra de campana			Ssawka, w tym: uchwyt, przepustnica i ssawka z siatką
0000101911	Bisagra de campana, incl. material de montaje			Ssawka z siatką, w tym materiały montażowe
0000101912	Placa de fricción 83x10x3 mm (juego de 2)			Podkładka oporowa 83x10x3 mm (zestaw 2 szt.)
0000101937	Malla de seguridad Ø 300 mm			Siatka zabezpieczająca Ø 300 mm
0000101944	Brida de conexión con rejilla			Kołnier przyłączeniowy z siatką
0000102199	Bisagra central			Przegub
0000102409	Brida giratoria (cojinete de bolas)			Kołnier obrotowy (łożyskowany)
0000102525	Kit de montaje para bisagra central			Zestaw montażowy do środkowego przegubu
0000102960	Soportes tubo exterior (2 piezas)			Zewnętrzne wsporniki rury (2 szt.)
0000102989	Cuello de goma Ø 160 mm			Opaska gumowa Ø 160 mm
<b>KUA-2 (2 m)</b>				
0000101904	Manguera L=850 mm/Ø 161 mm <sup>1)</sup>			Wąż L = 850 mm/Ø 161 mm <sup>1)</sup>
0000102384	Bastidor interior KUA-2/H, completo			Stelaż wewnętrzny ramienia, komplet
0000102396	Tubo interior KUA-2			Rura wewnętrzna KUA-2
0000102397	Tubo exterior KUA-2			Rura zewnętrzna KUA-2
<b>KUA-3 (3 m)</b>				
0000101905	Manguera L=1000 mm/Ø 161 mm <sup>1)</sup>			Wąż L = 1000 mm/Ø 161 mm <sup>1)</sup>
0000102385	Bastidor interior KUA-3/H, completo			Stelaż wewnętrzny ramienia, komplet
0000102398	Tubo interior KUA-3			Rura wewnętrzna KUA-3
0000102399	Tubo exterior KUA-3			Rura zewnętrzna KUA-3
<b>KUA-4 (4 m)</b>				
0000101905	Manguera L=1000 mm/Ø 161 mm <sup>1)</sup>			Wąż L = 1000 mm/Ø 161 mm <sup>1)</sup>
0000102386	Bastidor interior KUA-4/H, completo			Stelaż wewnętrzny ramienia, komplet
0000102400	Tubo interior KUA-4			Rura wewnętrzna KUA-4
0000102401	Tubo exterior KUA-4			Rura zewnętrzna KUA-4
1)	<i>incl. 2 abrazaderas</i>			<i>w tym. 2 opaski zaciskowe</i>

Fig. IX Exploded view MonoGo | MonoGo<sup>plus</sup>



EN	Exploded view filter unit (MonoGo   MonoGo <sup>plus</sup> )
NL	Exploded view filterunit (MonoGo   MonoGo <sup>plus</sup> )
DE	Explosionszeichnung Filtereinheit (MonoGo   MonoGo <sup>plus</sup> )
FR	Vue éclatée de l'unité de filtration (MonoGo   MonoGo <sup>plus</sup> )
ES	Vista de despiece unidad de filtración (MonoGo   MonoGo <sup>plus</sup> )
IT	Visa esplosa unità filtrante (MonoGo   MonoGo <sup>plus</sup> )
PT	
PL	Widok jednostka filtracyjna (MonoGo   MonoGo <sup>plus</sup> )



MonoGo	*				
MonoGo <sup>plus</sup>	**				
		EN   Spare parts	NL   Reserveonderdelen	DE   Ersatzteile	FR   Pièces détachées
0000100583		Fan wheel FUA-3000 (IEC)	Ventilatorwiel FUA-3000 (IEC)	Ventilatorrad FUA-3000 (IEC)	Roue de ventilateur FUA-3000 (IEC)
0000111628	*	HEPA filter cassette 15 m <sup>2</sup>	HEPA filtercassette 15 m <sup>2</sup>	HEPA-Kassettenfilter 15 m <sup>2</sup>	Cassette filtrante HEPA 15 m <sup>2</sup>
0000111636	**	HEPA filter cassette 26 m <sup>2</sup>	HEPA filtercassette 26 m <sup>2</sup>	HEPA-Kassettenfilter 26 m <sup>2</sup>	Cassette filtrante HEPA 26 m <sup>2</sup>
0000111637		Pre filter cassette 1 m <sup>2</sup>	Voorfiltercassette 1 m <sup>2</sup>	Vorfilter-Kassette 1 m <sup>2</sup>	Préfiltre à cassette 1 m <sup>2</sup>
0000117114		Buzzer 230V	Zoemer 230V	Summer 230V	Ronfleur 230V
0000117121		Pressure switch (CE)	Drukschakelaar (CE)	Druckschalter (CE)	Interrupteur de pression (CE)
0000117141		Sealing L=1,9 m for door GoLine	Afdichtprofiel L=1,9 m voor deur GoLine	Abdichtgummi L=1,9 m für Tür GoLine	Profil d'étanchéité L=1,9 m pour porte GoLine
0000117142		Switch box 24V	Bedieningselement 24V	Bedienelement 24V	Boîtier interrupteur 24V
<b>115V/1ph/50Hz</b>					
0000117117		Service indicator (green / 115VAC)	Service-indicator (groen / 115VAC)	Wartungsanzeige (grün / 115VAC)	Indicateur de service (vert / 115VAC)
0000117128		Circuit breaker ST-1 15A	Stroomonderbreker ST-1 15A	Leistungsschalter ST-1 15A	Disjoncteur ST-1 15A
0000117135		Motor 1,1 kW (IEC) 115	Motor 1,1 kW (IEC) 115	Motor 1,1 kW (IEC) 115	Moteur 1,1 kW (IEC) 115
<b>230V/1ph/50Hz</b>					
0000117118		Service indicator (green / 230VAC)	Service-indicator (groen / 230VAC)	Wartungsanzeige (grün / 230VAC)	Indicateur de service (vert / 230VAC)
0000117129		Circuit breaker ST-1 10A	Stroomonderbreker ST-1 10A	Leistungsschalter ST-1 10A	Disjoncteur ST-1 10A
0000117136		Motor 1,1 kW (IEC) 215	Motor 1,1 kW (IEC) 215	Motor 1,1 kW (IEC) 215	Moteur 1,1 kW (IEC) 215
		ES   Piezas de recambio	IT   Pezzi di ricambio	PT	PL
0000100583		Rueda de ventilador FUA-3000 (IEC)	Ruota ventilatore FUA-3000 (IEC)	Roda de ventilador FUA-3000 (IEC)	Wirnik wentylatora FUA-3000 (IEC)
0000111628	*	Casete de filtro HEPA 15 m <sup>2</sup>			Kaseta filtra HEPA 15 m <sup>2</sup>
0000111636	**	Casete de filtro HEPA 26 m <sup>2</sup>			Kaseta filtra HEPA 26 m <sup>2</sup>
0000111637		Casete de prefiltrado 1 m <sup>2</sup>			Kaseta filtra wstępnego 1 m <sup>2</sup>
0000117114		Zumbador 230V	Cicalino 230V	Sinalizador acústico 230V	Brzęczyk 230V
0000117121		Presostato (CE)	Pressostato (CE)	Interruptor de pressão (CE)	Presostat (CE)
0000117141		Sellador L=1,9 m por puerta GoLine	Guarnizione L=1,9 m per porta GoLine		Uszczelnienie L=1,9 m do drzwi GoLine
0000117142		Caja de interruptores 24V	Scatola interruttori 24V		Wyłącznik 24V
<b>115V/1ph/50Hz</b>					
0000117117		Indicador de servicio (verde / 115VCA)	Indicatore di servizio (verde / 115VCA)	Indicador de serviço (verde / 115VCA)	Wskaźnik serwisowy (zielony / 115VAC)
0000117128		Disyuntor ST-1 15A	Interruttore di circuito ST-1 15A		Wyłącznik obwodu ST-1 15A
0000117135		Motor 1,1 kW (IEC) 115	Motore 1,1 kW (IEC) 115	Motor 1,1 kW (IEC) 115	Silnik 1,1 kW (IEC) 115
<b>230V/1ph/50Hz</b>					
0000117118		Indicador de servicio (verde / 230VCA)	Indicatore di servizio (verde / 230VCA)	Indicador de serviço (verde / 230VCA)	Wskaźnik serwisowy (zielony / 230VAC)
0000117129		Disyuntor ST-1 10A	Interruttore di circuito ST-1 10A		Wyłącznik obwodu ST-1 10A
0000117136		Motor 1,1 kW (IEC) 215	Motore 1,1 kW (IEC) 215	Motor 1,1 kW (IEC) 215	Silnik 1,1 kW (IEC) 215





